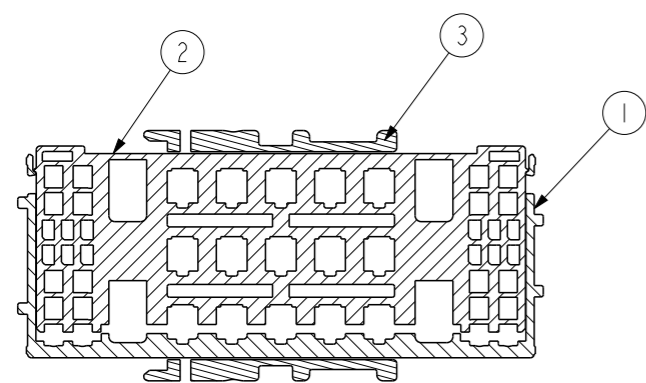


THIS DRAWING IS UNPUBLISHED. RELEASED FOR PUBLICATION
 © COPYRIGHT 19 BY - ALL RIGHTS RESERVED.

REVISIONS					
P	LTR	DESCRIPTION	DATE	DWN	APVD
A		RELEASED	26.DEC'11	DG	HG
B		REVISED(ECR-16-005580)	22.MAR'16	CH	HG
B1		REVISED(ECR-18-011019)	22OCT2018	CH	YJ
C		REVISED(ECR-20-009533)	09SEP2020	CH	YJ



SECTION A-A

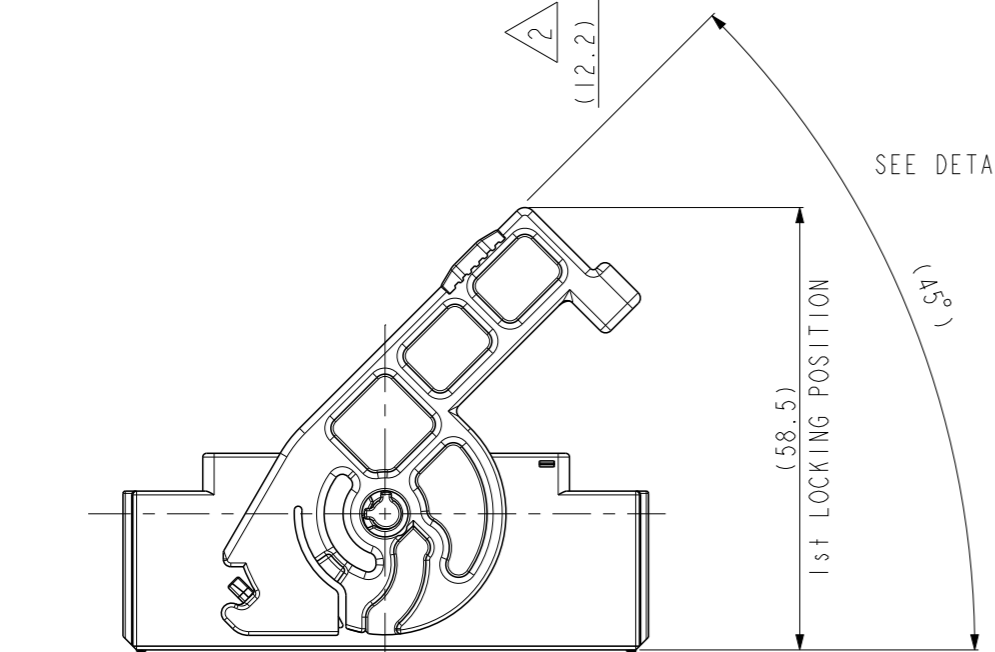
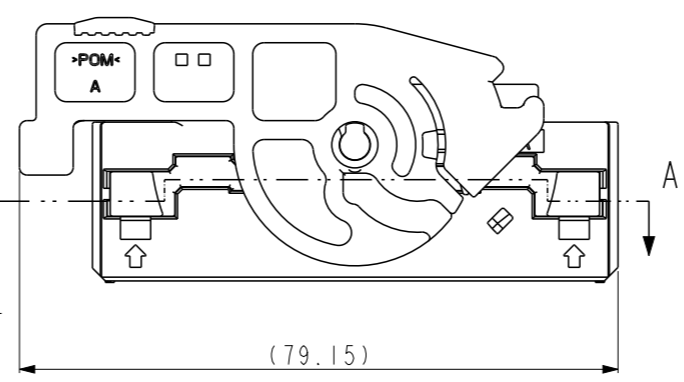
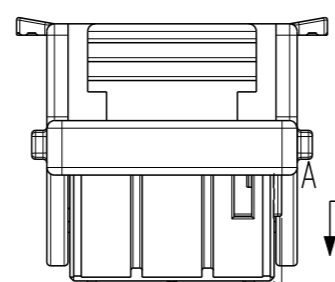
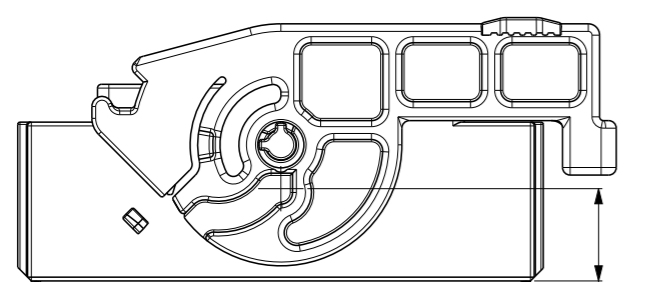
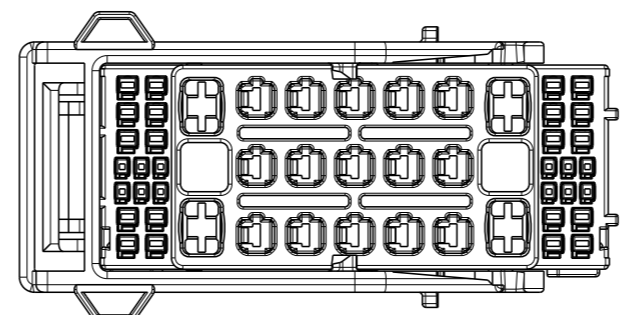


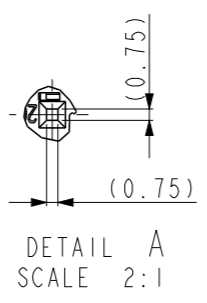
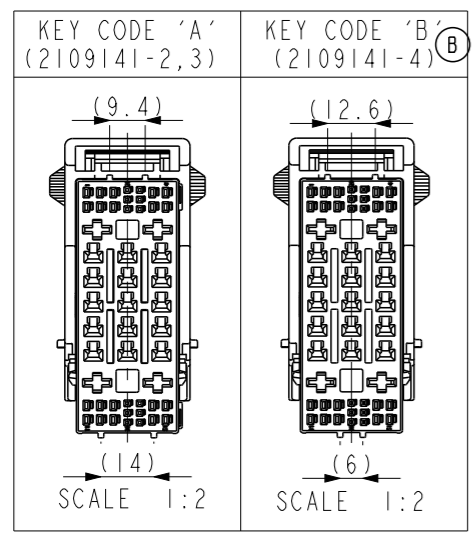
TABLE 1.

TYPE	FINISH	P/N	WIRE RANGE(mm ²)
.025 (12PCS)	PRE-TIN	2005097-1	0.22
		2005427-1	0.3~0.5
.060 (20PCS)	PRE-TIN	2109006-1	0.22~0.35
		2109006-2	0.5~0.75
		2109006-3	0.85~1.25
.110 (15PCS)	PRE-TIN	1743162-1	0.3~0.85
		1743163-1	1.25~2.0
		1743465-1	3.0
.250 (4PCS)	PRE-TIN	1241402-1	0.5~1.0
		1241404-1	1.0~2.5
		1241406-1	2.5~4.0

NOTE

- GENERAL TOLERANCE : ±0.3, ±3°
- CONDITION OF DELIVERY
- APPLICABLE CAP ASS'Y P/N : N/A
- APPLICABLE RECEPTACLE CONTACT P/N: TABLE 1

③	②	①	NO	FINISH/COLOR	MATERIAL	DESCRIPTION	Q'TY
				GRAY	POM	LEVER HSG	1
				WHITE	PBT	PLUG DBL HSG	1
				BROWN	PBT	PLUG HSG_KEY B	1
				GRAY	PBT	PLUG HSG	1
				BLACK	PBT	PLUG HSG	1



THIS DRAWING IS A CONTROLLED DOCUMENT.	
DIMENSIONS: mm	TOLERANCES UNLESS OTHERWISE SPECIFIED:
	0 PLC ±
	1 PLC ±
	2 PLC ±
	3 PLC ±
	4 PLC ±
	ANGLES ±
MATERIAL	FINISH

DWN CH CHO	 TE Connectivity
CHK KT LIM	
APVD HG CHO	
PRODUCT SPEC	
APPLICATION SPEC	NAME 025/060/110/250 HYBRID LIF 51P PLUG ASSY
WEIGHT	SIZE A3 CAGE CODE 00779 DRAWING NO C-2109141 RESTRICTED TO -
CUSTOMER DRAWING	SCALE 1:1 SHEET 1 OF 1 REV C