

4

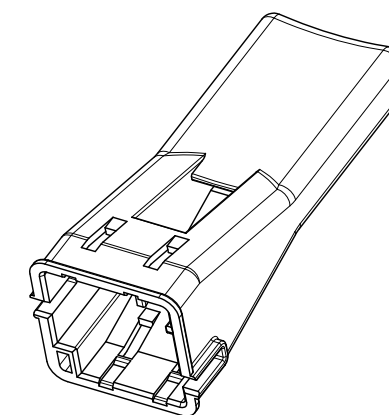
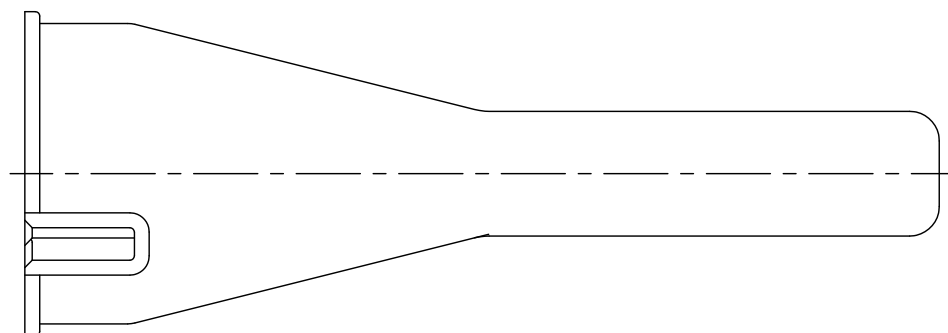
3

2

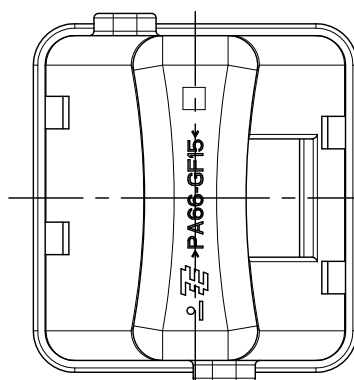
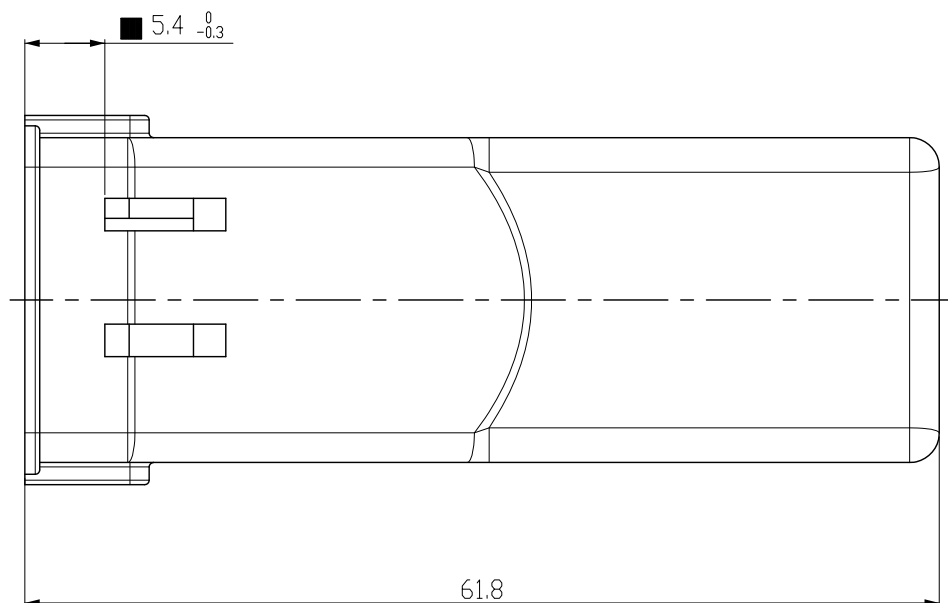
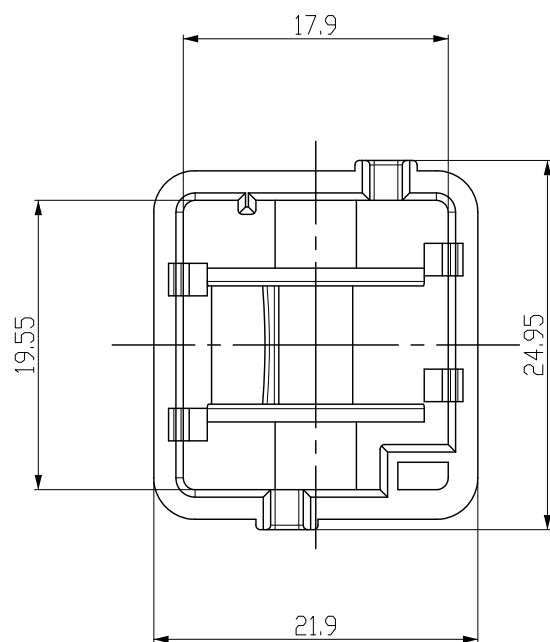
1

THIS DRAWING IS UNPUBLISHED. RELEASED FOR PUBLICATION
© COPYRIGHT 19 BY TYCO ELECTRONICS CORPORATION. ALL INTERNATIONAL RIGHTS RESERVED.

LOC	DIST	REVISIONS			
P	LTR	DESCRIPTION	DATE	DWN	APVD
DS	-				
	A	RELEASED	26.DEC'11	YH	HG
	A1	REVISED(KECR-12-015872)	06.SEP'12	YH	HG



3D VIEW
SCALE 1:1



NOTE
 1. GENERAL TOLERANCE : ±0.5 , ±3°
 2. APPLIED BULB HOLDER P/N: X-2109118-X

①	COLOR/FINISH	MATERIAL	DESCRIPTION	P/N
	GRAY	PA66-GF15	EXTENSION HSG	2109120-3
	BLACK	PA66-GF15	EXTENSION HSG	2109120-2

<small>THIS DRAWING IS A CONTROLLED DOCUMENT FOR TYCO ELECTRONICS CORPORATION IT IS SUBJECT TO CHANGE AND THE CONTROLLING ENGINEERING ORGANIZATION SHOULD BE CONTACTED FOR THE LATEST REVISION.</small>		DWN YH KIM CHK KT LIM APVD HG CHD PRODUCT SPEC - APPLICATION SPEC - WEIGHT -	NAME TE TE Connectivity LONG EXTENSION HSG FOR T20 SIZE A3 CAGE CODE 00779 DRAWING NO C-2109120 RESTRICTED TO -
DIMENSIONS: mm 	TOLERANCES UNLESS OTHERWISE SPECIFIED: 0 PLC ±- 1 PLC ±0.5 2 PLC ±0.13 3 PLC ±0.013 4 PLC ±0.0001 ANGLES ± MATERIAL - FINISH -	MATERIAL - FINISH -	SCALE 2:1 SHEET 1 OF 1 REV A1

control priority dimension ;
 ■ CRITICAL, ☒ MAJOR, □ MINOR