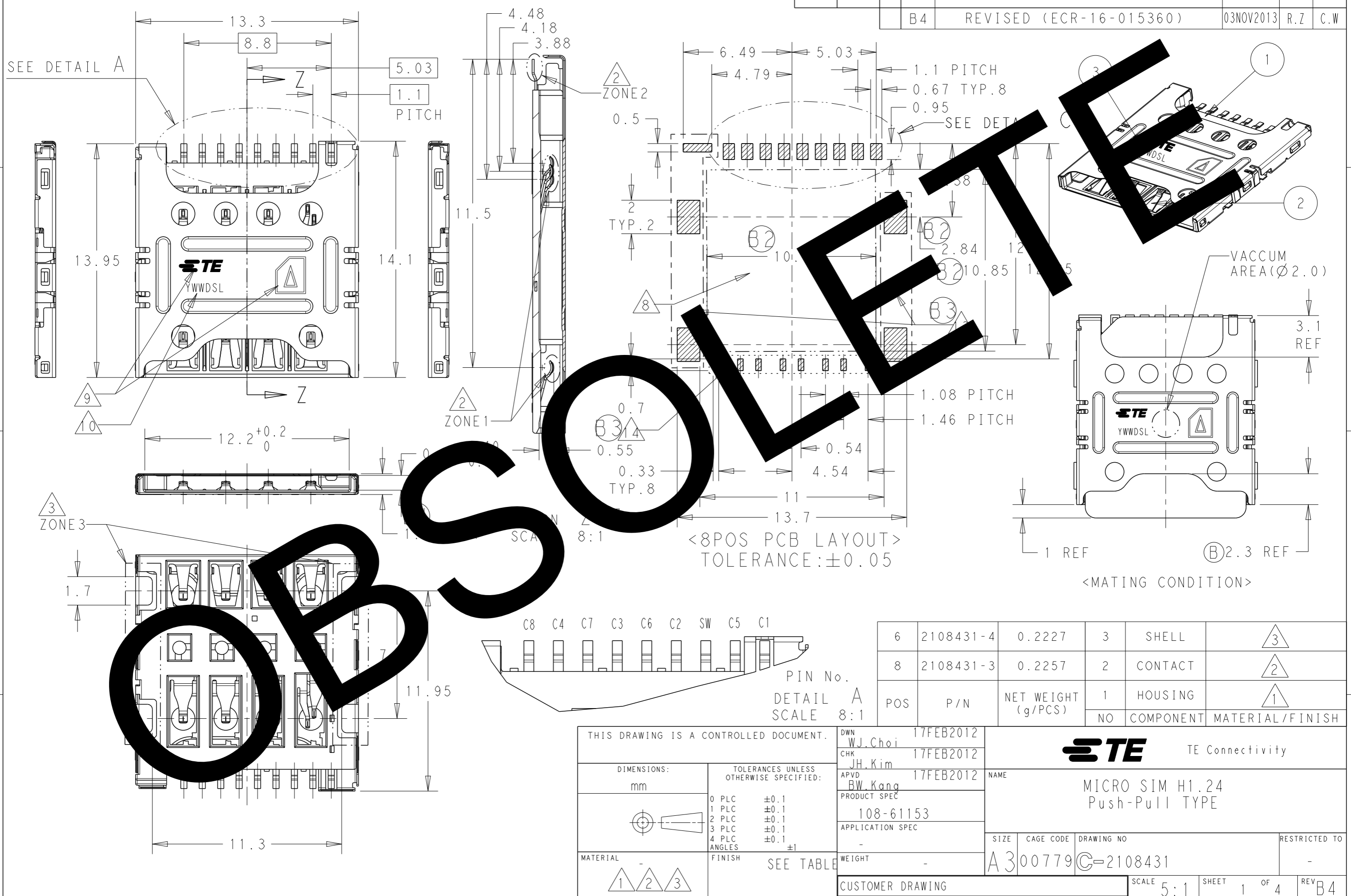


THIS DRAWING IS UNPUBLISHED. RELEASED FOR PUBLICATION 20  
 © COPYRIGHT 20 BY - ALL RIGHTS RESERVED.

LOC	DIST	REVISIONS			
P	LTR	DESCRIPTION	DATE	DWN	APVD
-	-	B4 REVISED (ECR-16-015360)	03NOV2013	R.Z	C.W



<8POS PCB LAYOUT>  
 TOLERANCE: ±0.05

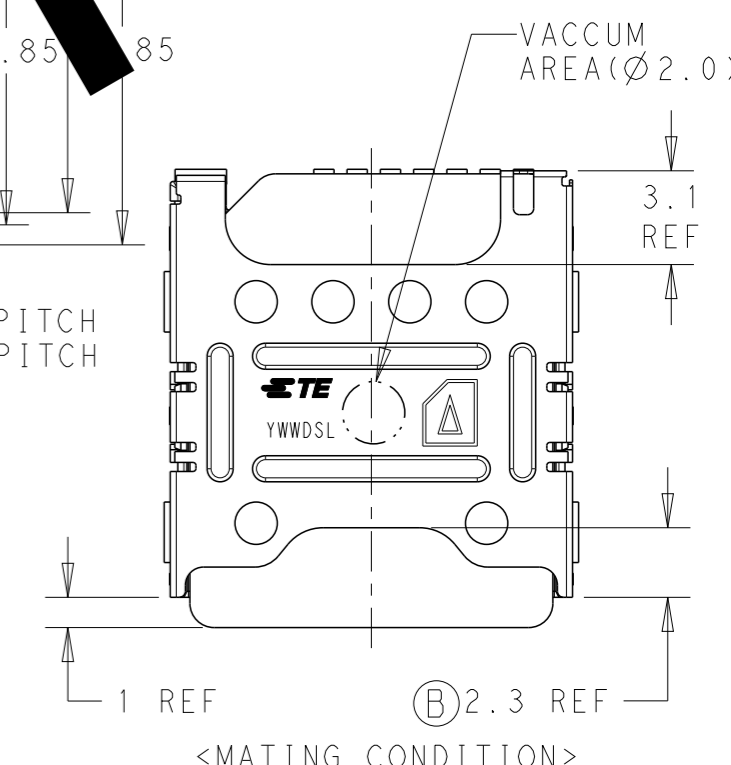
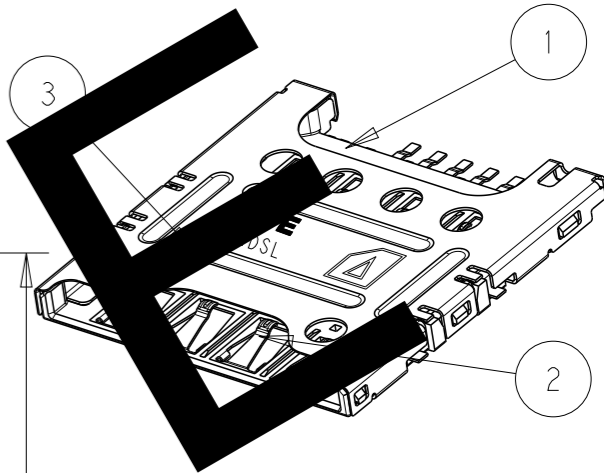
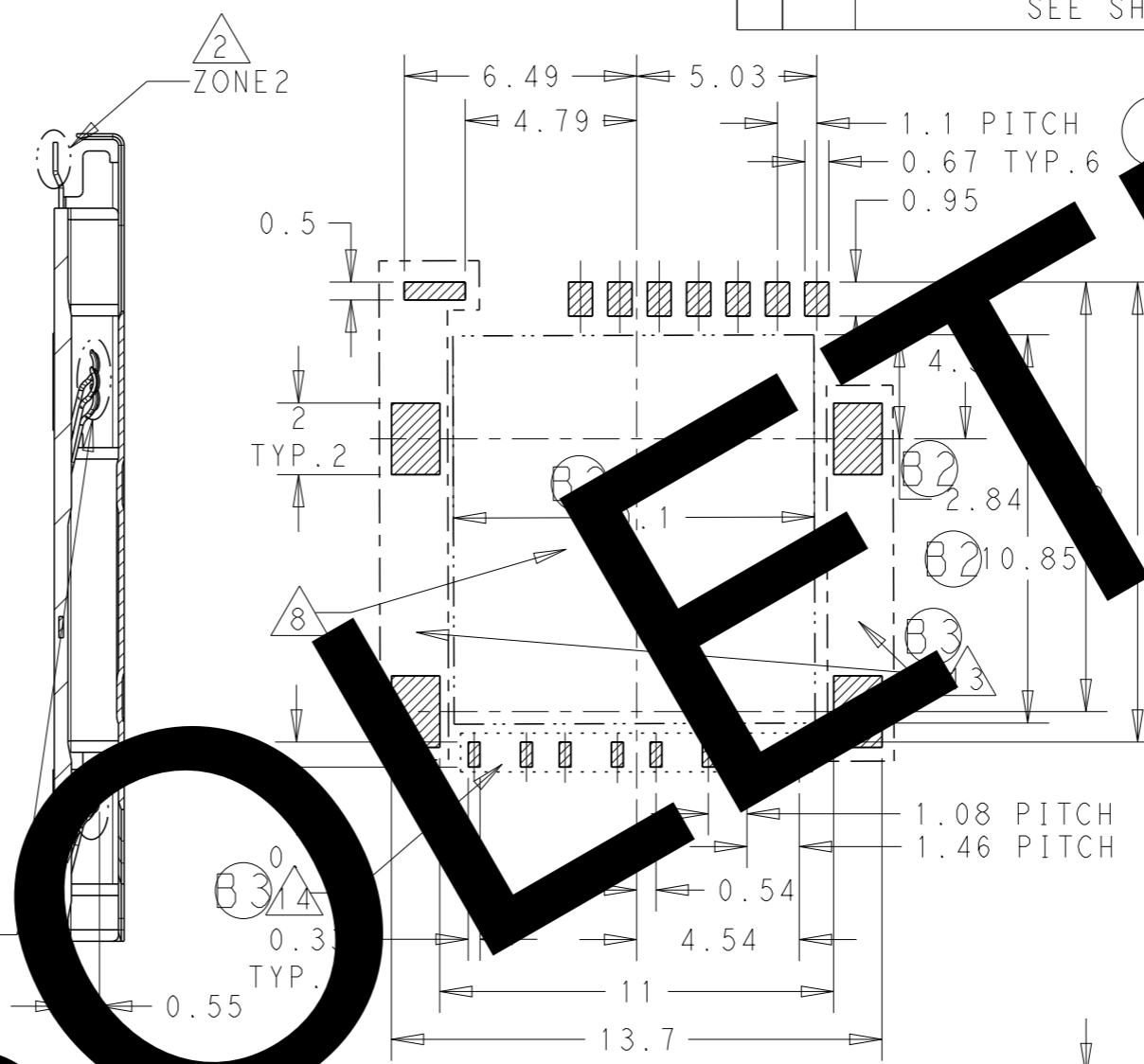
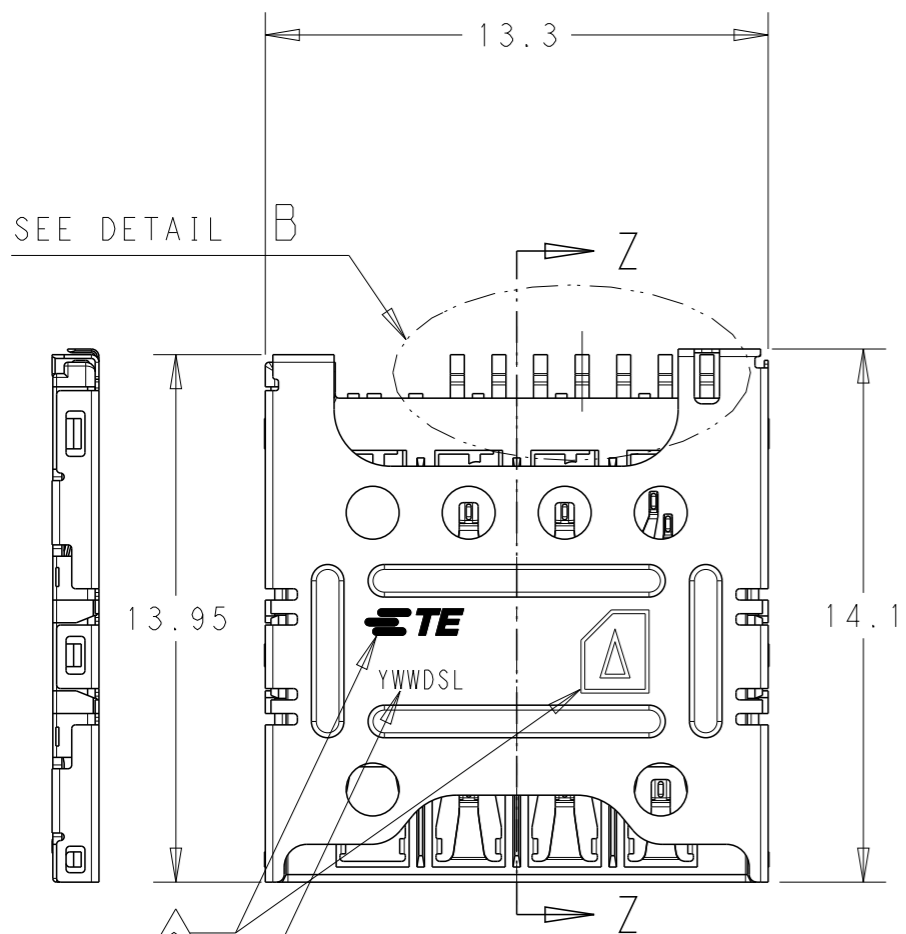
VACCU AREA (Ø2.0)

POS	P/N	NET WEIGHT (g/PCS)	NO	COMPONENT	MATERIAL/FINISH
6	2108431-4	0.2227	3	SHELL	△3
8	2108431-3	0.2257	2	CONTACT	△2
1			1	HOUSING	△1

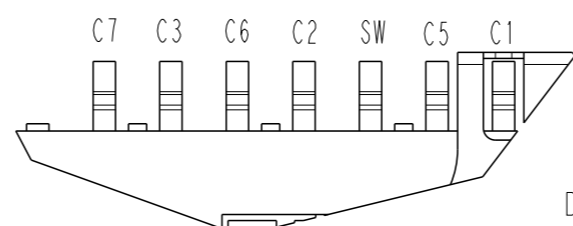
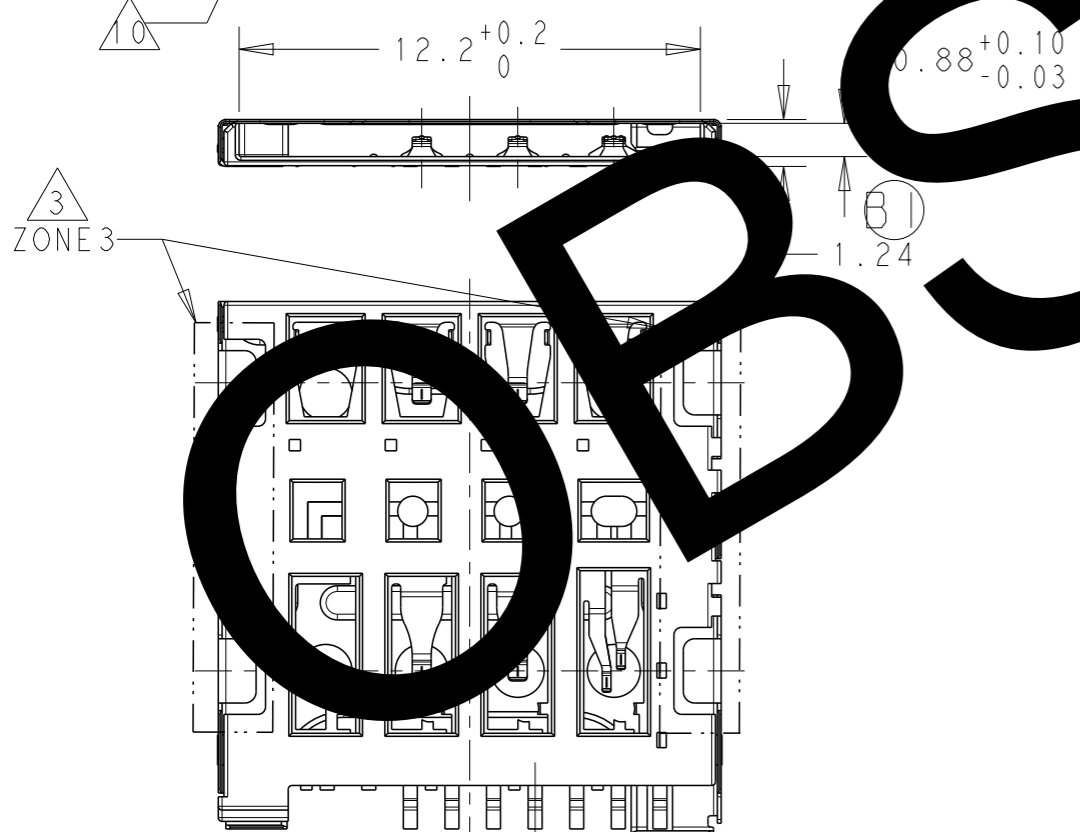
THIS DRAWING IS A CONTROLLED DOCUMENT.		DWN	17FEB2012
DIMENSIONS: mm		CHK	17FEB2012
TOLERANCES UNLESS OTHERWISE SPECIFIED:		APVD	17FEB2012
0 PLC	±0.1	PRODUCT SPEC	108-61153
1 PLC	±0.1	APPLICATION SPEC	-
2 PLC	±0.1	WEIGHT	-
3 PLC	±0.1	CUSTOMER DRAWING	
4 PLC	±0.1		
ANGLES	±1		
FINISH	SEE TABLE		
MATERIAL			
	△1 △2 △3		

TE Connectivity			
NAME: MICRO SIM H1.24 Push-Pull TYPE			
SIZE	CAGE CODE	DRAWING NO	RESTRICTED TO
A3	00779	C-2108431	-
SCALE 5:1		SHEET 1 OF 4	REV B4

P	LTR	DESCRIPTION	DATE	DWN	APVD
		SEE SHEET 1			



**SOLE LETTER**



PIN No.  
DETAIL B  
SCALE 8:1

NO	COMPONENT	MATERIAL/FINISH
3	SHELL	3
2	CONTACT	2
1	HOUSING	1

THIS DRAWING IS A CONTROLLED DOCUMENT.

DWN	WJ.Choi	17FEB2012
CHK	JH.Kim	17FEB2012
APVD	BW.Kang	17FEB2012
PRODUCT SPEC	108-61153	
APPLICATION SPEC	-	
WEIGHT	-	

TE Connectivity

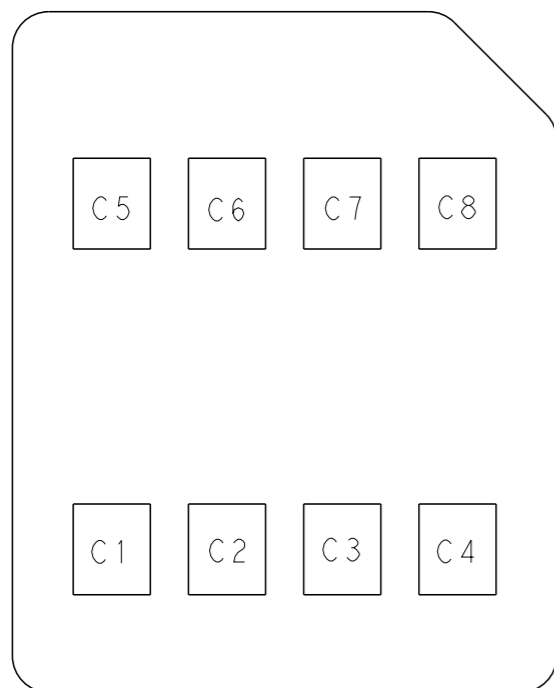
MICRO SIM 1.24  
Push-Pull TYPE

SIZE	CAGE CODE	DRAWING NO	RESTRICTED TO
A3	00779	C-2108431	-

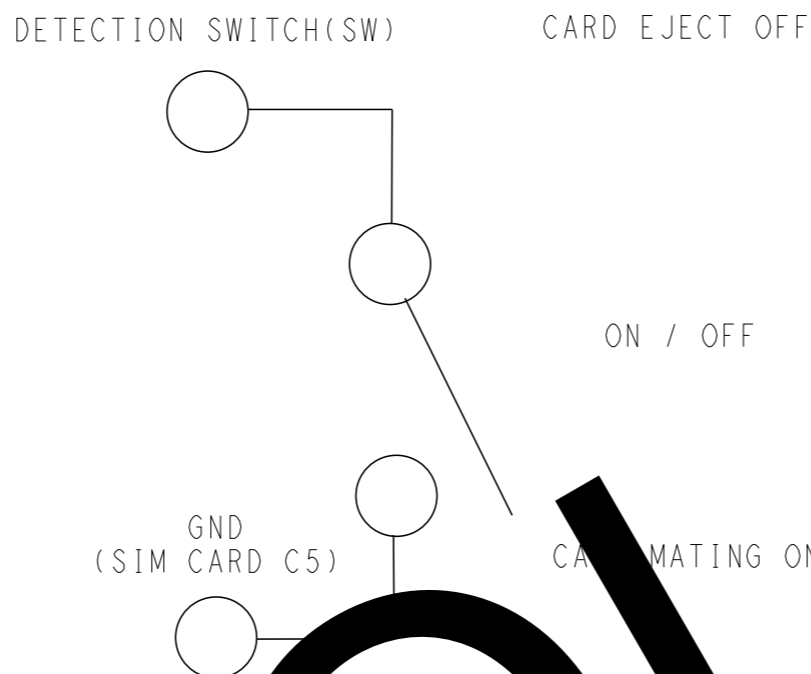
CUSTOMER DRAWING

SCALE 5:1 SHEET 2 OF 4 REV B4

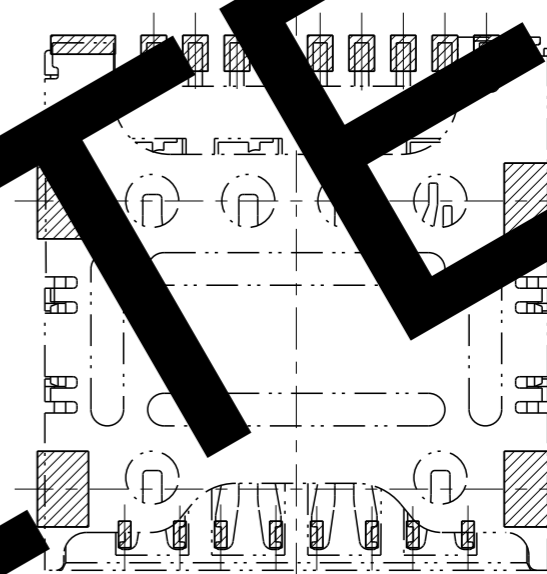
0.76±0.08



SIM CARD PAD LAYOUT



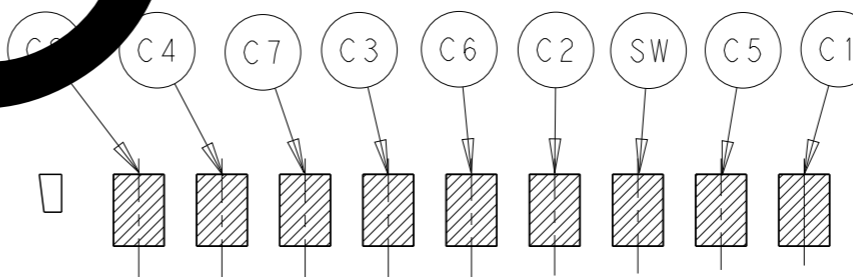
CIRCUIT DRAWING OF SWITCH



MATCH WITH PCB LAYOUT SCALE <5:1>


PIN No.	PIN NAME
SW	DETECTION SWITCH
	RESERVED
C7	I/O
C6	PP
	D
	RESERVED
C3	CLK
C2	RST
C1	VCC

SIM CARD PIN ASSIGNMENT



PCB LAYOUT (REFERENCE) (VIEW FROM CONNECTOR MOUNT SIDE)

DETAIL C SCALE 10:1

THIS DRAWING IS A CONTROLLED DOCUMENT.		DWN WJ.Choi 17FEB2012	 TE Connectivity	
DIMENSIONS: mm		CHK JH.Kim 17FEB2012		
TOLERANCES UNLESS OTHERWISE SPECIFIED:		APVD BW.Kang 17FEB2012	NAME MICRO SIM 1.24 Push-Pull TYPE	
0 PLC ±0.1	FINISH SEE TABLE	PRODUCT SPEC 108-61153	DRAWING NO. C-2108431	
1 PLC ±0.1		APPLICATION SPEC -	SIZE A3	CAGE CODE 00779
2 PLC ±0.1		WEIGHT -	RESTRICTED TO -	
3 PLC ±0.1		CUSTOMER DRAWING	SCALE 6:1	
4 PLC ±0.1			SHEET 3 OF 4	
ANGLES ±1		REV B4		

THIS DRAWING IS UNPUBLISHED.

RELEASED FOR PUBLICATION

20

© COPYRIGHT 20 BY -

ALL RIGHTS RESERVED.

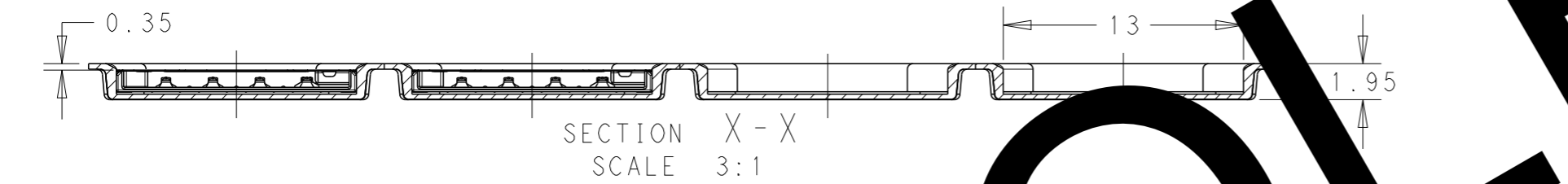
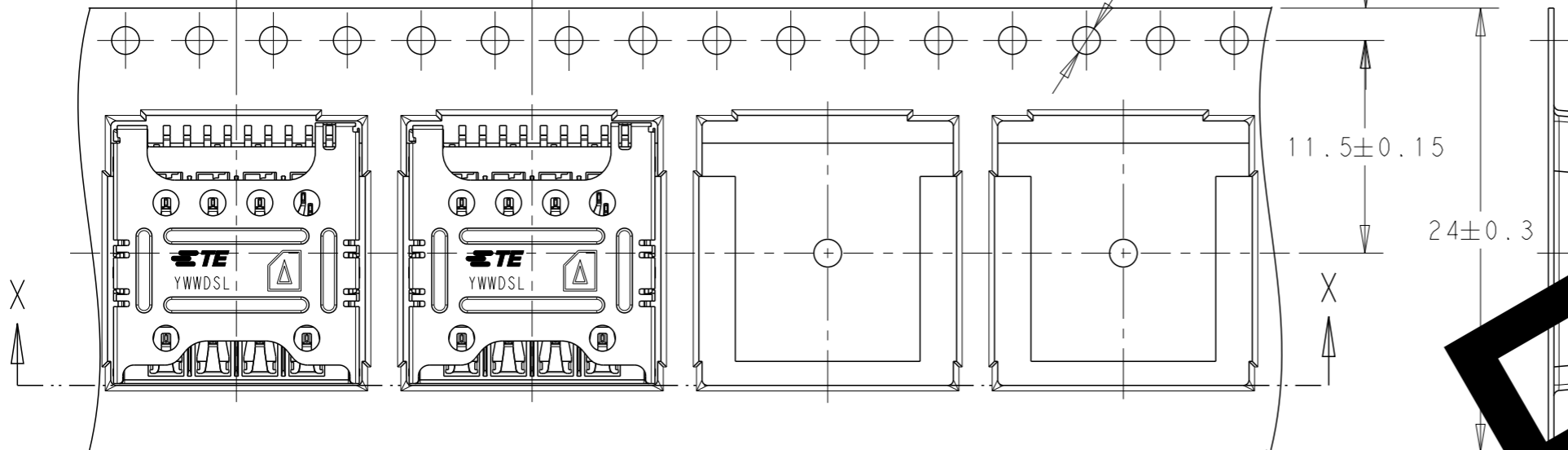
LOC - DIST -

REVISIONS

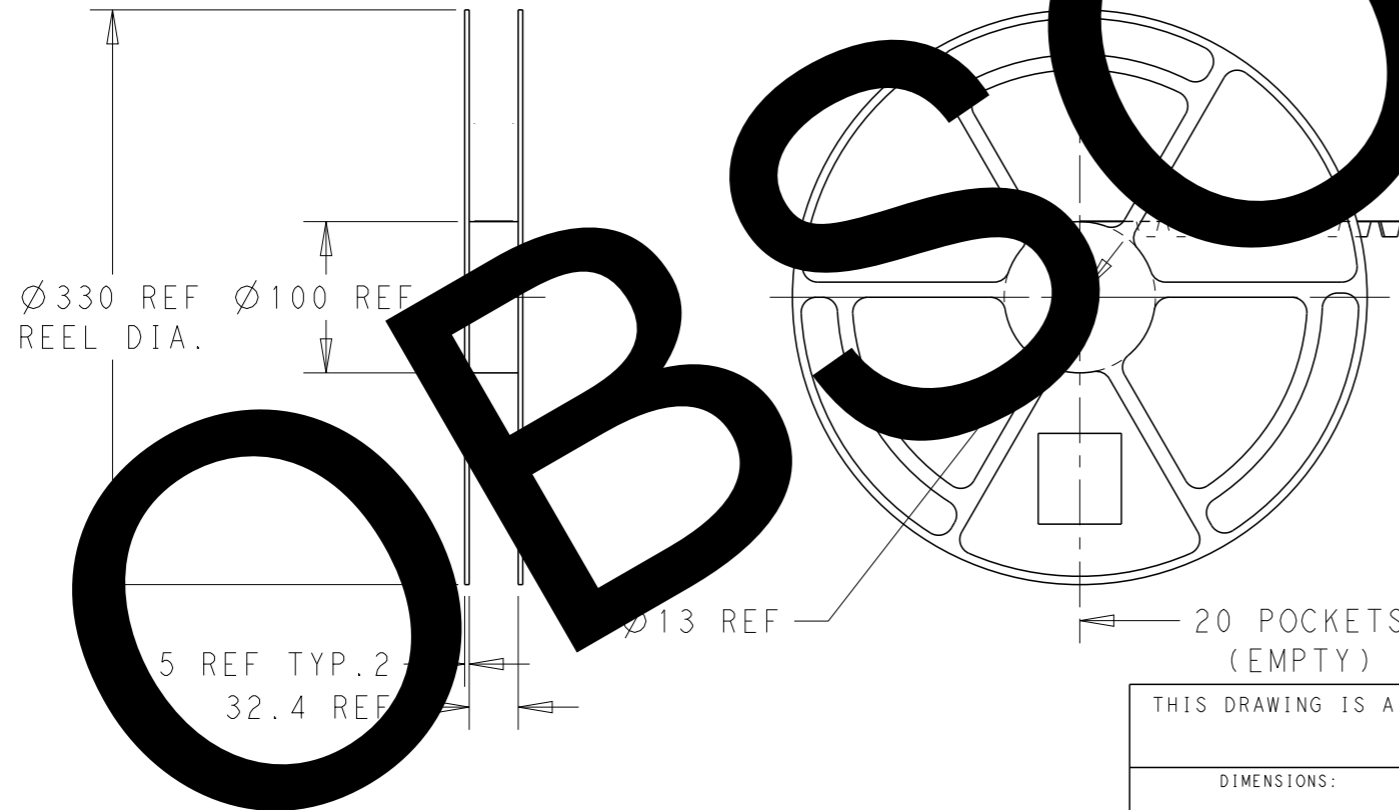
P	LTR	DESCRIPTION	DATE	DWN	APVD
		SEE SHEET 1			



1. HOUSING MATERIAL : THERMO PLASTIC RESIN.
2. CONTACT MATERIAL : COPPER ALLOY.  
FINISH : 1.3um MIN. NICKEL PLATING ALL OVER,  
GOLD PLATING 0.3um MIN. ZONE 1,  
GOLD PLATING 0.3um MIN. ZONE 2.
3. SHELL MATERIAL : STAINLESS STEEL.  
FINISH : 1.3um MIN. NICKEL UNIFORM PLATING ALL OVER,  
TI PLATING 0.3um MIN. ZONE 3.
4. COPLANARITY : 0.15 MAX
5. COPLANARITY MEASURED ON 8 CONTACTS & 5 CLIP PEGS IN ONE PASS.
6. DIMENTION MEASURED FROM PLASTIC TO CENTER OF CLIP PEGS.
7. BROKEN BURR IS NOT PERMITTED.
8. NO STRIP-LINE AREA
9. TE LOGO, CARD INSERTION LOGO
10. DATE : YWDSL (YEAR, WEEK, DAY, SHIFT, LINE)
11. MUST NOT CONTAIN ANY SUBSTANCE WHICH ARE SPECIFIED IN (OGA-2049)
12. PACKING QUANTITY : 2000PCS/REEL
13. GROUND PATTERN
14. THIS PATTERN IS NOT GROUND. IT IS ONLY FLOTING PATTERN.



400mm REF  
FEEDING THE COVER TAPE.



WITH PRODUCT CHARGE 2000EA/1REEL

20 POCKETS (EMPTY)

THIS DRAWING IS A CONTROLLED DOCUMENT.

DIMENSIONS: mm	TOLERANCES UNLESS OTHERWISE SPECIFIED:
	0 PLC ±0.2 1 PLC ±0.2 2 PLC ±0.2 3 PLC ±0.2 4 PLC ±0.2 ANGLES ±1
MATERIAL	FINISH SEE TABLE

DWN	WJ.Choi	17FEB2012
CHK	JH.Kim	17FEB2012
APVD	BW.Kang	17FEB2012
PRODUCT SPEC	108-61153	
APPLICATION SPEC	-	
WEIGHT	-	

TE Connectivity		NAME	
		MICRO SIM H1.24 Push-Pull TYPE	
SIZE	CAGE CODE	DRAWING NO	RESTRICTED TO
A3	00779	C-2108431	-

CUSTOMER DRAWING SCALE 5:1 SHEET 4 OF 4 REV B4