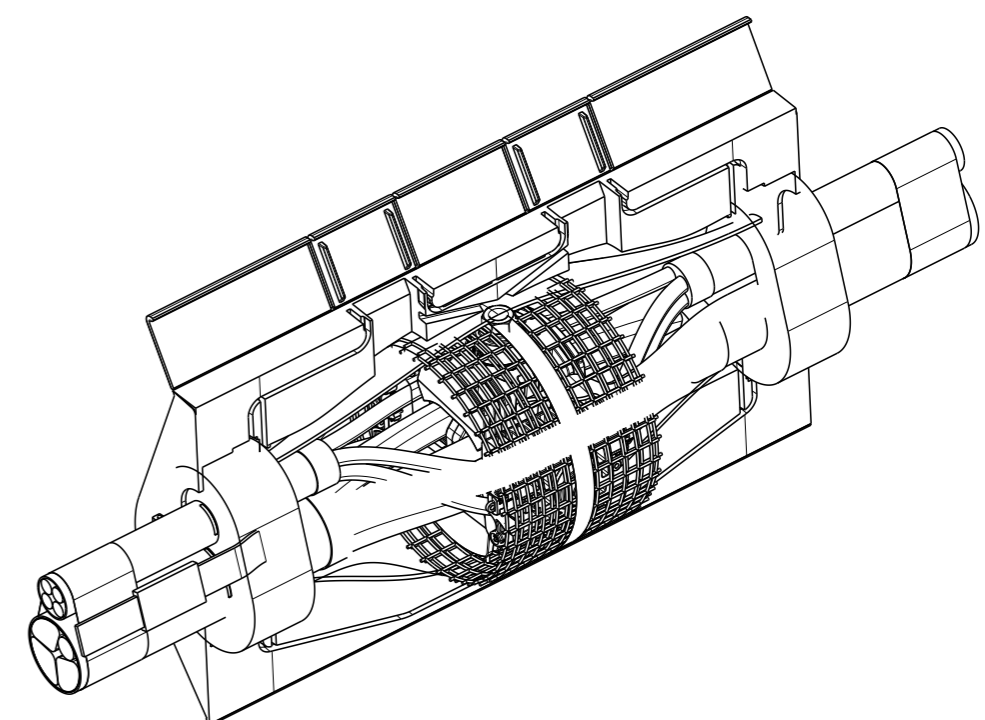
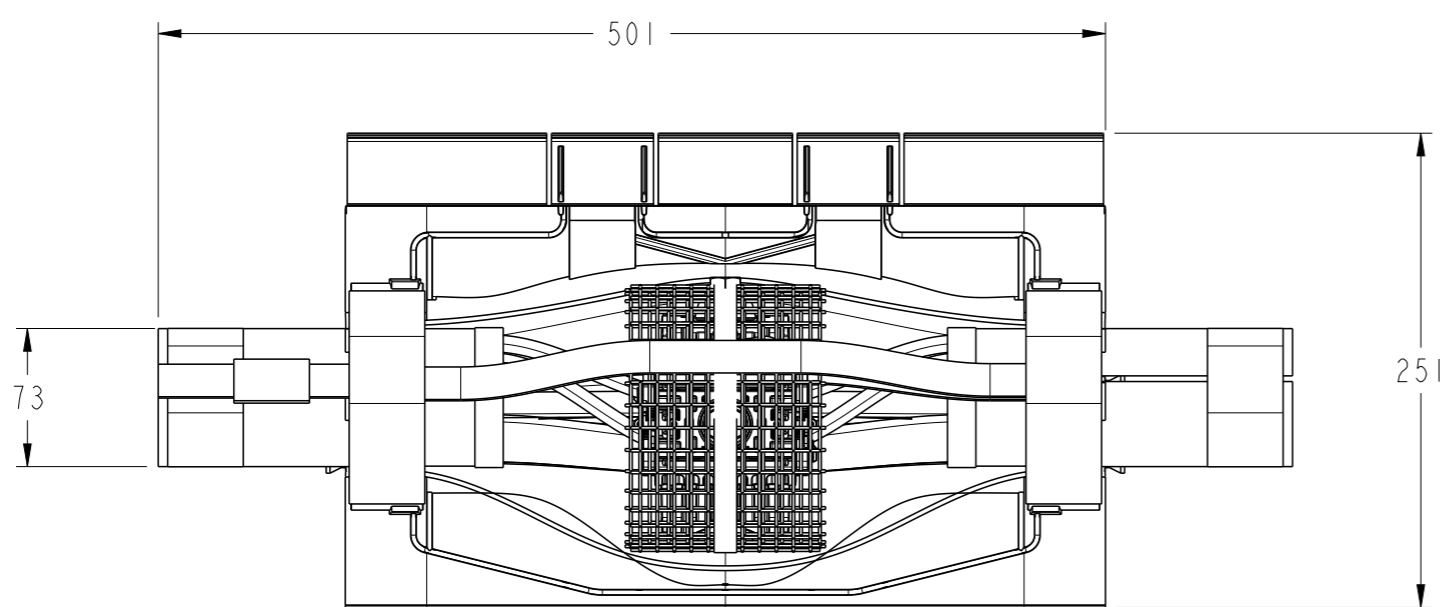
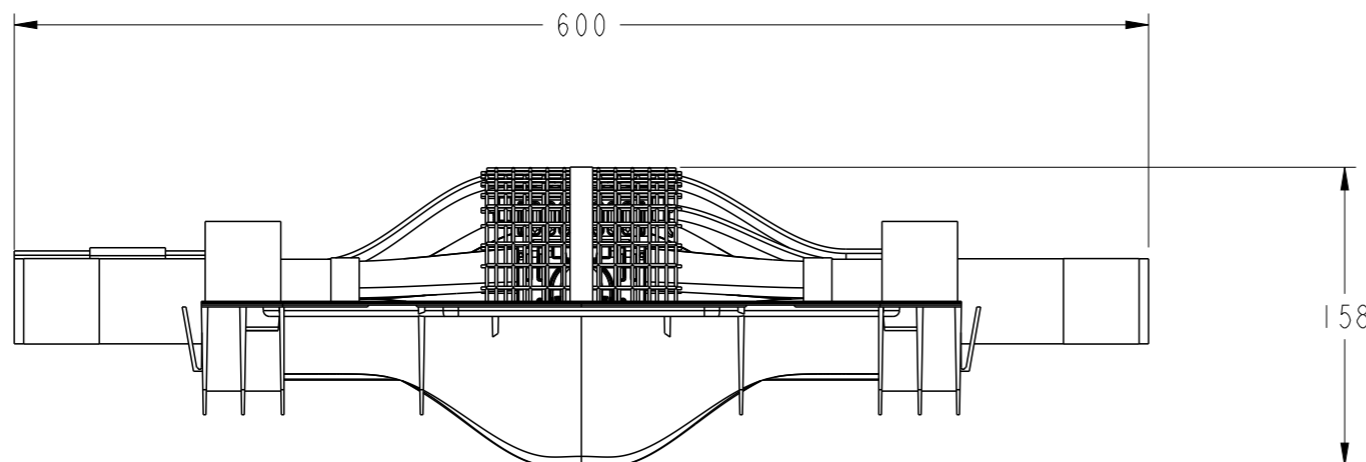


P	LTR	DESCRIPTION	DATE	DWN	APVD
	A	NEW DRAWING	26FEB2021	RS	JL



REFERENCE	PN	CODET ENEDIS	CAPACITY MAIN	CAPACITY TAP	BOX TYPE
DDC 240-35 v2006	2107713-1	67 90 253	50-240mm ²	10-35mm ²	POURED RESIN SERVICE BOX WITH DOUBLE TAPS
SDC 240-35 v2006	2107713-2	67 90 254	50-240mm ²	10-35mm ²	POURED RESIN SERVICE BOX WITH SINGLE TAP

THIS DRAWING IS A CONTROLLED DOCUMENT.

DWN RAVI.S 26FEB2021
 CHK B.MILLOT 26FEB2021
 APVD J.LARDEAU 26FEB2021



DIMENSIONS:	TOLERANCES UNLESS OTHERWISE SPECIFIED:
mm	
	0 PLC ±0
	1 PLC ±0
	2 PLC ±0
	3 PLC ±0
	4 PLC ±0
	ANGLES ±-

MATERIAL	FINISH
-	-
-	-

PRODUCT SPEC -
 APPLICATION SPEC -
 WEIGHT -

NAME	SIZE	CAGE CODE	DRAWING NO	RESTRICTED TO
DDC 240-35 v2006 SDC 240-35 v2006 DOUBLE ET SIMPLE DERIVATION COULEE DE BRANCHEMENT	A3	00779	C-2107713	

CUSTOMER DRAWING	SCALE	SHEET	OF	REV
	1:4	1	1	A