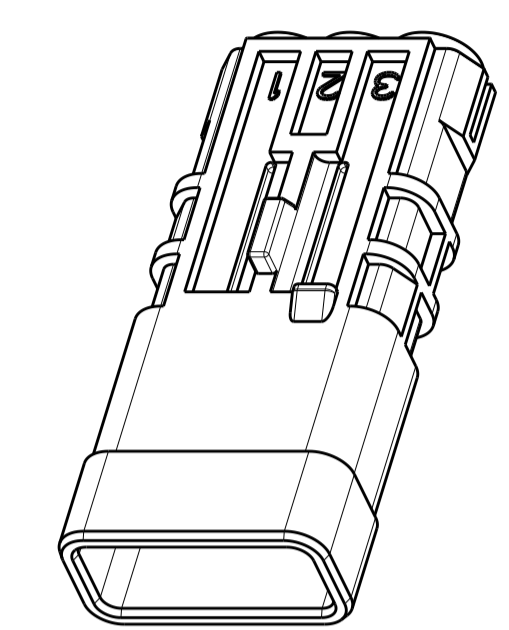
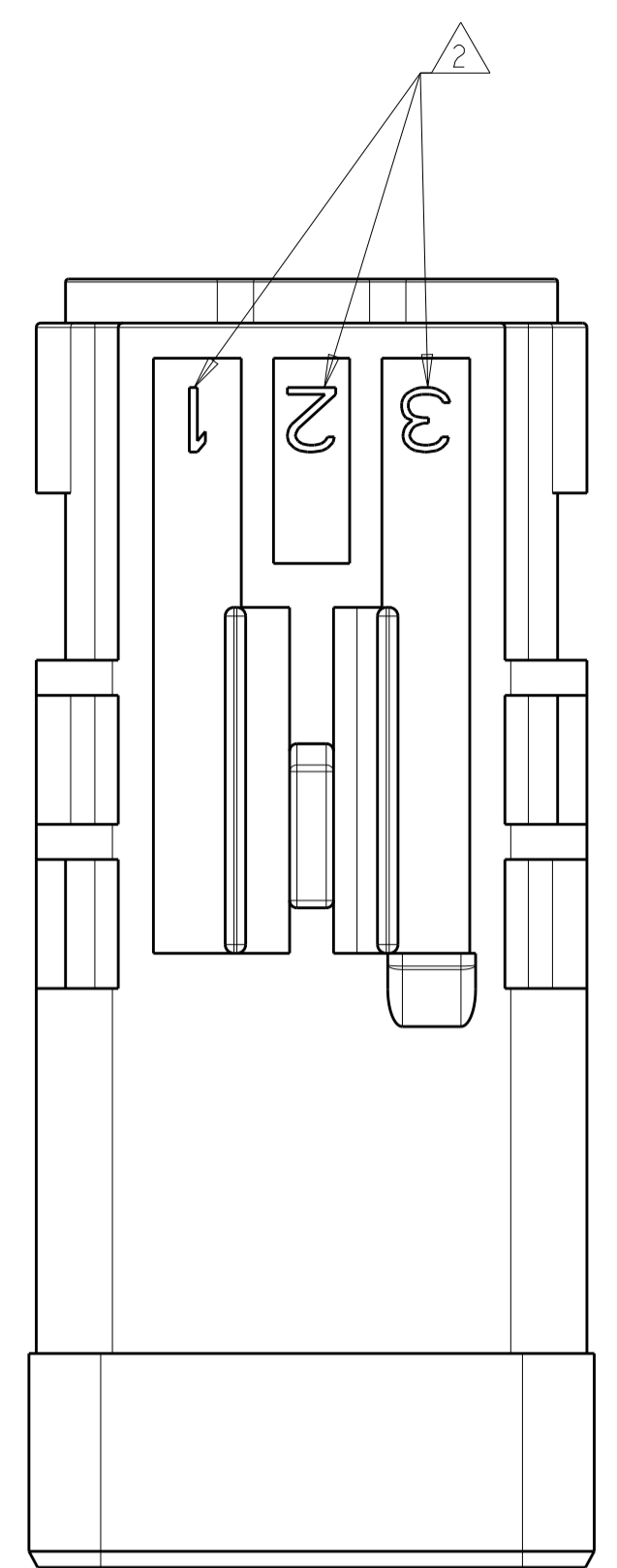
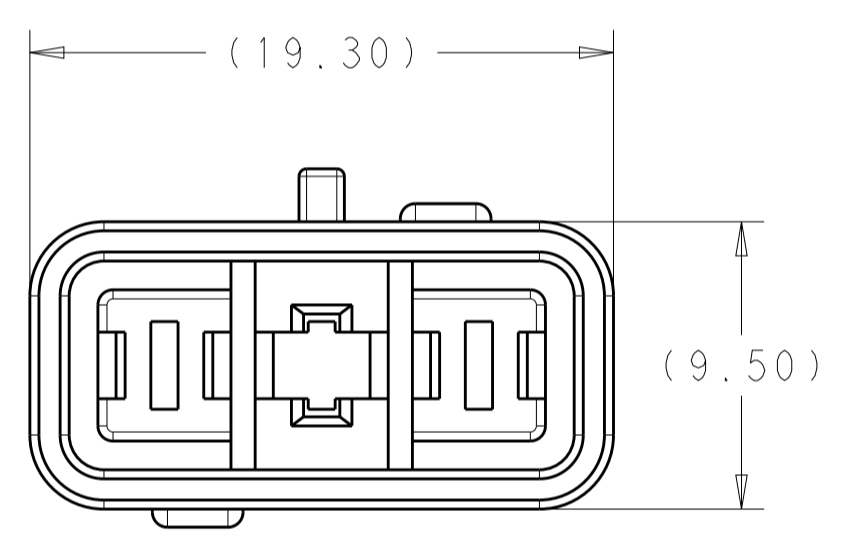
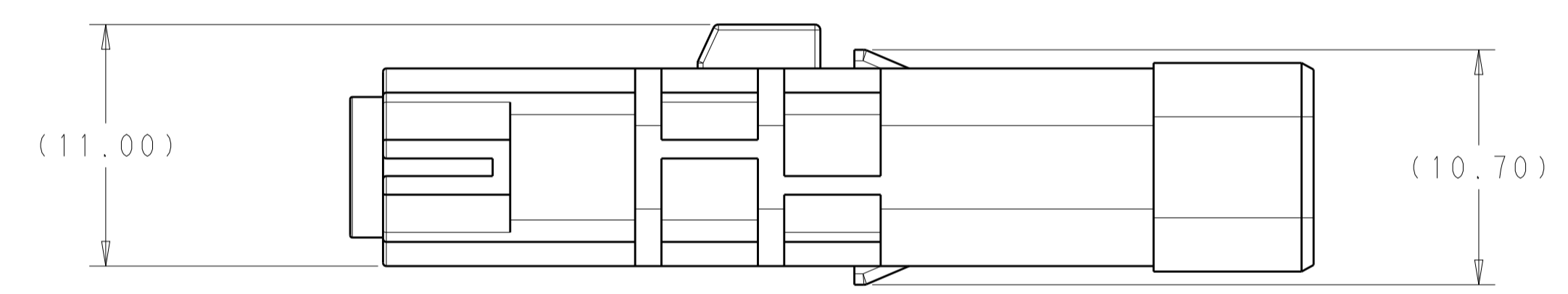


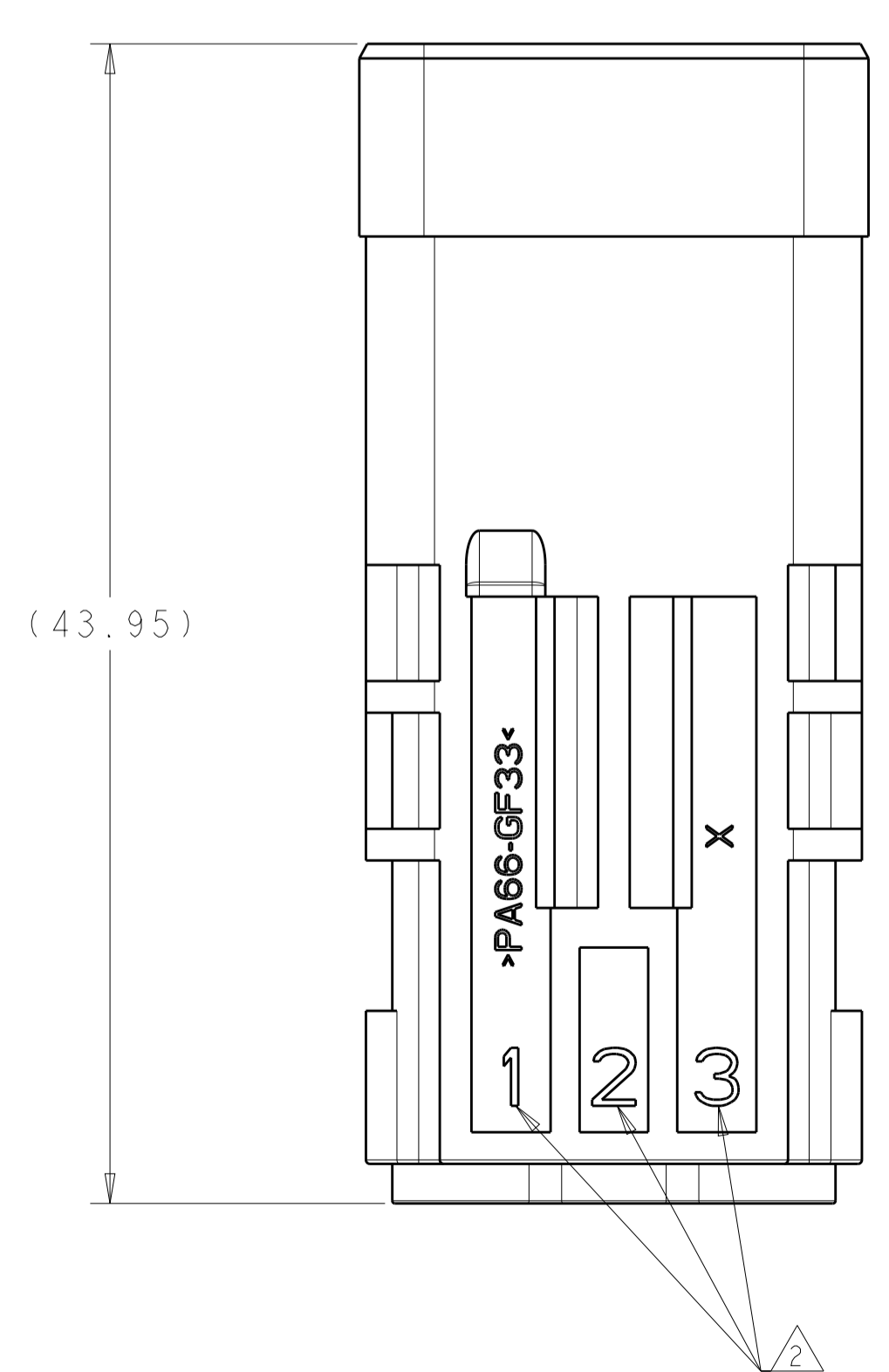
| REVISIONS | | | | |
|-----------|------|-----------------|-----------|-------|
| P. | LTN. | DESCRIPTION | DATE | APVD. |
| A | | INITIAL DRAWING | 25SEP2014 | AD AD |
| | | | | |
| | | | | |



SCALE 2:1



SCALE 4:1



△ MATERIAL:
 TYPE: PA66 33%GF
 COLOR: NATURAL

△ CIRCUIT ID

| | |
|---------------------------|-----------|
| INNER HOUSING, 3 POSITION | 2103236-1 |
| DESCRIPTION | PART NO. |

| | | | |
|--|--|--|--|
| THIS DRAWING IS A CONTROLLED DOCUMENT. | | DWN: A. DEHAZAL 26-Sep-14 CHK: A. DEHAZAL 25SEP2014 APVD: A. DEHAZAL 25SEP2014 | NAME: INNER HOUSING, CAP, HVA280-3PM PRODUCT SPEC: - APPLICATION SPEC: - |
| DIMENSIONS: mm | TOLERANCES UNLESS OTHERWISE SPECIFIED: 0 PLC ±0.2 1 PLC ±0.10 2 PLC ±0.050 3 PLC ±0.0001 ANGLES ±0.0001 | SIZE: A CAGE CODE: 100779 DRAWING NO: 2103236 | RESTRICTED TO: - SCALE: 3:1 SHEET: 1 OF 1 REV: A |
| MATERIAL: - | FINISH: - | WEIGHT: - | CUSTOMER DRAWING |