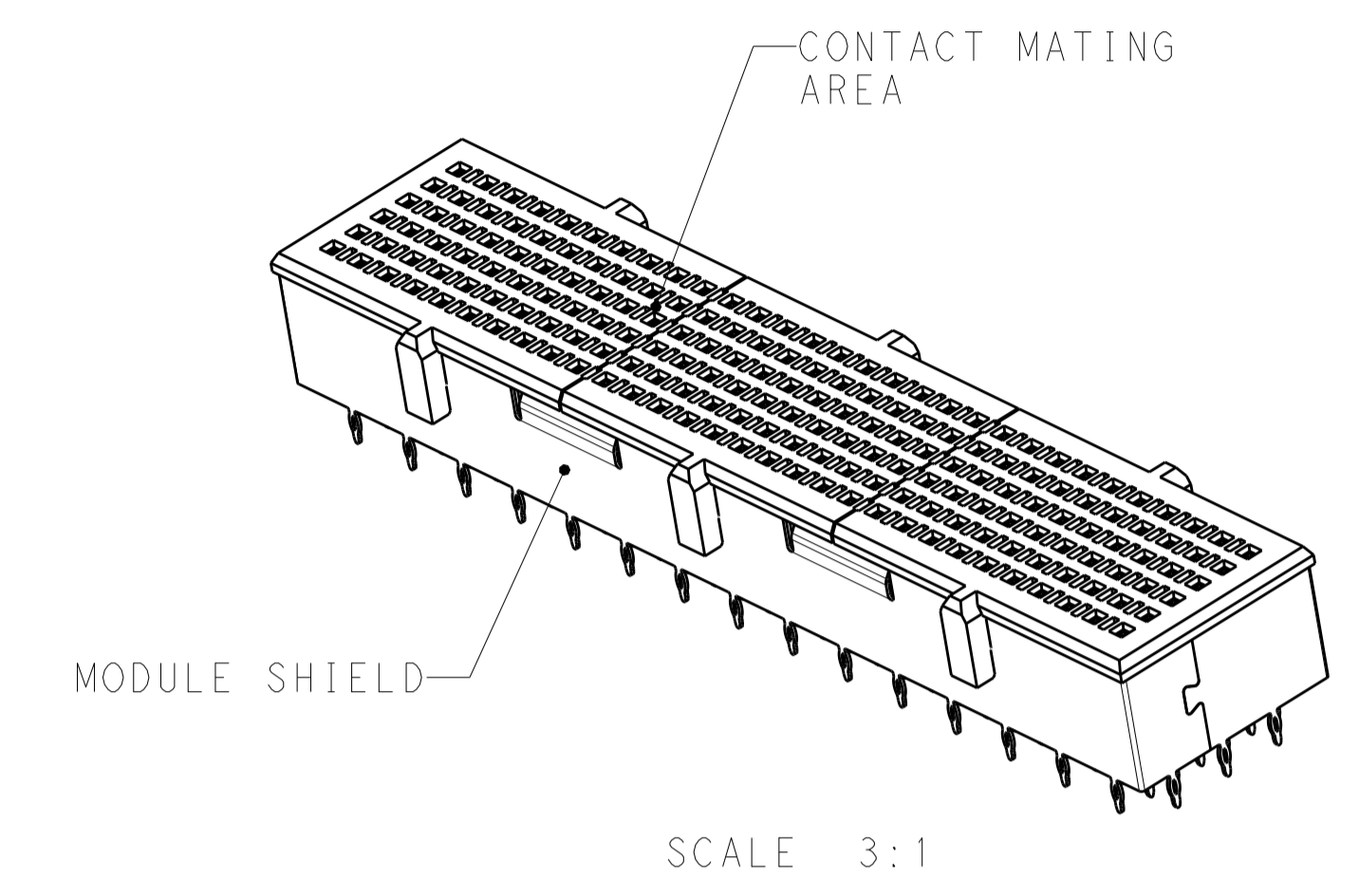
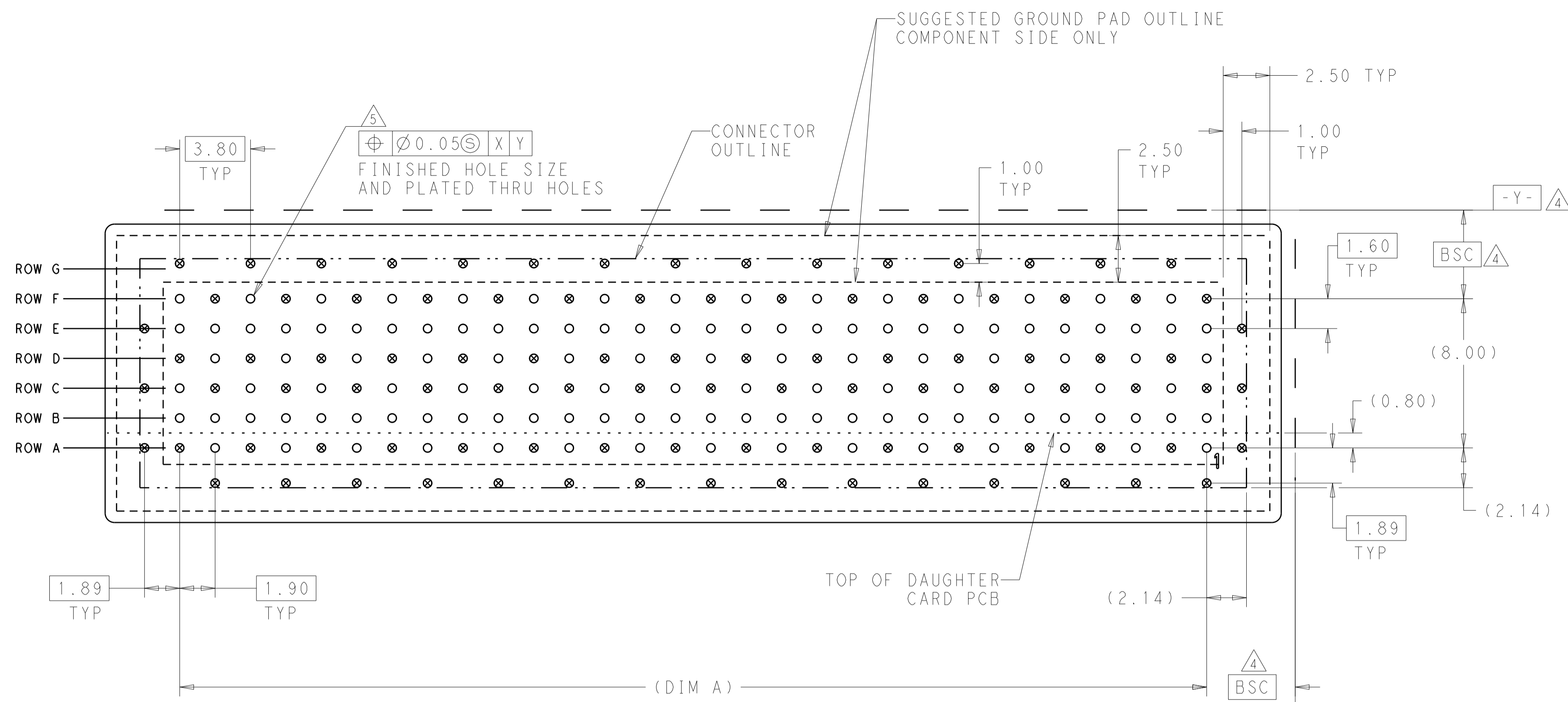
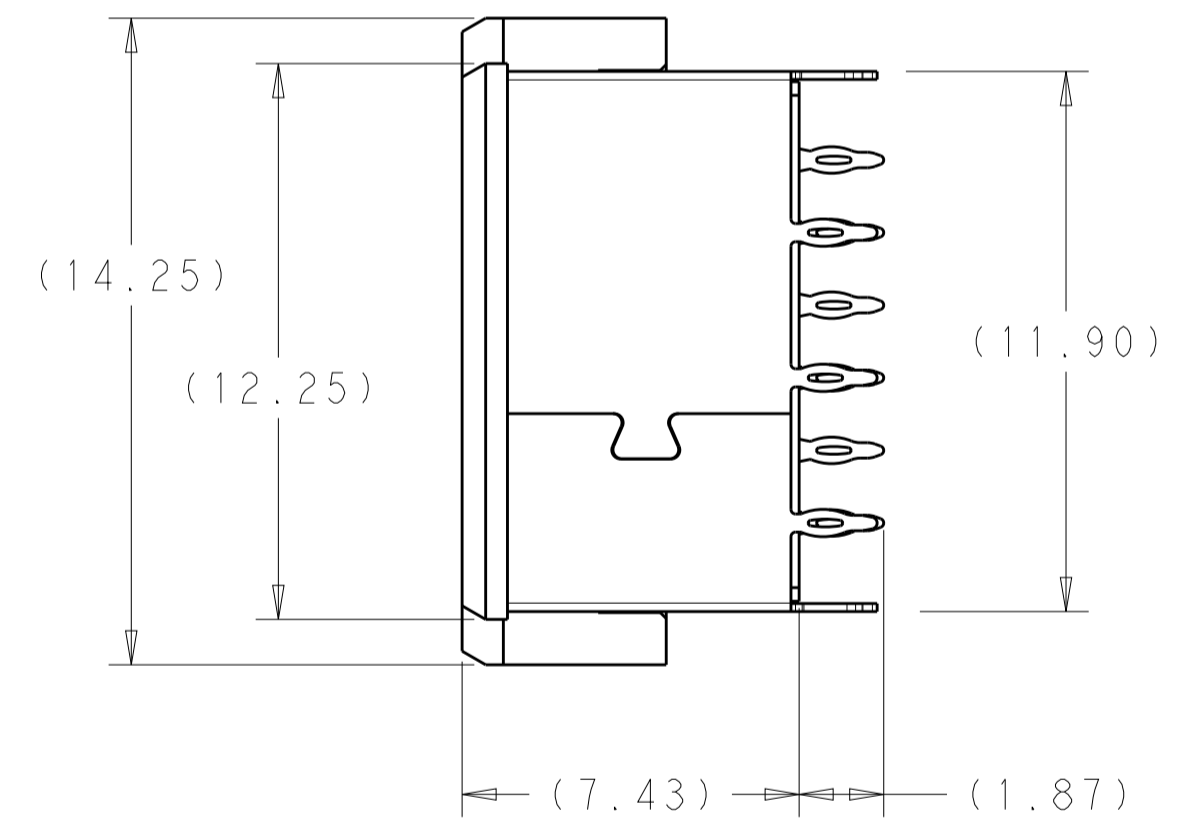
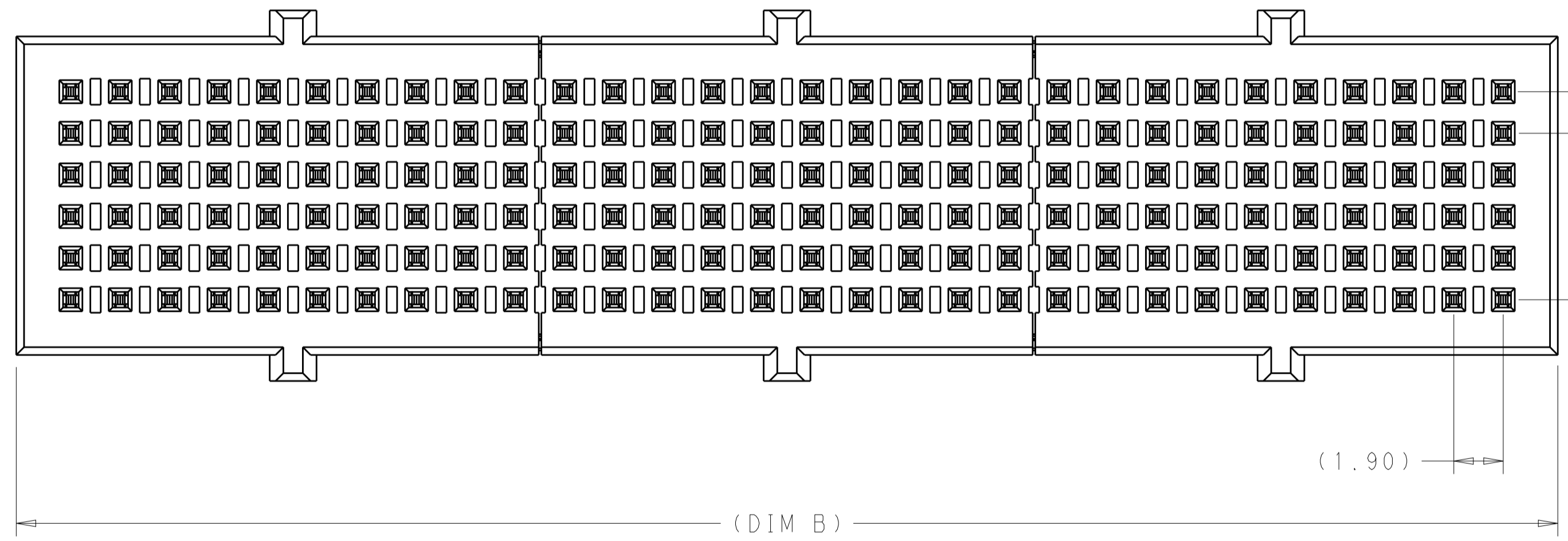


REVISIONS					
P.	LTN	DESCRIPTION	DATE	DMN	APVD
A		RELEASED PER ECO 18-002864	2-26-18	CT	DH



○ = SIGNAL
 ⊗ = GROUND
 RECOMMENDED PC BOARD LAYOUT
 COMPONENT SIDE SHOWN
 SCALE 6:1



1 MATERIAL:
 CONTACT - BERYLLIUM COPPER ALLOY
 HOUSING - BLACK LCP
 SHIELD - NICKEL SILVER PER UNS C77000

2 FINISH:
 MATING AREA: 1.27µm MIN GOLD OVER
 3.81µm MIN NICKEL
 COMPLIANT PIN AREA: 0.5µm MIN 93/7 SnPb OVER
 1.27µm MIN NICKEL

3 FINISH:
 MATING AREA: 1.27µm MIN GOLD OVER
 3.81µm MIN NICKEL
 COMPLIANT PIN AREA: 0.5µm MIN Sn OVER
 1.27µm MIN NICKEL

4 DATUMS AND BASIC DIMENSIONS ESTABLISHED BY CUSTOMER.

5 REFERENCE APPLICATION SPEC 114-13267 FOR RECOMMENDED PLATING THRU HOLE DIAMETER AND PLATING THICKNESS.

~WEIGHT (g)	DIM "B"	DIM "A"	COMPLIANT PIN PLATING	DESCRIPTION	DIFF PAIRS	PART NUMBER
6.12	40.30	36.10	3	20 COLUMN	40	2-2102516-2
3.35	21.30	17.10	3	10 COLUMN	20	2-2102516-1
6.12	40.30	36.10	2	20 COLUMN	40	2102516-2
3.35	21.30	17.10	2	10 COLUMN	20	2102516-1

THIS DRAWING IS A CONTROLLED DOCUMENT. DWN 09AUG2011
 CHG Brent D. Tohn
 A. TSANG
 APVD M. R. McALONIS
 PRODUCT SPEC 108-2409
 APPLICATION SPEC 114-13267
 WEIGHT SEE TABLE A100779
 CUSTOMER DRAWING

STE TE Connectivity
 NAME Fortis Zd, 2-PAIR, VERTICAL SHIELDED MODULE ASSEMBLY
 SIZE CAGE CODE DRAWING NO. RESTRICTED TO
 SCALE 6:1 SHEET 1 OF 1 REV A