

THIS DRAWING IS UNPUBLISHED.

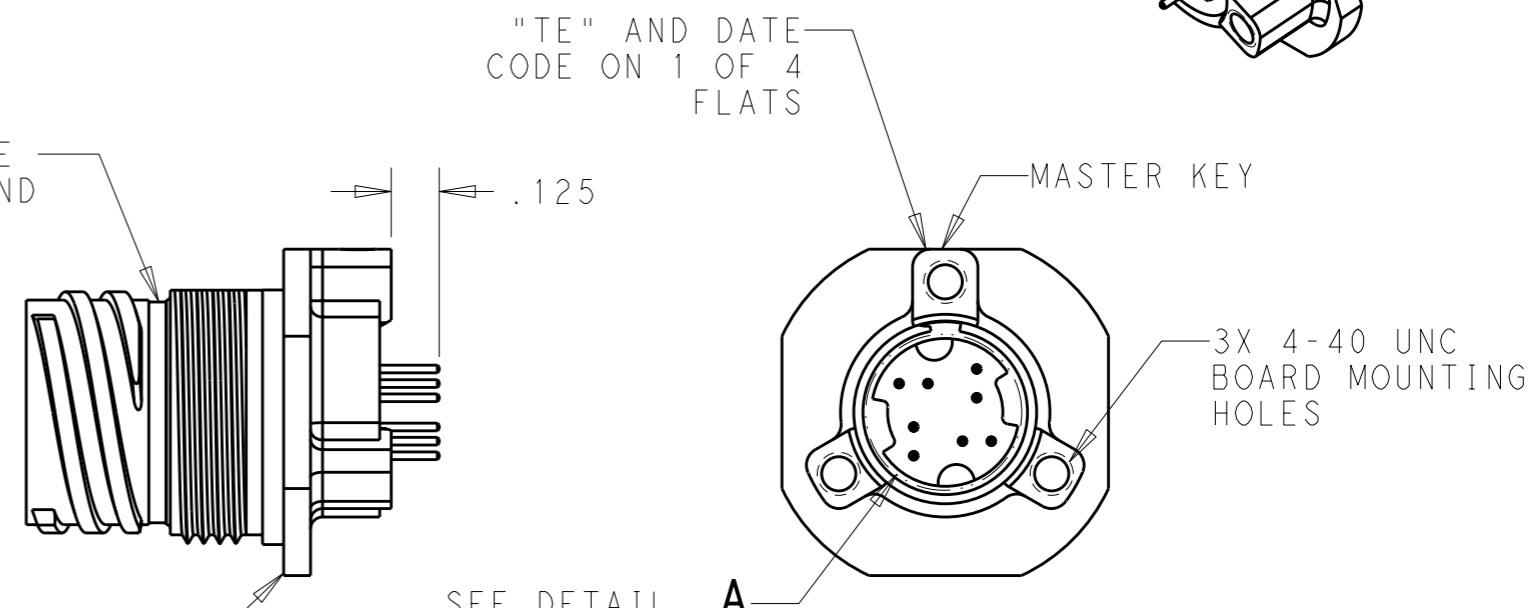
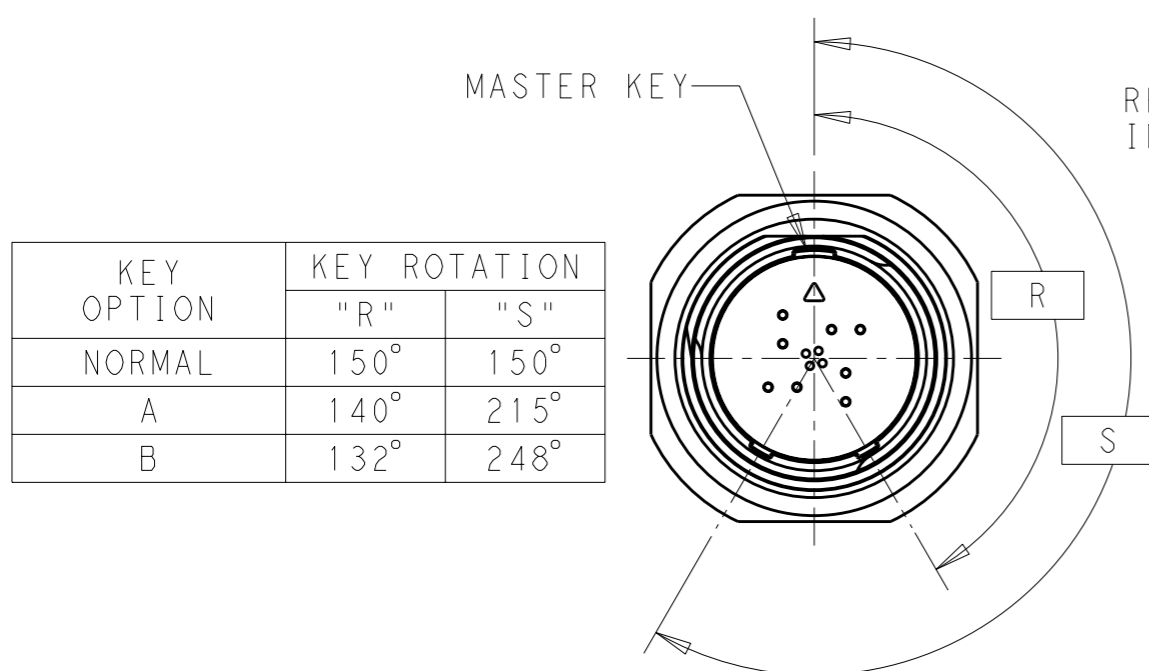
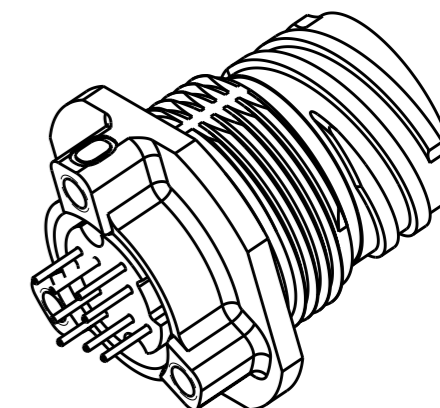
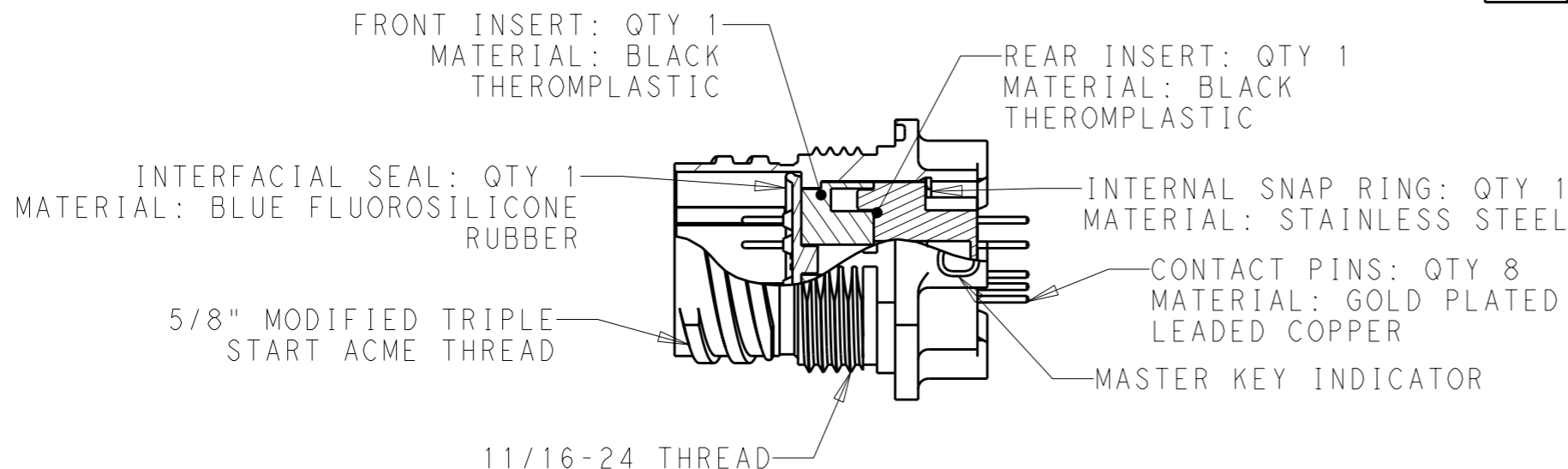
RELEASED FOR PUBLICATION

20

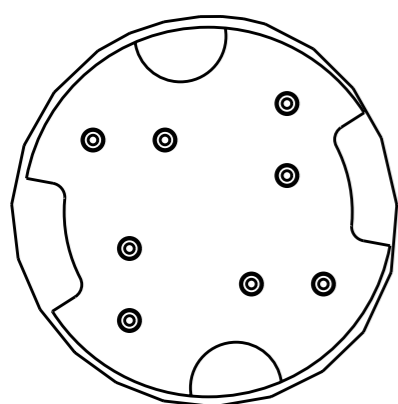
© COPYRIGHT 20 BY -

ALL RIGHTS RESERVED.

LOC		DIST		REVISIONS			
P	LTR	DESCRIPTION		DATE	DWN	APVD	
-	-	A		RELEASED PER ECO-12-007058	11APR2012	JM	-
-	-	-	-	-	-	-	-
-	-	-	-	-	-	-	-



KEYING OPTION	FINISH	PART NUMBER
B	BLACK ZINC NICKEL PLATE	2102452-6
B	NICKEL PLATE	2102452-5
A	BLACK ZINC NICKEL PLATE	2102452-4
A	NICKEL PLATE	2102452-3
NORMAL	BLACK ZINC NICKEL PLATE	2102452-2
NORMAL	NICKEL PLATE	2102452-1



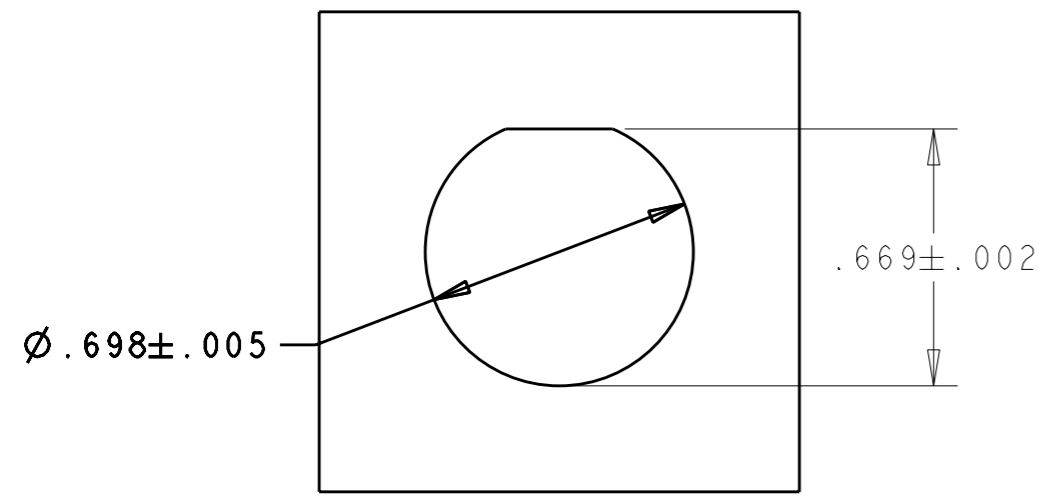
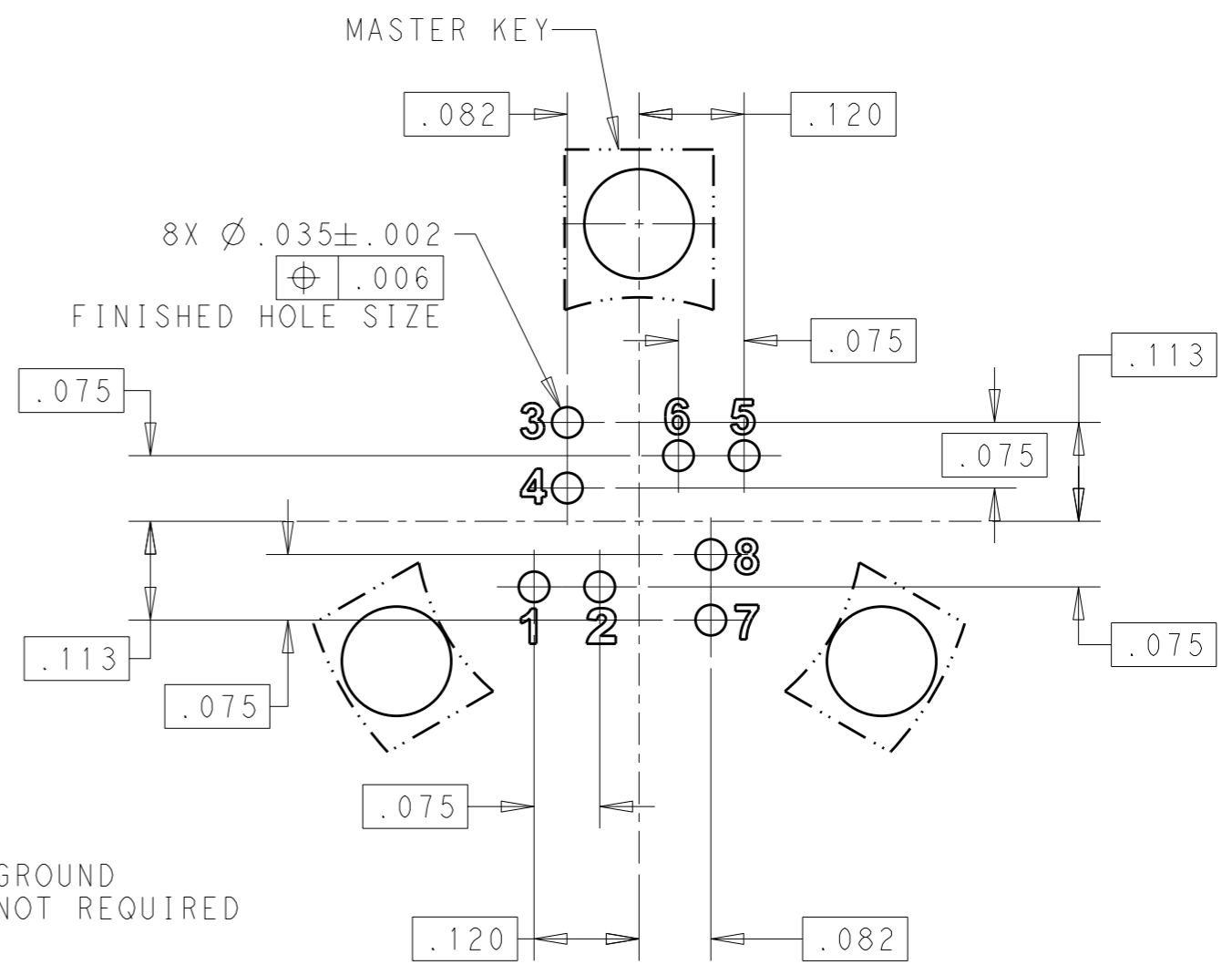
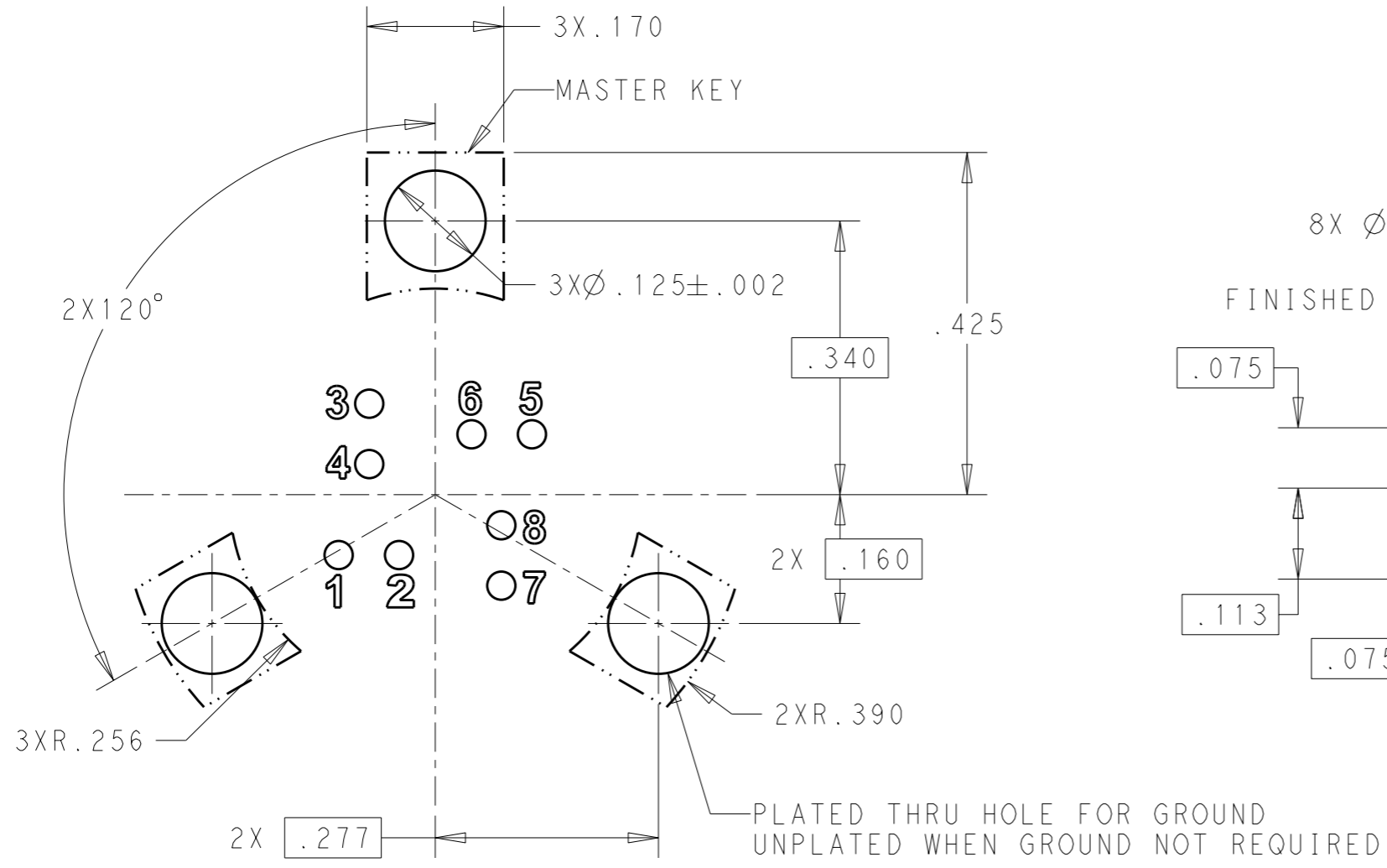
DETAIL A SCALE 5:1

THIS DRAWING IS A CONTROLLED DOCUMENT.		DWN 18AUG2011 MCKIBBEN, JOHN	TE Connectivity	
DIMENSIONS: INCH		CHK 18AUG2011 DOWHOWER, KENNETH		
TOLERANCES UNLESS OTHERWISE SPECIFIED:		APVD 18AUG2011	NAME PCB RECEPTACLE MOUNT ASSEMBLY	
0 PLC ±-		PRODUCT SPEC 108-2482	SIZE CAGE CODE DRAWING NO RESTRICTED TO	
1 PLC ±.1		APPLICATION SPEC 114-32025	A 300779 C-2102452	
2 PLC ±.02		WEIGHT -	SCALE 2:1 SHEET 1 OF 2 REV A	
3 PLC ±.005		CUSTOMER DRAWING		
4 PLC ±.0005				
ANGLES ±-				
MATERIAL -				
FINISH -				


THIS DRAWING IS UNPUBLISHED. RELEASED FOR PUBLICATION 20  
 © COPYRIGHT 20 BY - ALL RIGHTS RESERVED.

LOC	DIST	REVISIONS			
P	LTR	DESCRIPTION	DATE	DWN	APVD
-	-	SEE SHEET 1	-	-	-

# RECOMMENDED BOARD LAYOUT



## PANEL CUTOUT DIMENSIONS

THIS DRAWING IS A CONTROLLED DOCUMENT.		DWN MCKIBBEN, JOHN 18AUG2011	 TE Connectivity	
DIMENSIONS: INCH		CHK DOWHOWER, KENNETH 18AUG2011		
TOLERANCES UNLESS OTHERWISE SPECIFIED:		APVD 18AUG2011	NAME PCB RECEPTACLE MOUNT ASSEMBLY	
0 PLC $\pm .1$ 1 PLC $\pm .1$ 2 PLC $\pm .02$ 3 PLC $\pm .005$ 4 PLC $\pm .0005$ ANGLES $\pm$		PRODUCT SPEC -	SIZE A3	
MATERIAL -		APPLICATION SPEC -	CAGE CODE 00779	DRAWING NO C-2102452
FINISH -		WEIGHT -	RESTRICTED TO -	
CUSTOMER DRAWING		SCALE 2:1	SHEET 2 OF 2	REV A