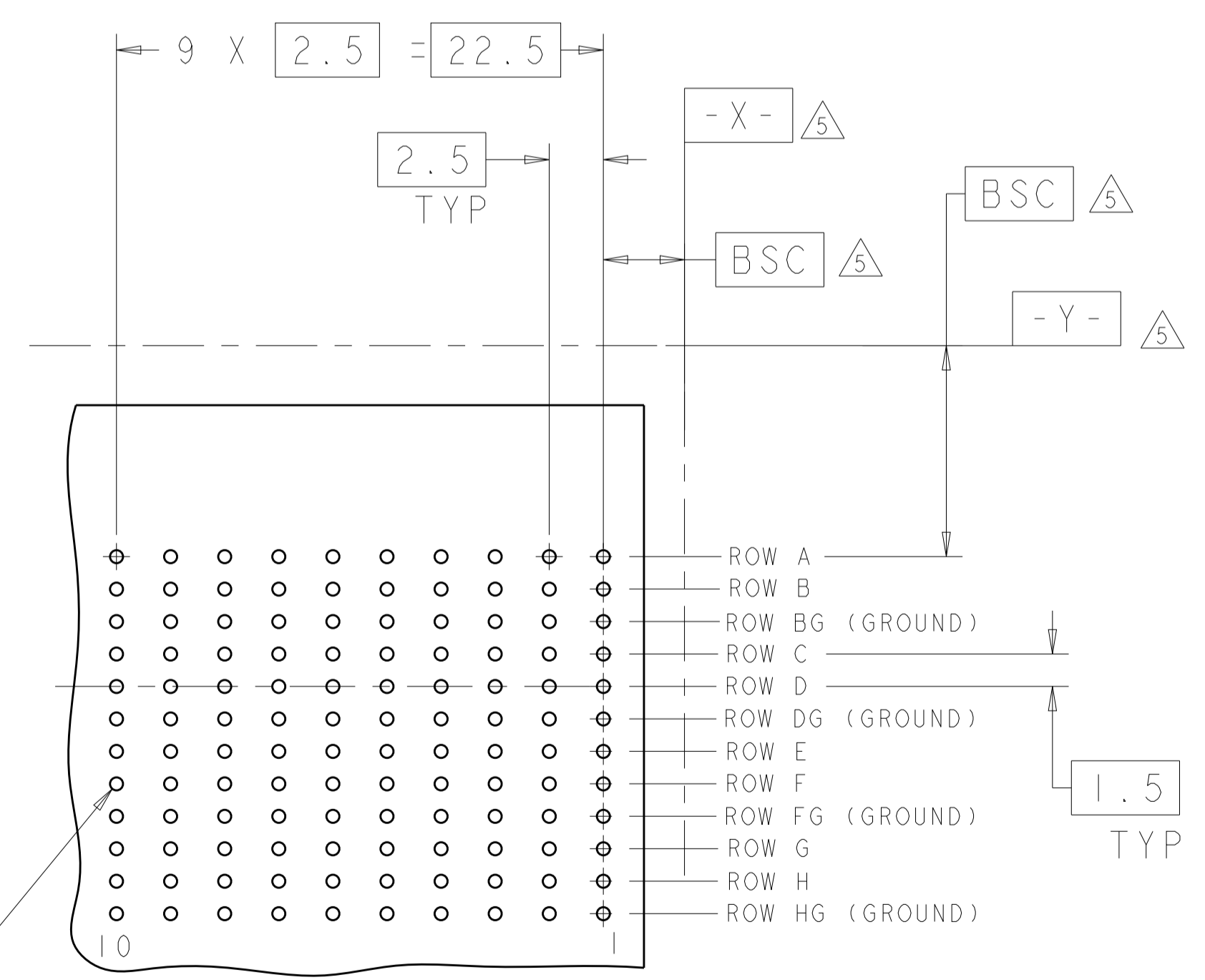
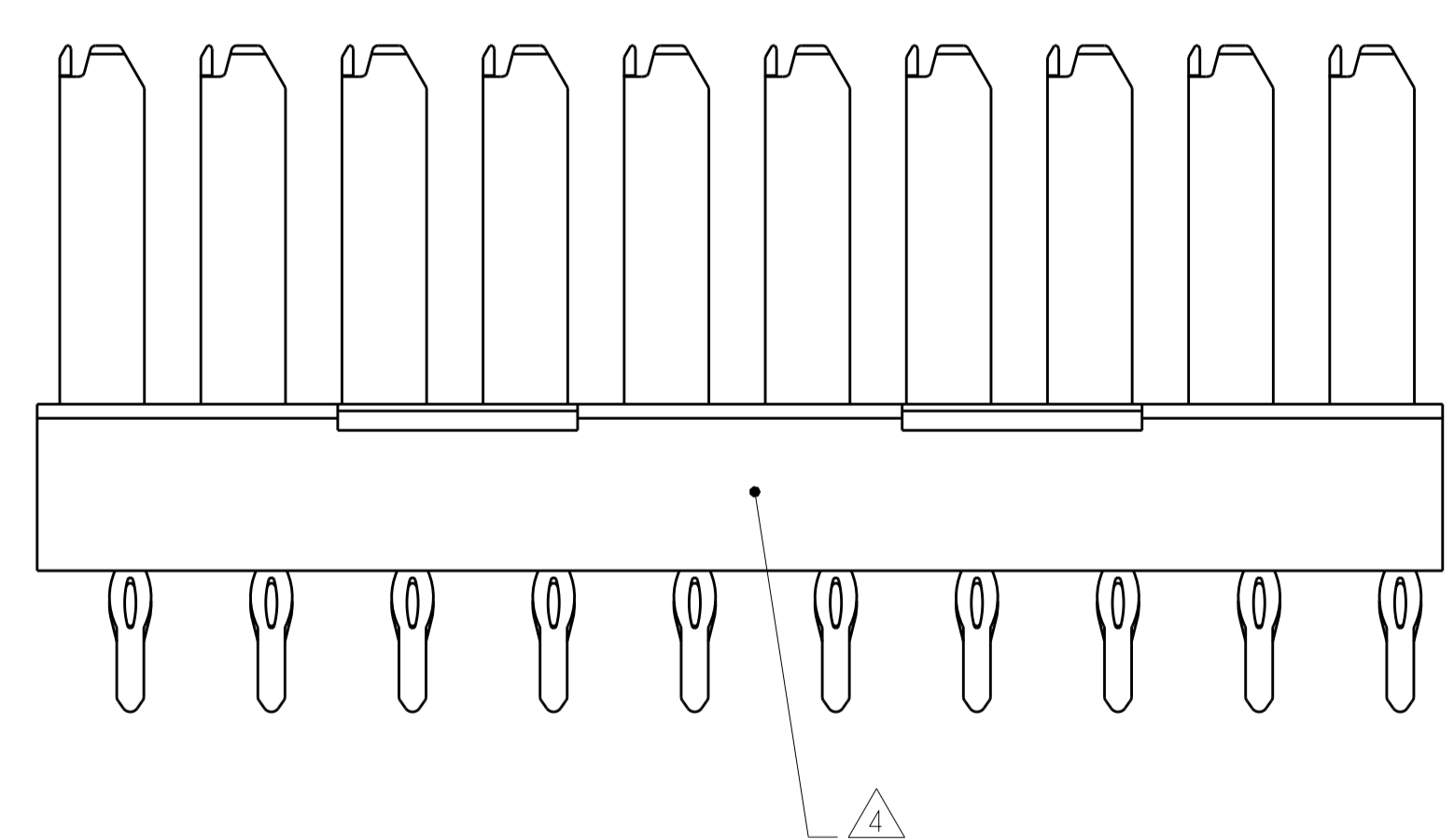
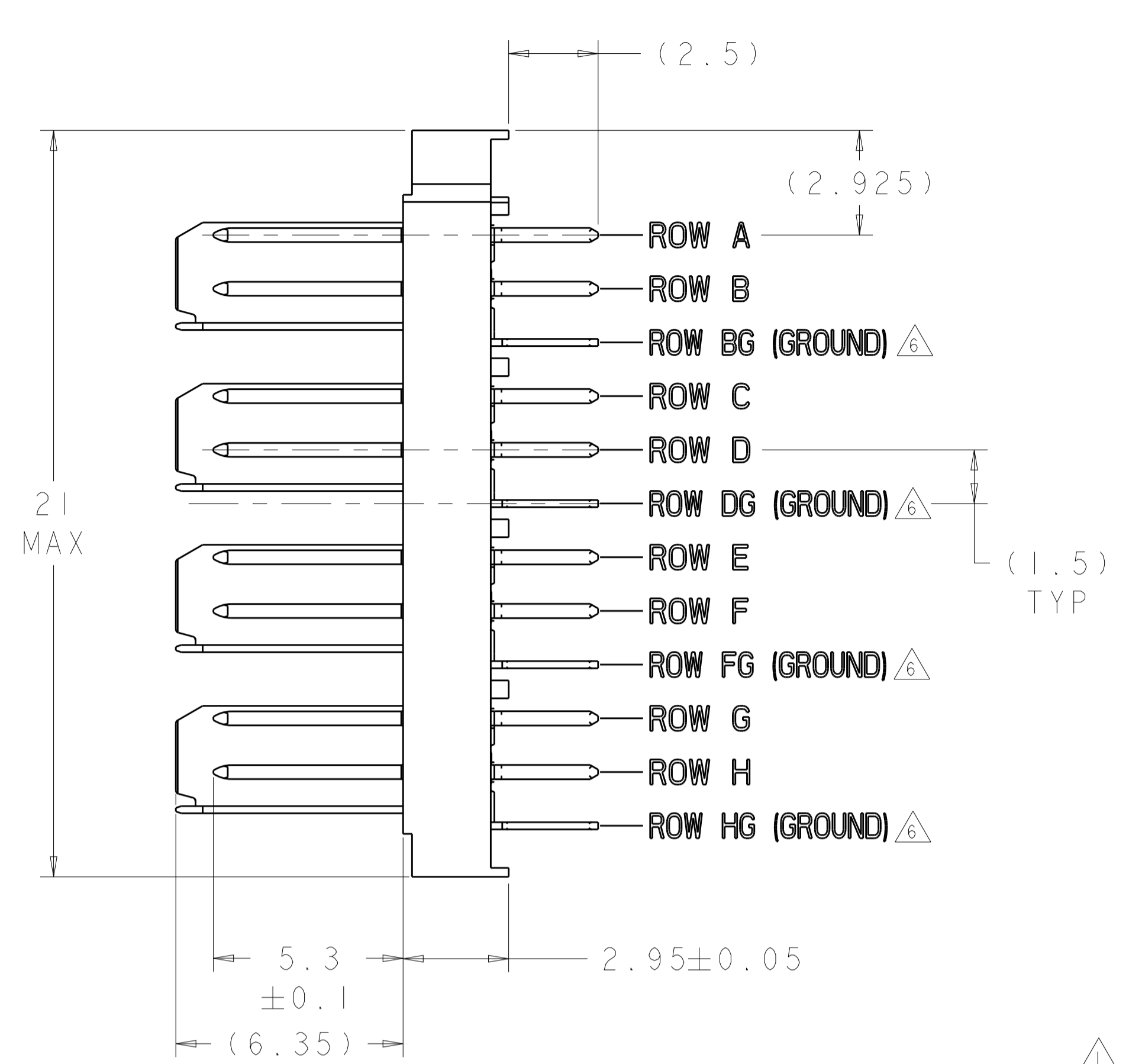
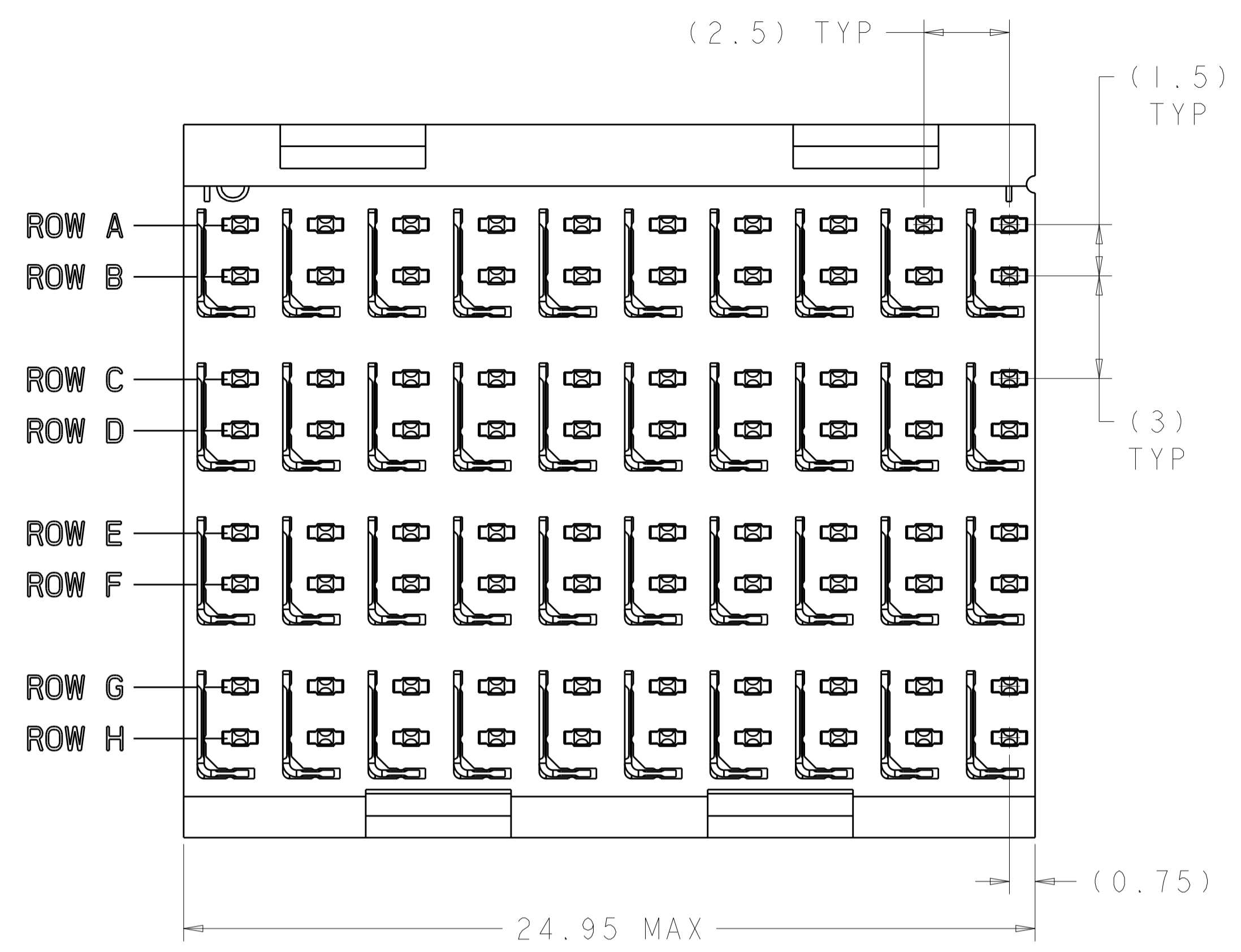


LOC	DIST	REVISIONS			
REV	DATE	DESCRIPTION	DATE	BY	APP'D
A		RELEASED PER ECO-16-004668	20APR2016	DCB	DH



⊕ | Ø 0.05 | X | Y  
 ALL PLATED THRU HOLES

RECOMMENDED PC BOARD LAYOUT, BACKPLANE, COMPONENT SIDE SHOWN  
 SCALE 4:1

- 1 REFERENCE APPLICATION SPEC 114-13059 FOR RECOMMENDED PLATED THRU HOLE DIAMETER AND PLATING THICKNESSES.
- 2 MATERIAL:  
 CONTACT AND SHIELD - PHOSPHOR BRONZE  
 HOUSING - GLASS FILLED POLYESTER. UL 94V-0.
- 3 FINISH: CONTACT AND SHIELD  
 MATING AREA - 1.27µm MIN GOLD OVER 1.27µm MIN NICKEL  
 COMPLIANT PIN AREA - 0.5µm MIN BRIGHT TIN-LEAD OVER 1.27µm MIN NICKEL
- 4 CONNECTOR MARKED WITH PART NUMBER AND DATE CODE.
- 5 DATUMS AND BASIC DIMENSIONS ESTABLISHED BY CUSTOMER.
- 6 THE FOUR GROUNDS IN EACH COLUMN ARE COMMONED.
- 7. CONTACT AREA LUBRICATED WITH BELLCORE APPROVED LUBRICANT. TECHNICAL REFERENCE: GR-1217-CORE, ISSUE 1, NOVEMBER 1995.
- 8 FINISH: CONTACT AND SHIELD  
 MATING AREA - 1.27µm MIN GOLD OVER 1.27µm MIN NICKEL  
 COMPLIANT PIN AREA - 0.5µm MIN TIN OVER 1.27µm MIN NICKEL

RoHS	8	2102183-2
NON-RoHS	3	2102183-1
COMMENTS	CONTACT PLATING	ASSEMBLY NUMBER

DIMENSIONS: mm 		TOLERANCES UNLESS OTHERWISE SPECIFIED: 0 PLC ± 1 PLC ± 2 PLC ± 3 PLC ± 4 PLC ± ANGLES ±		DWN Brent D. Yoitt CHK CHONG YI APVD M.R. McALON'S DATE 01FEB2010 PRODUCT SPEC APPLICATION SPEC		Tyco Electronics Harrisburg, PA 17105-3608	
MATERIAL 		FINISH SEE TABLE		WEIGHT -		NAME HEADER ASSEMBLY, 4 PAIR, 2.5mm TAIL, 25mm, HMZd	
CUSTOMER DRAWING		SIZE A1		CAGE CODE 00779		DRAWING NO. 2102183	
SCALE 8:1		SHEET 1 OF 1		REV A		RESTRICTED TO	