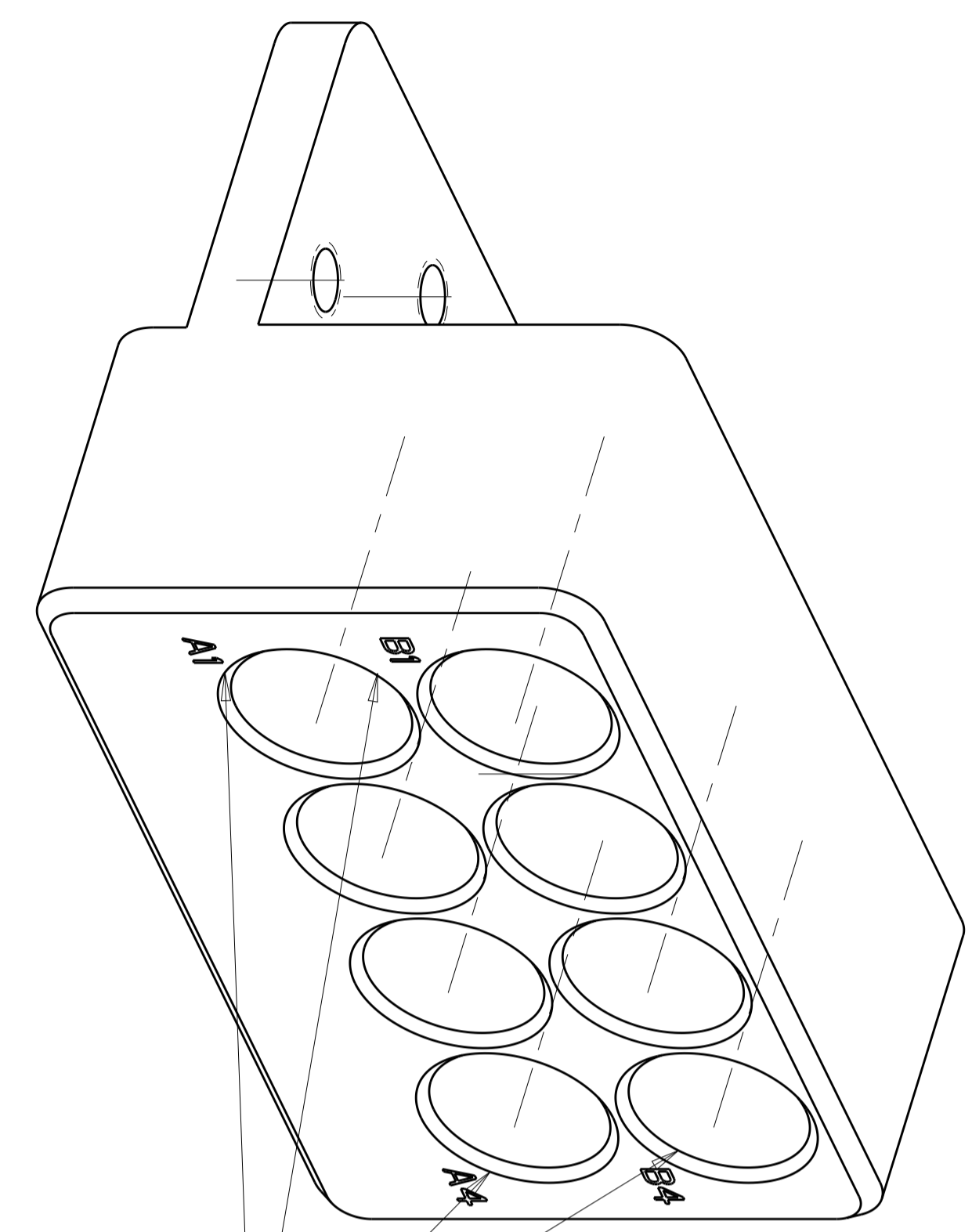
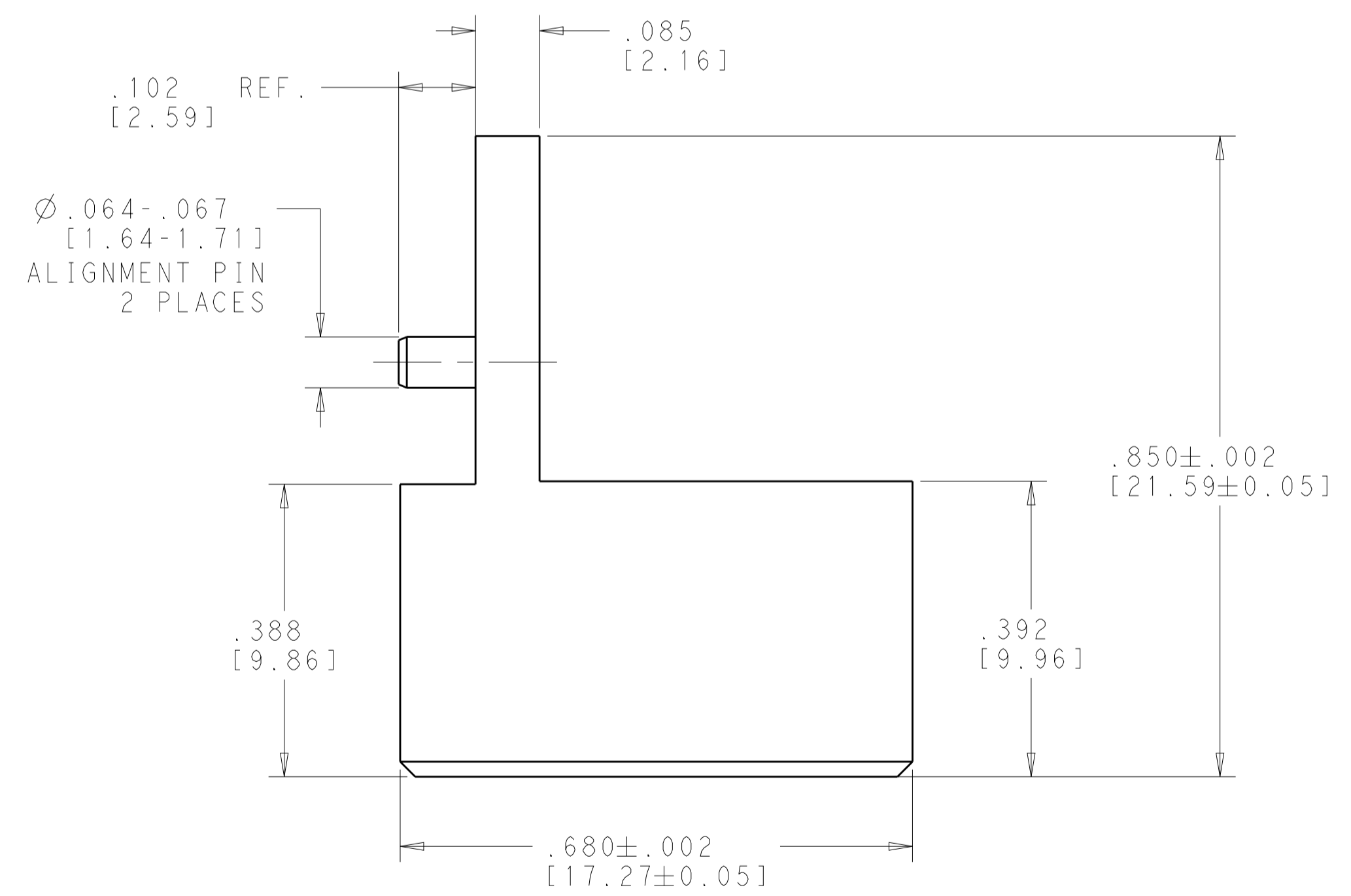
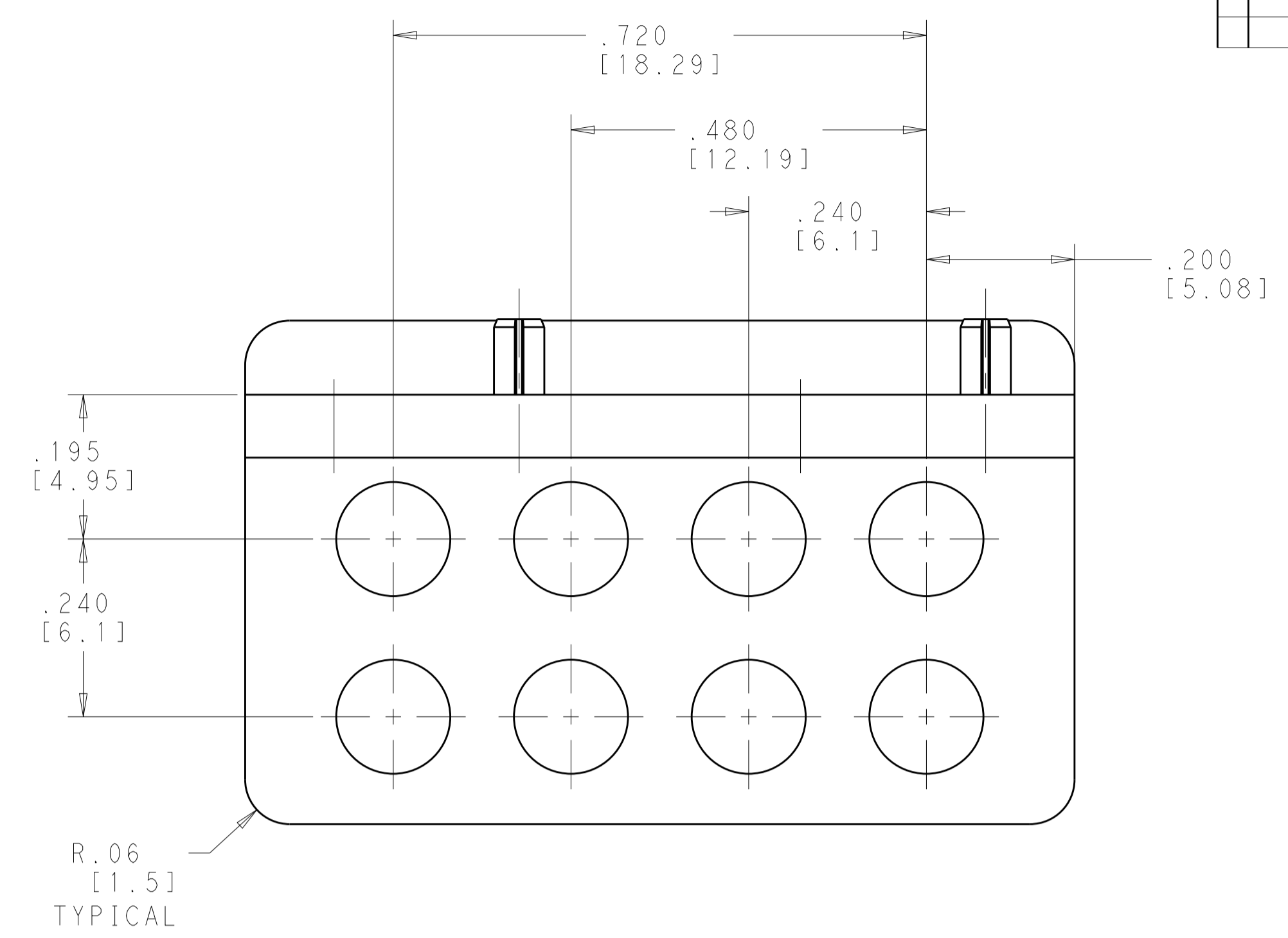


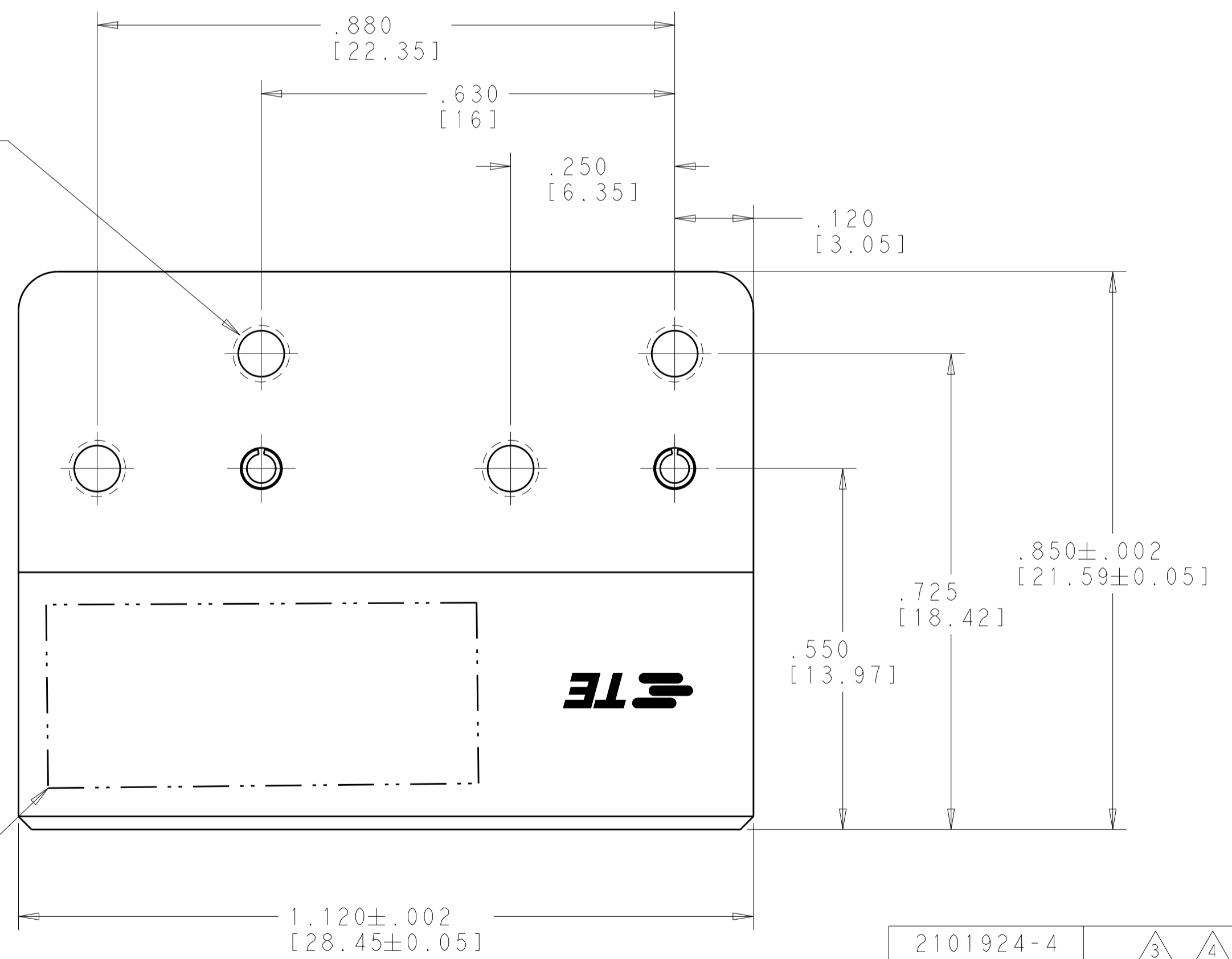
LOC		DIST		REVISIONS			
P	LTN	DESCRIPTION	DATE	DWN	APVD		
F		REV PER ECO 16-012318	10-12-16	CT	DW		



CAVITY IDENTIFICATION Δ



2-56 UNC-2B
 THREADED THRU HOLE
 4 PLACES



Δ PART MARKING

- Δ MATERIAL:
 MODULE BODY - STAINLESS STEEL, PER UNS S30300
 SPRING PINS - WORK HARDENED NICKEL STAINLESS STEEL
- Δ FINISH:
 MODULE BODY & SPRING PINS - PASSIVATED
- Δ PART MARKING:
 TE CONNECTIVITY PART NUMBER, CAGE CODE AND DATE CODE
- Δ CAVITY IDENTIFICATION MARKING

2101924-4	Δ Δ	2101924-4
----	Δ	2101924-3
TE PART NO MARKED ON PART	MARKING	PART NO.

THIS DRAWING IS A CONTROLLED DOCUMENT.		DWN S. T. Morley 13APR2010	TE Connectivity	
DIMENSIONS: [INCHES(mm)]		CHK S. T. Morley 13APR2010		
TOLERANCES UNLESS OTHERWISE SPECIFIED:		APVD S. T. Morley 13APR2010	NAME 8 POSITION R.F. MODULE, P.C.B. MOUNT VITA 67 DAUGHTER CARD	
0 PLC ±.1 1 PLC ±.01 2 PLC ±.001 3 PLC ±.0005 4 PLC ±.0005 ANGLES ±1.0°		PRODUCT SPEC	APPLICATION SPEC	
MATERIAL: Δ		FINISH: Δ	SIZE A100779	CAGE CODE C=2101924
CUSTOMER DRAWING		WEIGHT 1.045 oz	RESTRICTED TO	SCALE 6:1
		SHEET 1 OF 1	REV F	