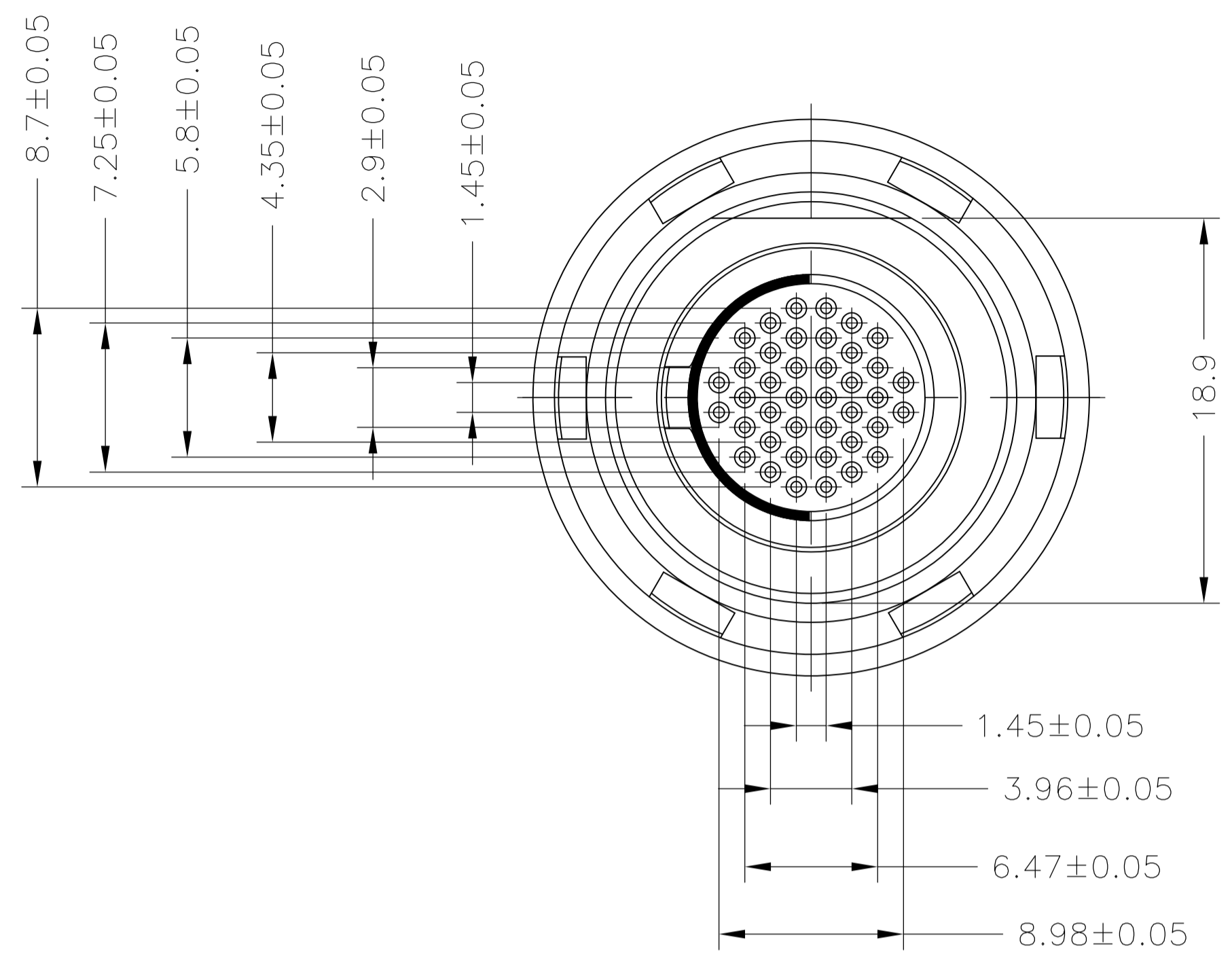
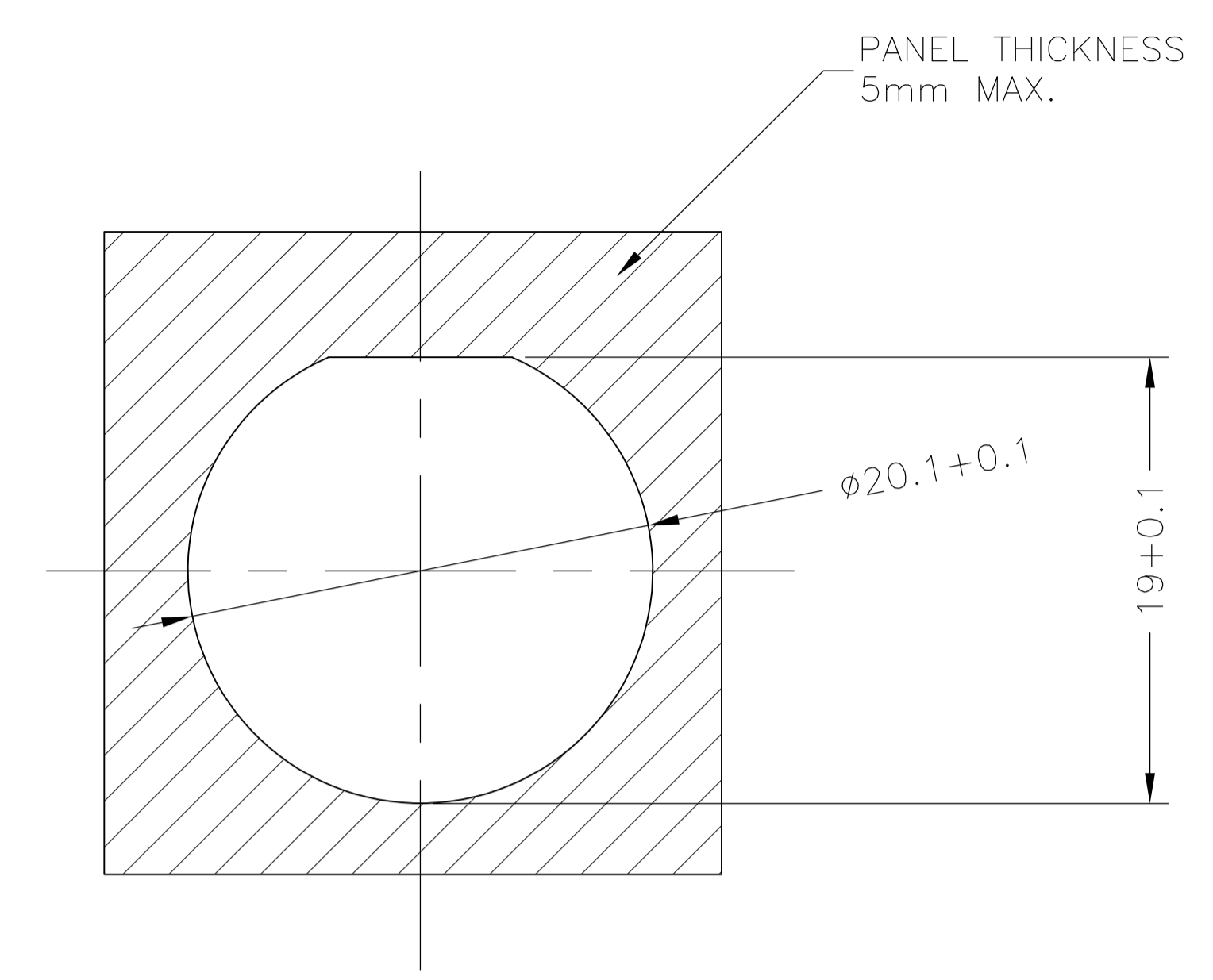
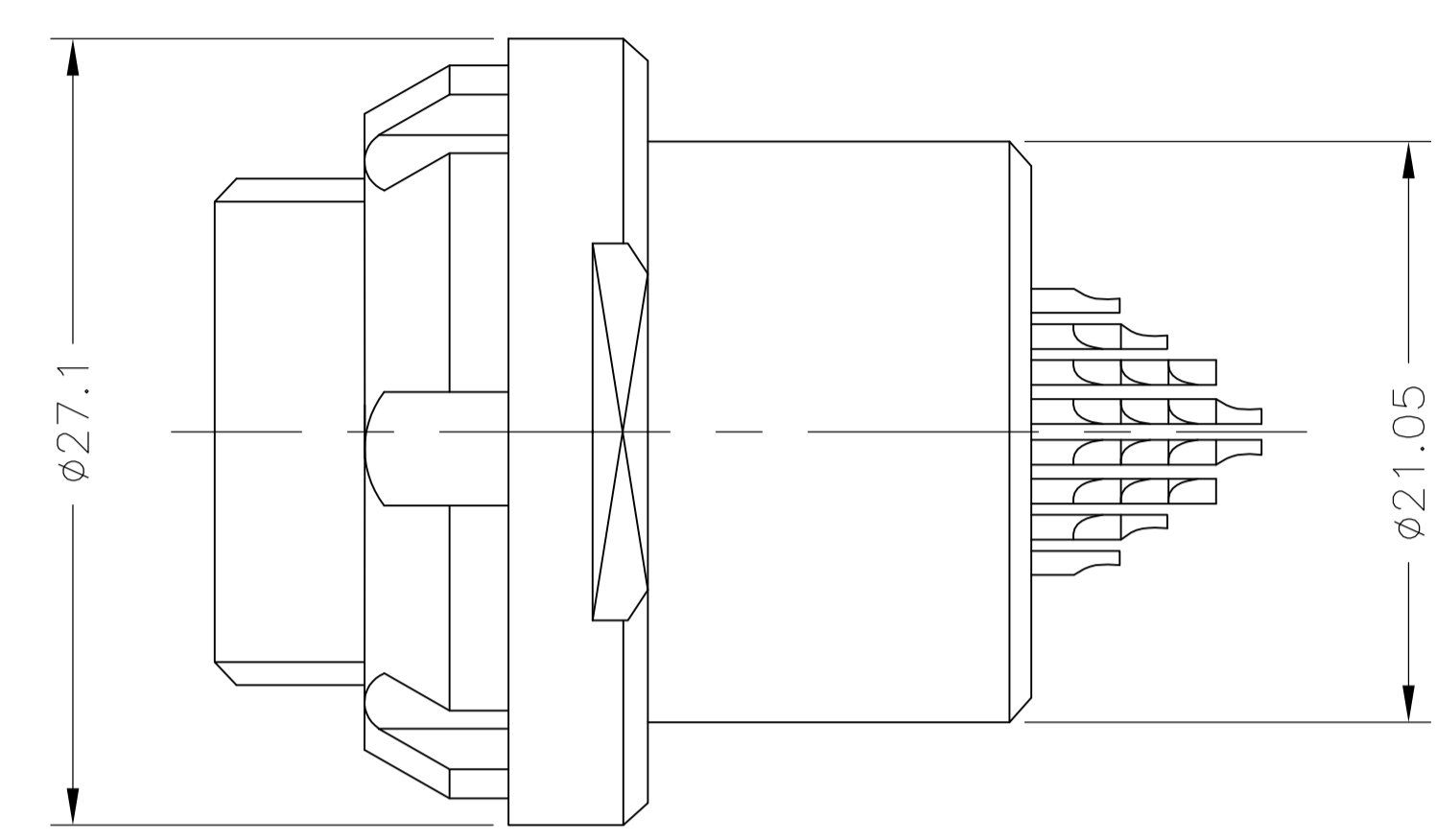


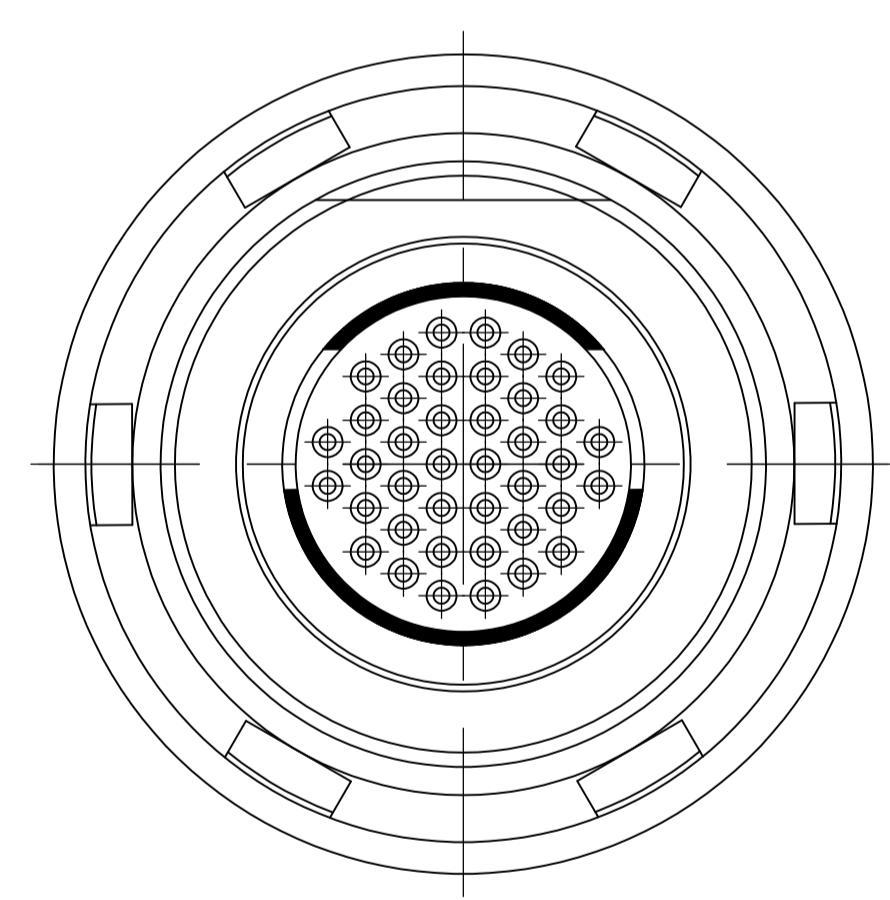
LOC		DIST		REVISIONS			
P	LTR	DESCRIPTION	DATE	DN	APVD		
C		REVISED PER ECO 13-001843.	08FEB2013	MGM	CT		



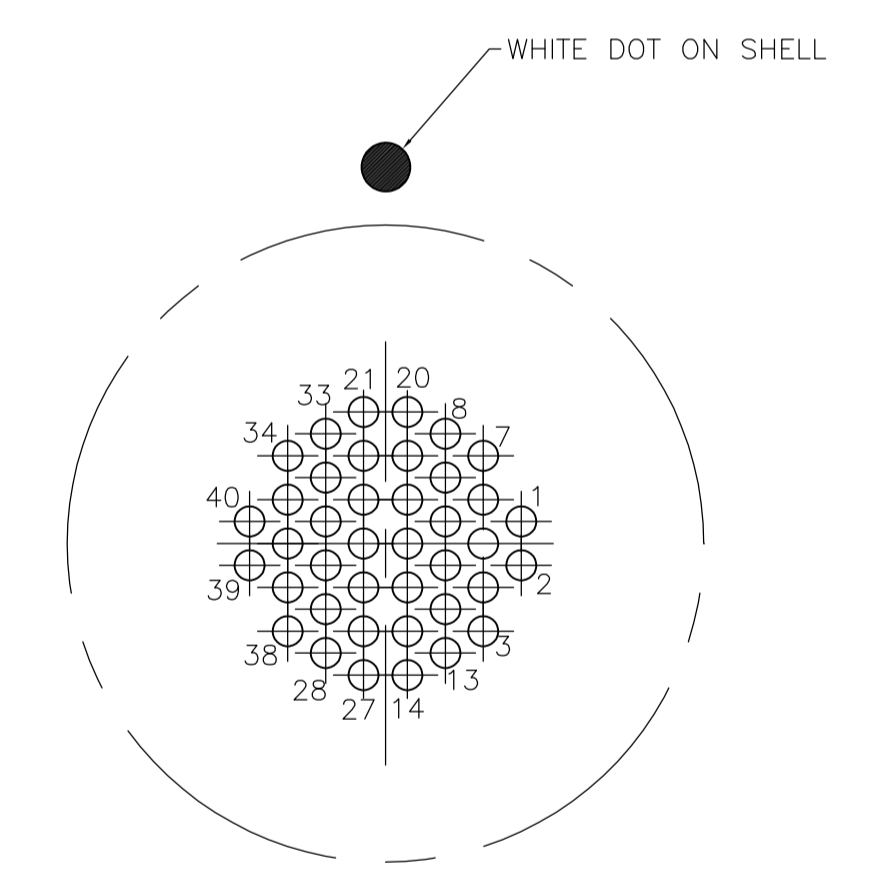
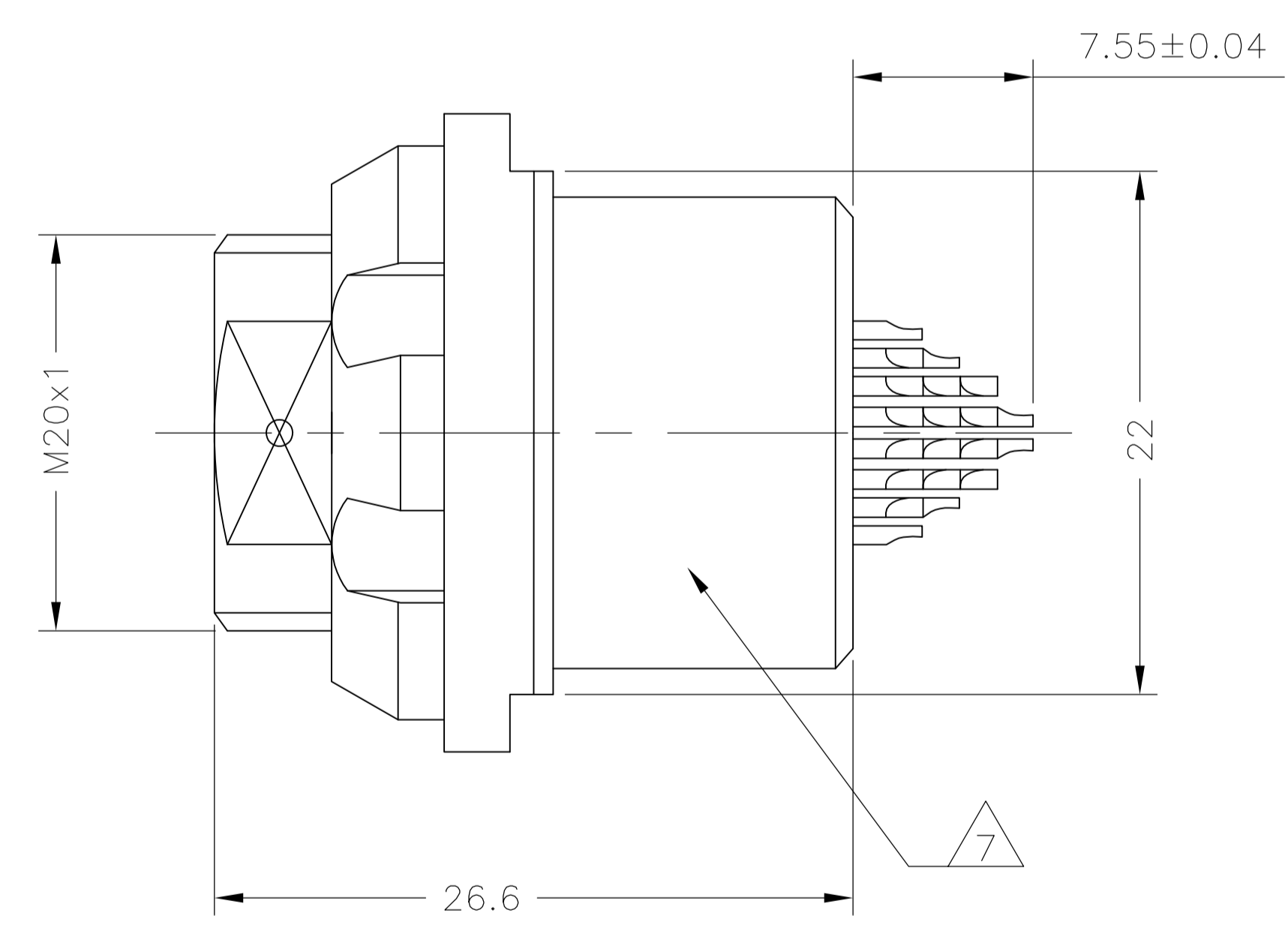
SINGLE POLARIZATION



PANEL CUTOUT



DOUBLE POLARIZATION



CAVITY IDENTIFICATION WHEN VIEWED FROM REAR OF CONNECTOR

- DWV RATING: 725VAC @ SEA LEVEL
- WIRE SIZE: 28 AWG MAX
- WORKING TEMPERATURE: -55°C ~ +125°C

4 MATERIAL:
 CONTACT : COPPER ALLOY
 SHELL : COPPER ALLOY
 INSULATOR : PEEK
 O RING : SILICON RUBBER

5 FINISH
 CONTACT: GOLD OVER NICKEL
 SHELL : BLACK CHROMIUM

6. WATER PROOF: 1M IMMERSION

7 PART IS MARKED WITH TE PART NUMBER, CHINA, DATE CODE AND LOT ID

8 ALL TOLERANCES +/-0.20 UNLESS NOTED.

5	CHROMIUM-BLACK	DOUBLE	SOLDER CUP	2101677-2
5	CHROMIUM-BLACK	SINGLE	SOLDER CUP	2101677-1
SHELL SIZE	FINISH	POLARIZATION	TERMINATION	TE CONNECTIVITY PART NUMBER

THIS DRAWING IS A CONTROLLED DOCUMENT.

DIMENSIONS: mm	TOLERANCES UNLESS OTHERWISE SPECIFIED:	APPROVED: R. GROSS	DATE: 03MAR2010	TE Connectivity
0 PLC ± -	1 PLC ± -	APPROVED: R. GROSS	DATE: 03MAR2010	
1 PLC ± -	2 PLC ± 0.20	NAME: CIRCULAR HD RECEPTACLE WITH SOLDER CUP SOCKET CONTACTS, PANEL MOUNT 40 POS.	PRODUCT SPEC: 108-127005	RESTRICTED TO: -
2 PLC ± -	3 PLC ± -	APPLICATION SPEC: -	SIZE: A1	SCALE: NTS
3 PLC ± -	4 PLC ± -	WEIGHT: -	DRAWING NO: 00779	SHEET: 1 OF 1
4 PLC ± -	ANGLES ± °	CUSTOMER DRAWING	REV: C	REV: C