

THIS DRAWING IS UNPUBLISHED.
DIFFUSION RESTREINTE

RELEASED FOR PUBLICATION
LIBRE A LA DIFFUSION

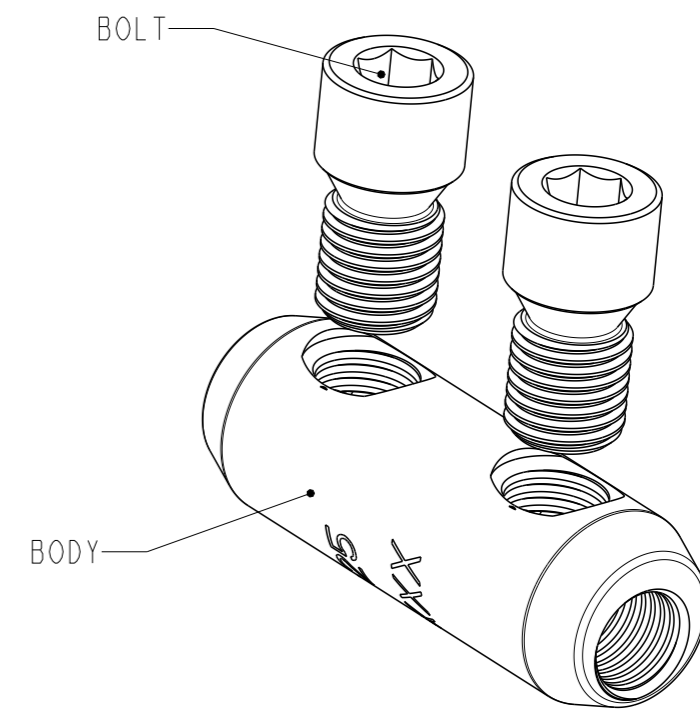
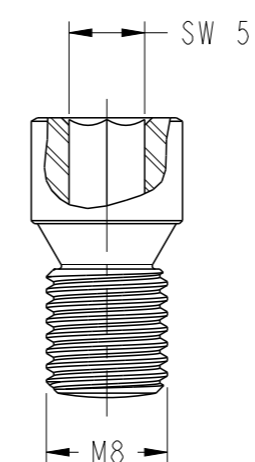
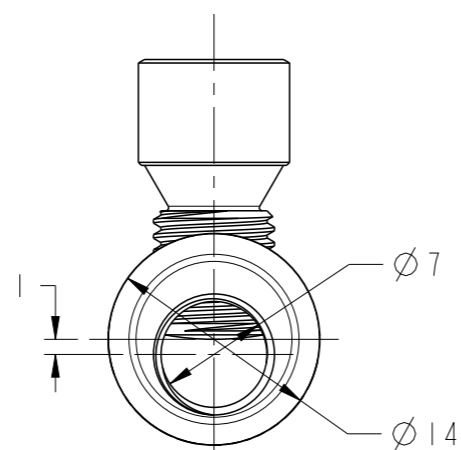
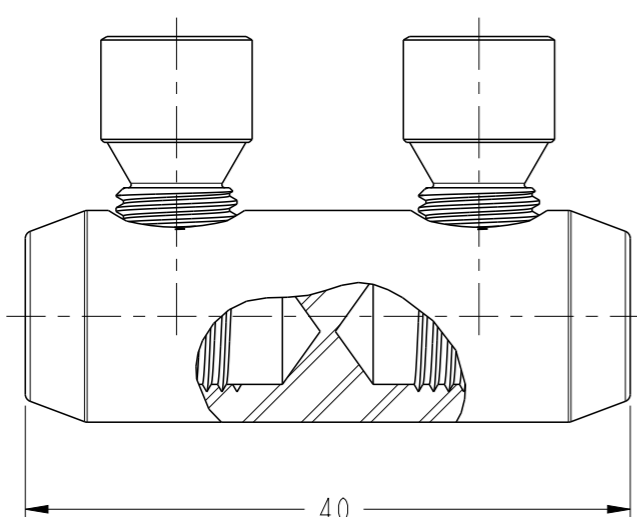
20

© COPYRIGHT 20 BY -

ALL RIGHTS RESERVED.
TOUS DROITS RESERVES

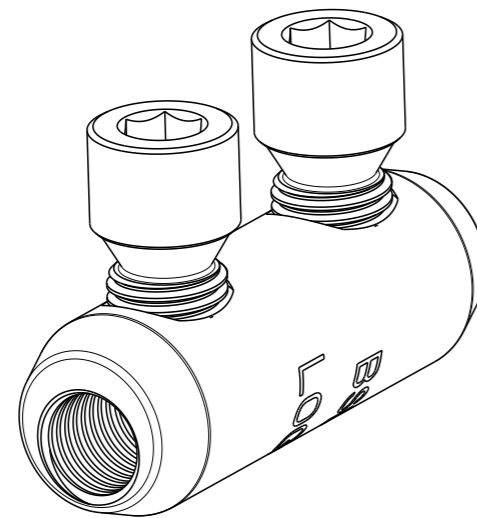
REVISIONS

P	LTR REV	DESCRIPTION MODIFICATIONS	DATE	DWN DESS.	APVD APP.
	A	CREATION	23JUN2009	BM	NA
	B	UPDATE BOLT HEAD	20JUL2009	BM	NA
	C	PART NUMBER CORRECTION	29JAN2019	BM	NA


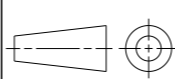


BSLB-6/25	E26160-000
DESCRIPTION	PART NUMBER

	AL		CU	
	ROUND STRANDED /cIRC; câblé /RM	ROUND SOLID /cIRC; MASSIF /RE	ROUND STRANDED /Circ. câblé /RM	ROUND SOLID /Circ. massif /RE
CONDUCTOR CROSS-SECTION /Section conducteur /Querschnittsbereich mm ²	6-25	6-35	6-25	6-25
CONDUCTOR DIAMETER /Diamètre conducteur /Leiterdurchmesser mm	Ø2.8-Ø6.5	Ø2.7-Ø5.7	Ø2.8-Ø6.5	Ø2.7-Ø5.7



TOLERANCES UNLESS OTHERWISE SPECIFIED
TOLERANCES NON SPECIFIEES: -

THIS DRAWING IS A CONTROLLED DOCUMENT. CE PLAN EST UN DOCUMENT CONTROLE PAR TYCO ELECTRONICS CORPORATION. IL EST SUSCEPTIBLE D'ETRE REVISE. POUR OBTENIR LA DERNIERE REVISION, CONTACTER LE SERVICE TECHNIQUE DE TYCO ELECTRONICS SIMEL SAS, 21220 GEVREY-CHAMBERTIN, FRANCE		DWN/DESSINE B. MILLOT 23JUN2009	 TE Connectivity		
DIMENSIONS: mm		CHK/VERIFIE -			
		TOLERANCES UNLESS OTHERWISE SPECIFIED: TOLERANCES NON SPECIFIEES (SUIV NB DE DECIMALES): 0 PLC/DEC: ±0 1 PLC/DEC: ±0 2 PLC/DEC: ±0 3 PLC/DEC: ±0 4 PLC/DEC: ±0 ANGLES ±-		APVD/APPROUVE N. ALMEIDA	NAME TITRE BSLB-6/25
MATERIAL MATIERE AL ALLOY		FINISH FINITION TINNED	PRODUCT SPEC SPEC. PRODUIT -	APPLICATION SPEC SPEC. APPLICATION -	RESTRICTED TO RESERVE A
		WEIGHT MASSE APPROX. 16g	SIZE FORMAT A3	CAGE CODE -	DRAWING NO No PLAN C=2099654
		CUSTOMER DRAWING /PLAN CLIENT	UNIQUEMENT POUR REFERENCE	SCALE ECHELLE 2:1	SHEET FEUILLE 1 OF DE 1
					REV C