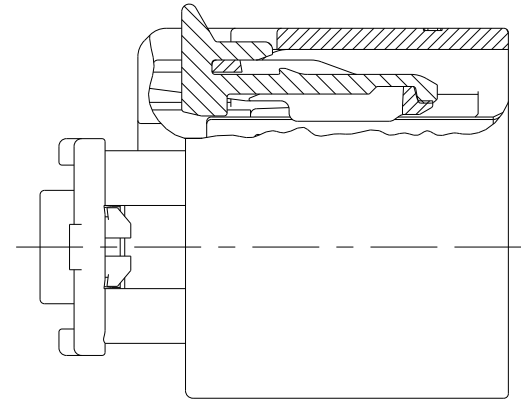
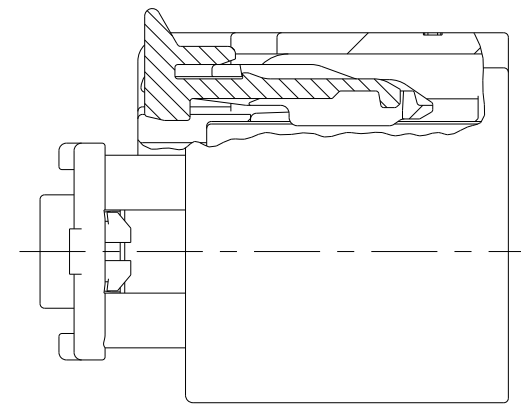


P	LTR	DESCRIPTION	DATE	DWN	APVD
B13		REVISED PER ECN-21-130901	07JAN2022	SMR	CS
B14		REVISED PER ECN-22-135983	31JAN2022	JMS	CS
B15		REV PER ECN-23-209877	11MAY2023	JMS	CJS
B16		REV PER ECN-24-253374	02MAR2024	SMR	CS

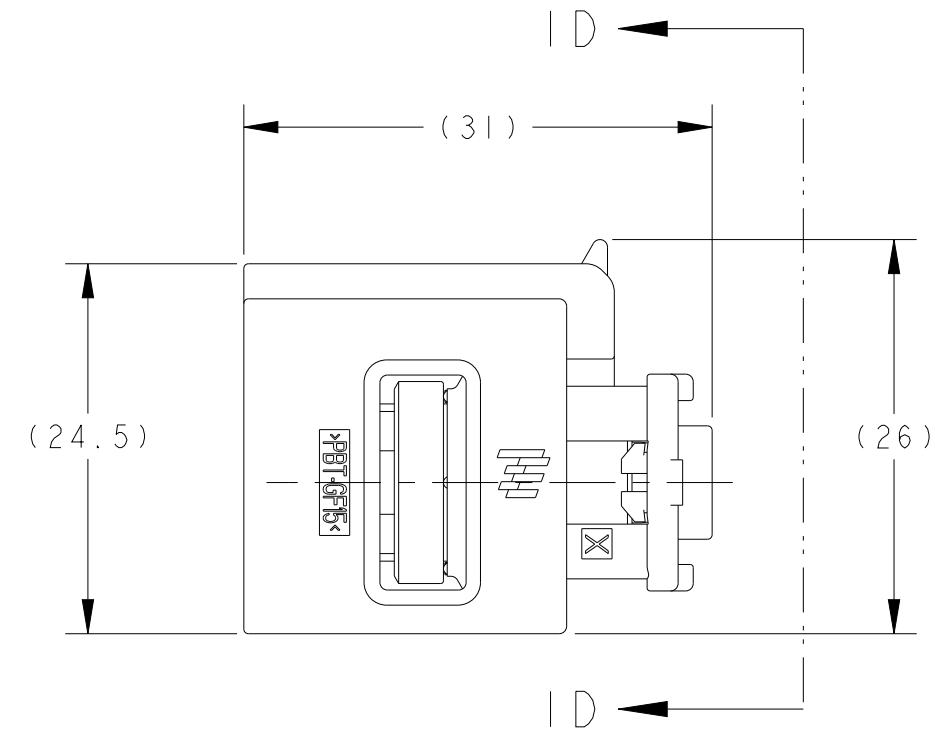
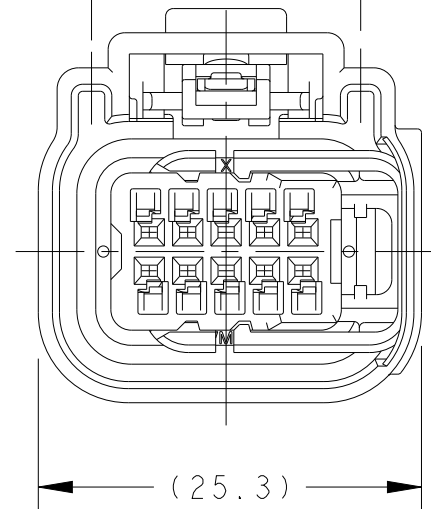


CPA CLOSED POSITION ³

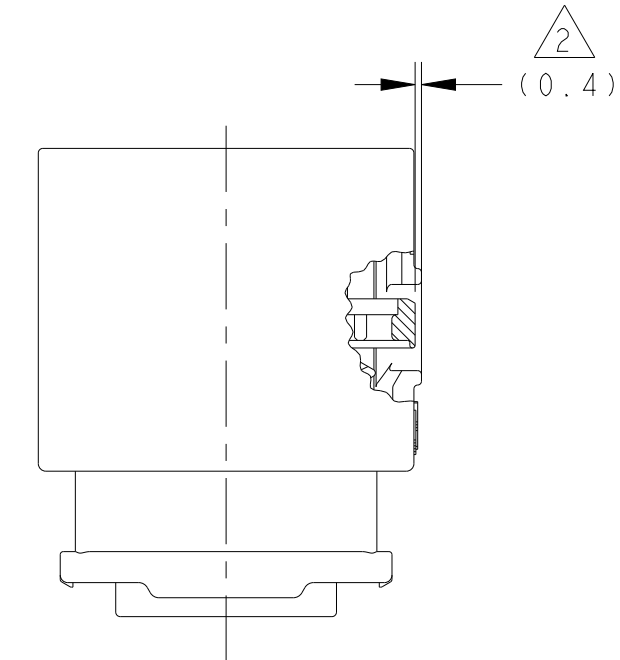


CPA PRE-LATCHED POSITION ²

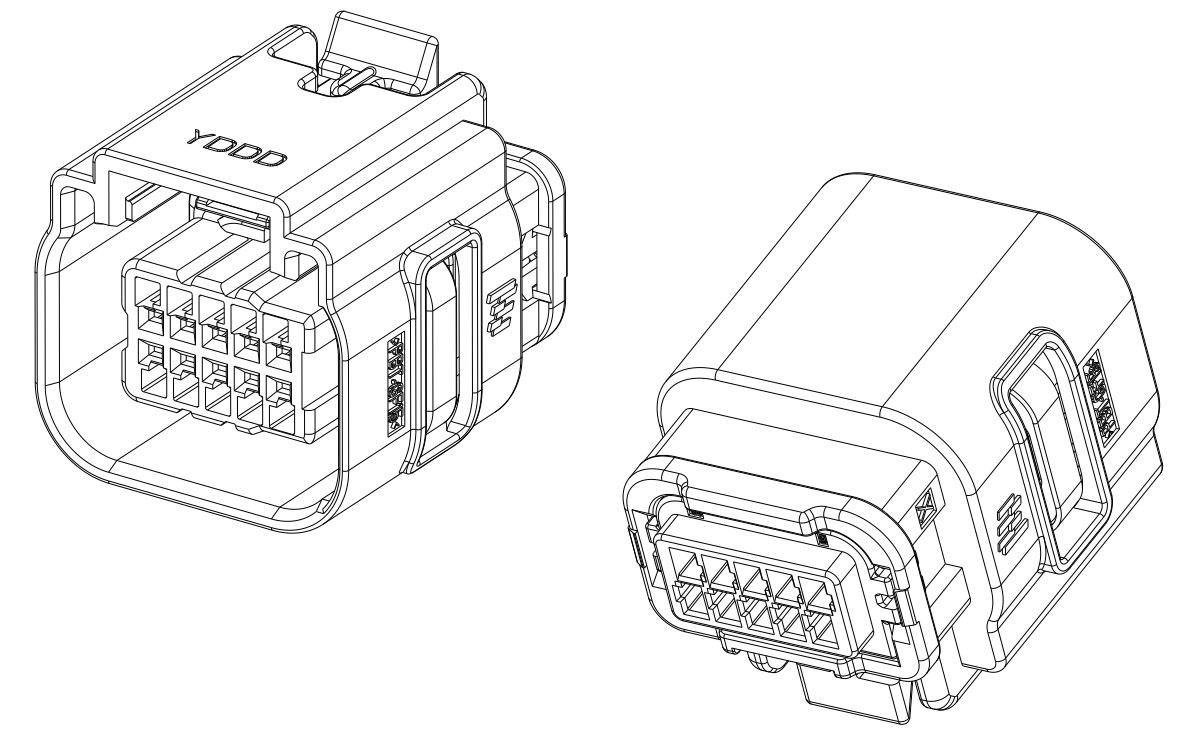
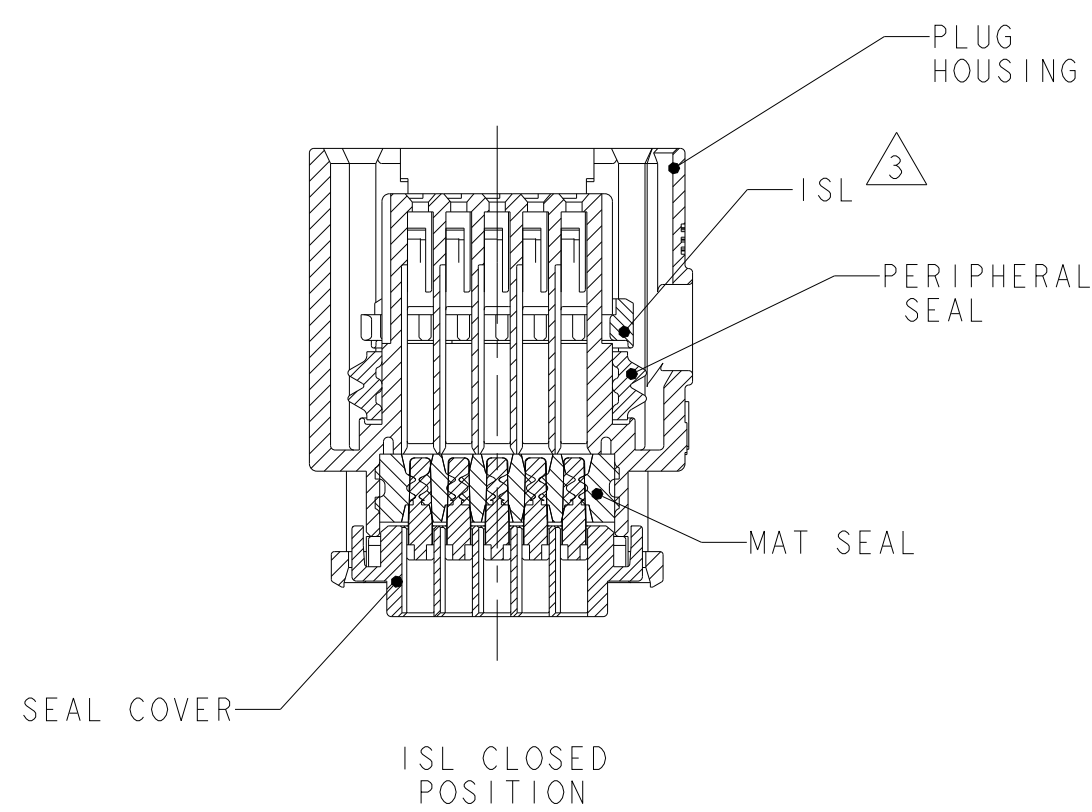
(8.9) (8.9)



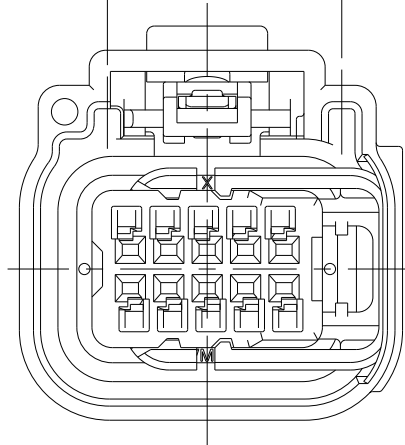
- ¹ PLUG HOUSING: PBT, 15% GLASS-FILLED, COLOR: SEE TABLE
PERIPHERAL SEAL: SILICONE, GREEN
MAT SEAL: SILICONE, BLUE
SEAL COVER: NYLON 6/6, 15% GLASS-FILLED, BLACK
ISL: NYLON 6/6, 35% GLASS-FILLED, NATURAL
CPA: PBT, 33% GLASS-FILLED, GRAY
- ² OPTIONAL CPA & ISL SHOWN IN PRE-LATCHED, AS SHIPPED, POSITION.
- ³ OPTIONAL CPA & ISL SHOWN IN CLOSED POSITION.
- 4. PLUG ASSEMBLY MATES WITH USCAR INTERFACE DRAWING 064-S-010-2-Z01.
- 5. PLUG ASSEMBLY WILL ACCEPT THE FOLLOWING TERMINAL PART NUMBERS: 2035170-1, 2035170-2
- ⁶ PART NUMBERS MARKED AS PRELIMINARY HAVE NOT BEEN RELEASED PER FORMAL QUALIFICATIONS.
- 7. REFERENCE INSTRUCTION SHEET 408-10350 FOR ASSEMBLY INSTRUCTIONS.
- 8. KEYING OPTION "A" AS SHOWN.



ISL PRE-LATCHED POSITION

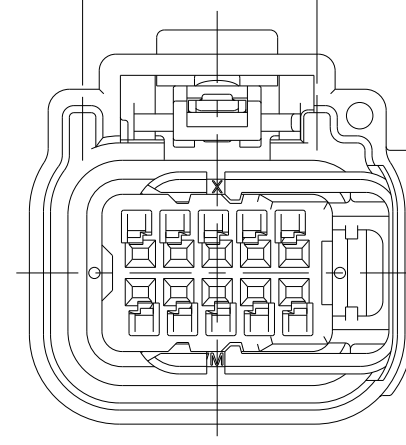


(6.6) (8.9)



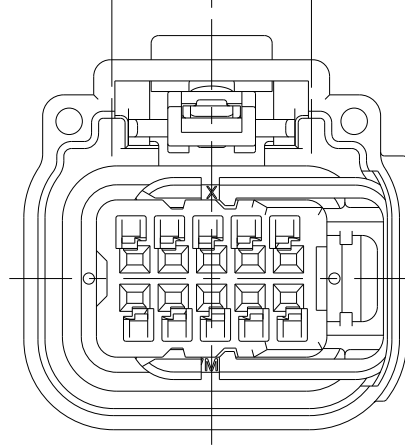
KEYING OPTION "B"

(8.9) (6.6)



KEYING OPTION "C"

(6.6) (6.6)

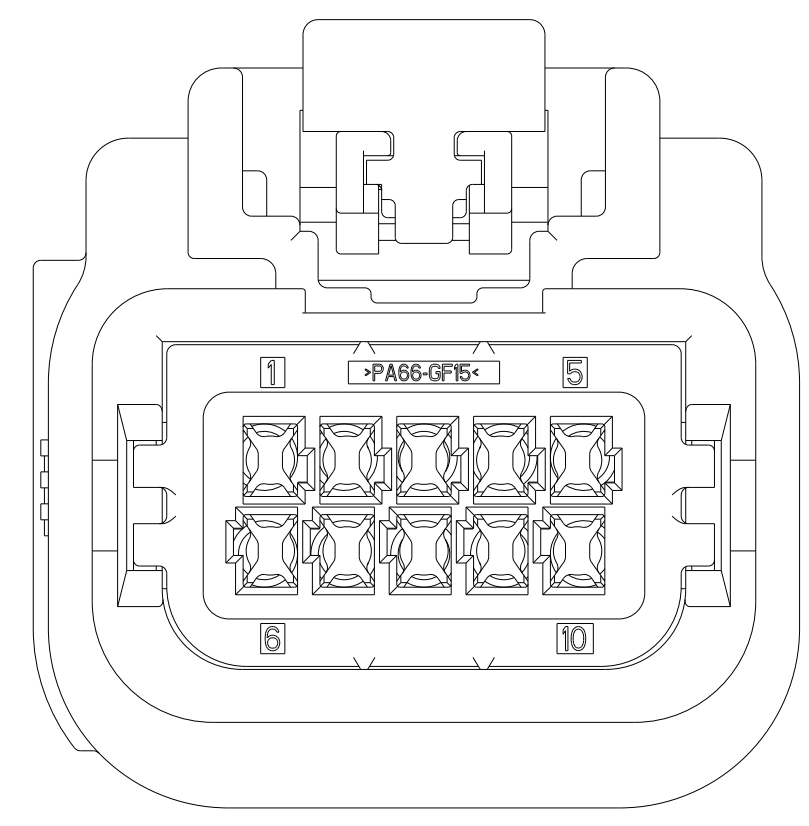


KEYING OPTION "D"

SEE SHEET 2 FOR PART NUMBERS AND CIRCUIT CONFIGURATIONS

THIS DRAWING IS A CONTROLLED DOCUMENT.		DWN S. VINAY 25MAR2009	TE Connectivity	
DIMENSIONS: mm		CHK MD BROWN 14APR2009		
TOLERANCES UNLESS OTHERWISE SPECIFIED:		APVD MD BROWN 14APR2009	NAME PLUG ASSEMBLY, 10 POSITION (2x5), SEALED, GENERATION Y	
0 PLC ± -	1 PLC ± 0.3	PRODUCT SPEC -	SIZE A2	CAGE CODE 00779
2 PLC ± 0.1	3 PLC ± -	APPLICATION SPEC -	DRAWING NO C-2098269	RESTRICTED TO -
4 PLC ± -	ANGLES ± 1°	WEIGHT -	SCALE 2:1	SHEET 1 OF 2
MATERIAL - ¹	FINISH -	CUSTOMER DRAWING	REV B16	

REVISIONS				
P	LTR	DESCRIPTION	DATE	APVD
-	-	SEE SHEET 1	-	-



SECTION ID-ID
SCALE 4:1

10	9	8	7	6	5	4	3	2	1	COLOR	AVAILABILITY	OPTIONAL CPA	KEYING OPTION	PART NUMBER
10	9	8	7	6		4	3	2	1	BLACK	RELEASED	YES	A	5-2098269-5
10	9	8	7	6				2	1	GRAY	RELEASED	YES	B	5-2098269-4
10	9	8	7	6	5			2	1	GRAY	RELEASED	YES	B	5-2098269-3
10	9	8	7	6	5			2	1	BLACK	RELEASED	YES	A	5-2098269-2
10	9	8	7	6				2	1	BLACK	RELEASED	YES	A	5-2098269-1
	9	8	7	6		4				GRAY	RELEASED	YES	B	5-2098269-0
	9		7							GRAY	RELEASED	YES	B	4-2098269-9
		8	7				3	2	1	GRAY	RELEASED	YES	B	4-2098269-8
10	9			6	5	4	3	2	1	GREEN	RELEASED	YES	D	4-2098269-7
10	9				5	4	3	2	1	BLACK	RELEASED	YES	A	4-2098269-6
		8	7	6						BLACK	RELEASED	YES	A	4-2098269-5
		8								BLACK	RELEASED	YES	A	4-2098269-4
10			7	6				2	1	BLACK	RELEASED	YES	A	4-2098269-3
		8	7				3	2	1	BLACK	RELEASED	YES	A	4-2098269-2
10			7	6						BLACK	RELEASED	YES	A	4-2098269-1
10		8								BROWN	RELEASED	YES	C	4-2098269-0
10		8								GRAY	RELEASED	YES	B	3-2098269-9
10										BLACK	RELEASED	YES	A	3-2098269-8
10	9	8				4	3			BLACK	RELEASED	YES	A	3-2098269-7
									1	BLACK	RELEASED	YES	A	3-2098269-6
						4		2	1	BLACK	RELEASED	YES	A	3-2098269-5
										GREEN	PRELIMINARY	YES	D	3-2098269-4
										BROWN	RELEASED	YES	C	3-2098269-3
										GRAY	RELEASED	YES	B	3-2098269-2
										BLACK	RELEASED	YES	A	3-2098269-1
						4		2	1	BLACK	RELEASED	NO	A	2098269-5
										GREEN	RELEASED	NO	D	2098269-4
										BROWN	PRELIMINARY	NO	C	2098269-3
										GRAY	PRELIMINARY	NO	B	2098269-2
										BLACK	RELEASED	NO	A	2098269-1
10	9	8	7	6	5	4	3	2	1	COLOR	AVAILABILITY	OPTIONAL CPA	KEYING OPTION	PART NUMBER

CIRCUIT CONFIGURATION (NUMBER INDICATES BLOCKED CIRCUIT)

THIS DRAWING IS A CONTROLLED DOCUMENT.

DWN	S. VINAY	25MAR2009
CHK	MD BROWN	14APR2009
APVD	MD BROWN	14APR2009

STE TE Connectivity

NAME: PLUG ASSEMBLY, 10 POSITION (2x5), SEALED, GENERATION Y

SIZE	CAGE CODE	DRAWING NO	RESTRICTED TO
A2	00779	C-2098269	-

CUSTOMER DRAWING SCALE 2:1 SHEET 2 OF 2 REV B16