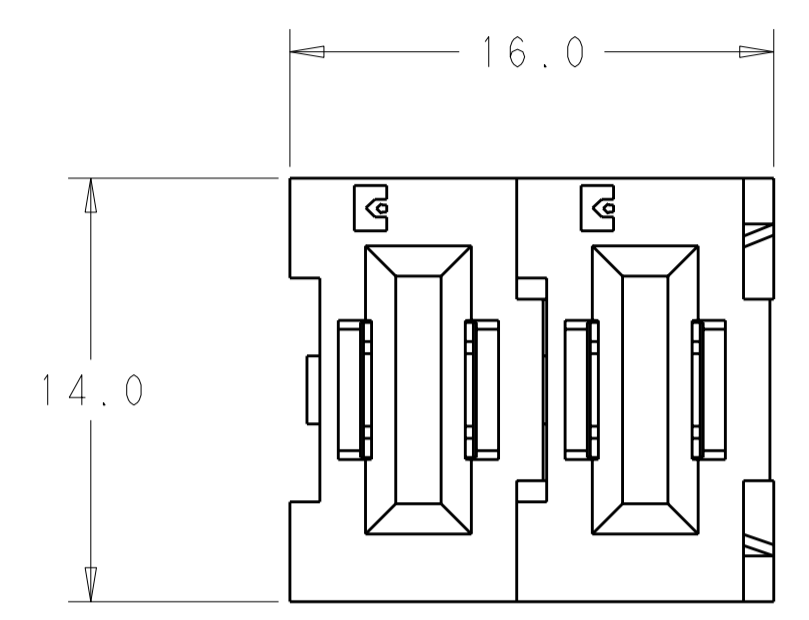


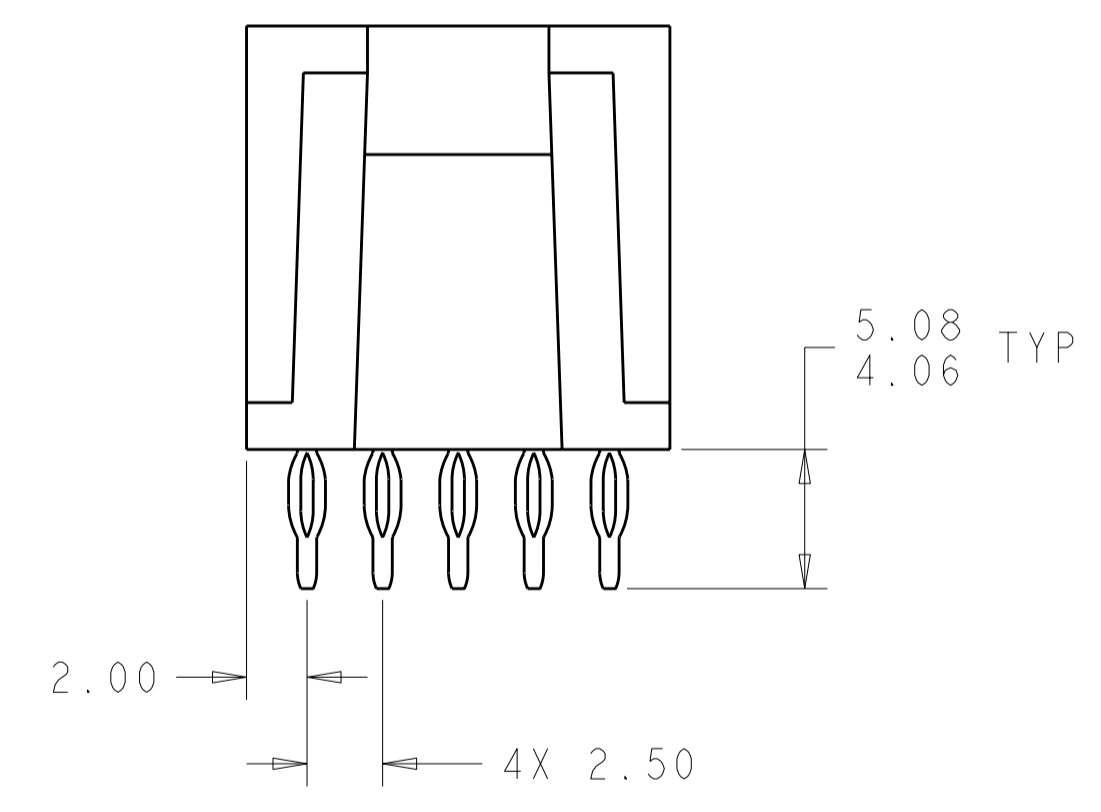
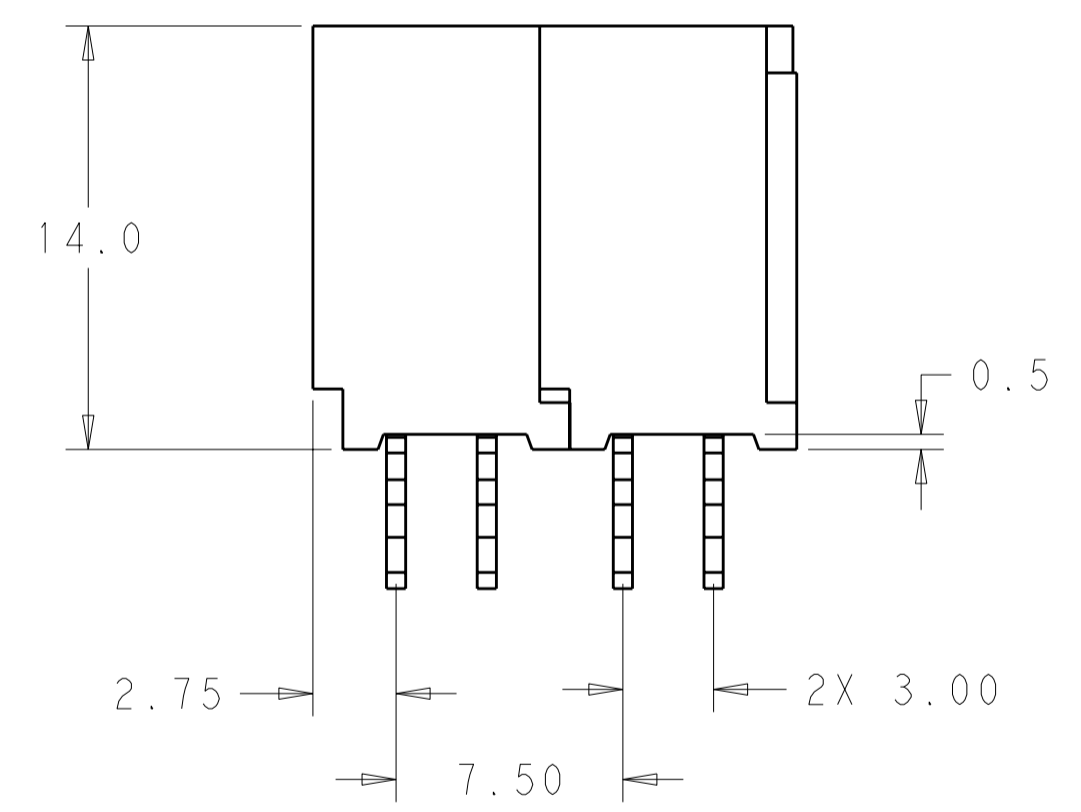
THIS DRAWING IS UNPUBLISHED. RELEASED FOR PUBLICATION 20  
 © COPYRIGHT 20 TE ALL RIGHTS RESERVED.

LOC	DIST	REVISIONS					
GP	00	P	LTR	DESCRIPTION	DATE	DWN	APVD
		1		PROPOSED DESIGN	25MAR2011	RG	MB



- 1 MATERIAL:  
 INSULATOR - THERMOPLASTIC, GLASS REINFORCED,  
 COLOR: BLACK  
 UL94V-0 FLAMABILITY RATED  
 POWER CONTACTS- PHOSPHOR BRONZE ALLOY,  
 COPPER ALLOY  
 CROWN BANDS - BERYLLIUM COPPER ALLOY
- 2 FINISH:  
 CONTACTS - GOLD PLATED 0.76µm MIN. THK OVER NICKEL  
 1.27µm MIN. THK  
 COMPLIANT TAILS - TIN PLATE 2.54µm MIN. THK. OVER  
 NICKEL 1.27µm MIN THK.
- 3. ITEMS PROVIDED TO THIS SPECIFICATION TO BE PERMANENTLY IDENTIFIED ON THE CONTAINER PER THE FOLLOWING IDENTIFIER:

YEAR    WEEK     
 TE CONNECTIVITY P/N DATE CODE (e.g. 0106)  
 XXXXXXXX-X XXXX



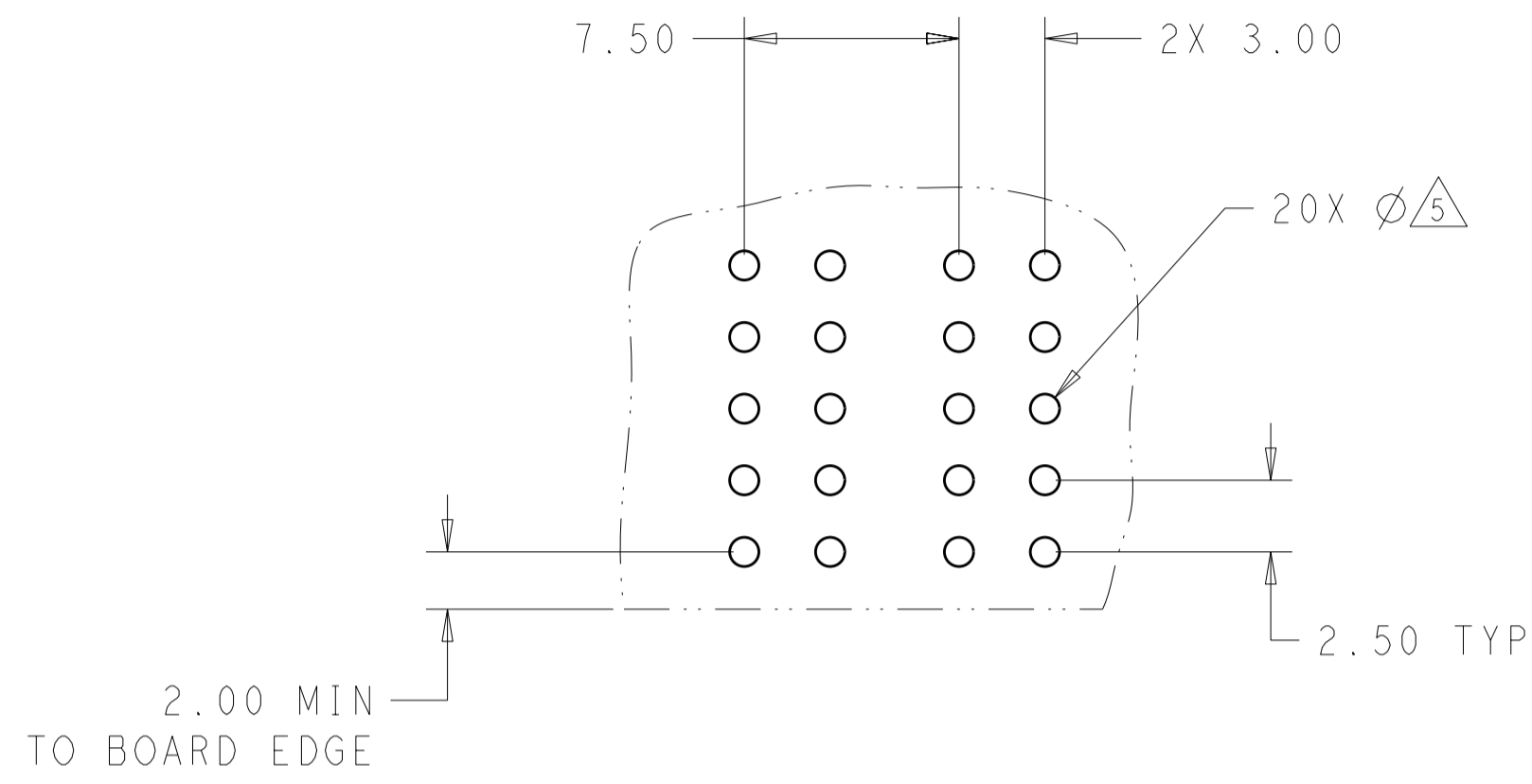
2085752-1  
 PART NUMBER

THIS PRINT IS  
**PRELIMINARY**  
 UNQUALIFIED PRODUCT  
 CONTACT PRODUCT ENGINEERING  
 BEFORE USING THIS PRINT

THIS DRAWING IS A CONTROLLED DOCUMENT.		DWN R. GRZYBOWSKI 25MAR2011	TE Connectivity	
DIMENSIONS: mm		CHK M. BOWERS 25MAR2011		
TOLERANCES UNLESS OTHERWISE SPECIFIED:		APVD M. BOWERS 25MAR2011	NAME SOCKET CONNECTOR ASSEMBLY VERTICAL, COMPLIANT TAIL FLATPAQ	
0 PLC ± 1 PLC ±0.5 2 PLC ±0.25 3 PLC ± 4 PLC ± ANGLES ± FINISH 2		PRODUCT SPEC -	SIZE A200779	DRAWING NO C-2085752
MATERIAL 1		APPLICATION SPEC -	RESTRICTED TO -	
		WEIGHT -	SCALE 4:1	SHEET 1 OF 3
		CUSTOMER DRAWING	REV 1	

THIS DRAWING IS UNPUBLISHED. RELEASED FOR PUBLICATION 20  
 © COPYRIGHT 20 TE ALL RIGHTS RESERVED.

LOC	DIST	REVISIONS			
P	LTR	DESCRIPTION	DATE	DWN	APVD
GP	00	-	SEE SHEET 1	-	-



PRINTED CIRCUIT LAYOUT  
 COMPONENT SIDE

CONNECTOR	CATALOG MODULE #	QTY	SIZE NO.	CONTACT QTY	MATING PIN	MAX. CURRENT (PER CONTACT)	CONTACT SPACING	VOLTAGE RATING
SOCKET	FP200	2	8	2	1.25 X 7.00	35 amps	7.50	250 VOLTS

THIS PRINT IS  
**PRELIMINARY**  
 UNQUALIFIED PRODUCT  
 CONTACT PRODUCT ENGINEERING  
 BEFORE USING THIS PRINT

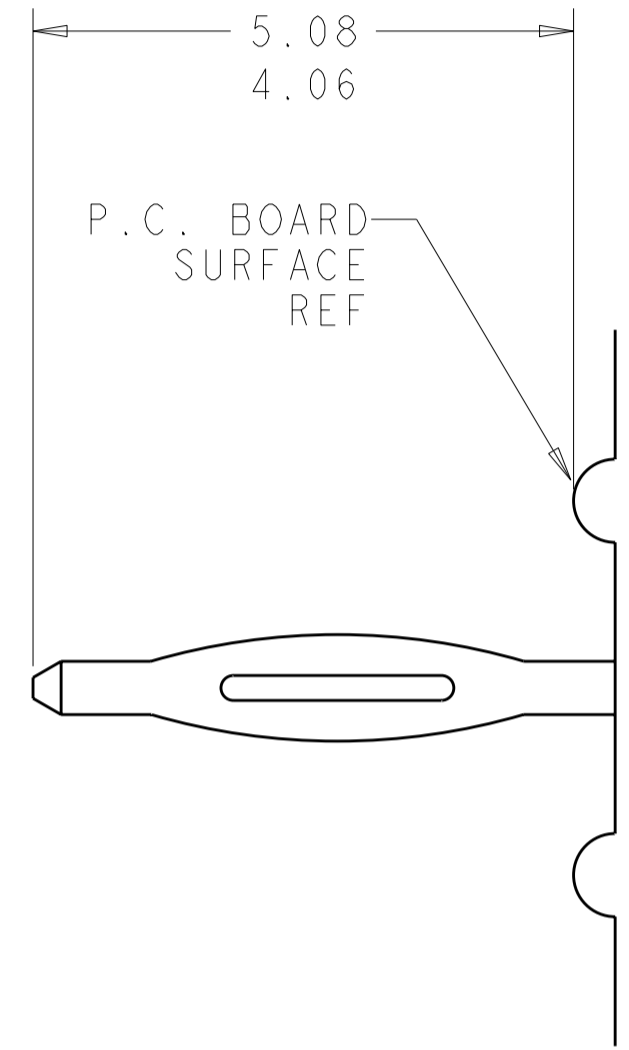
THIS DRAWING IS A CONTROLLED DOCUMENT.

DWN R. GRZYBOWSKI 25MAR2011	TE Connectivity SOCKET CONNECTOR ASSEMBLY VERTICAL, COMPLIANT TAIL FLATPAQ	
CHK M. BOWERS 25MAR2011		
APVD M. BOWERS 25MAR2011		
PRODUCT SPEC		
DIMENSIONS: mm	TOLERANCES UNLESS OTHERWISE SPECIFIED:	NAME
0 PLC ±	1 PLC ±0.5	SIZE
2 PLC ±0.25	3 PLC ±	CAGE CODE
4 PLC ±	ANGLES ±	DRAWING NO
MATERIAL	FINISH	RESTRICTED TO
		A200779C-2085752
		SCALE 4:1 SHEET 2 OF 3 REV 1

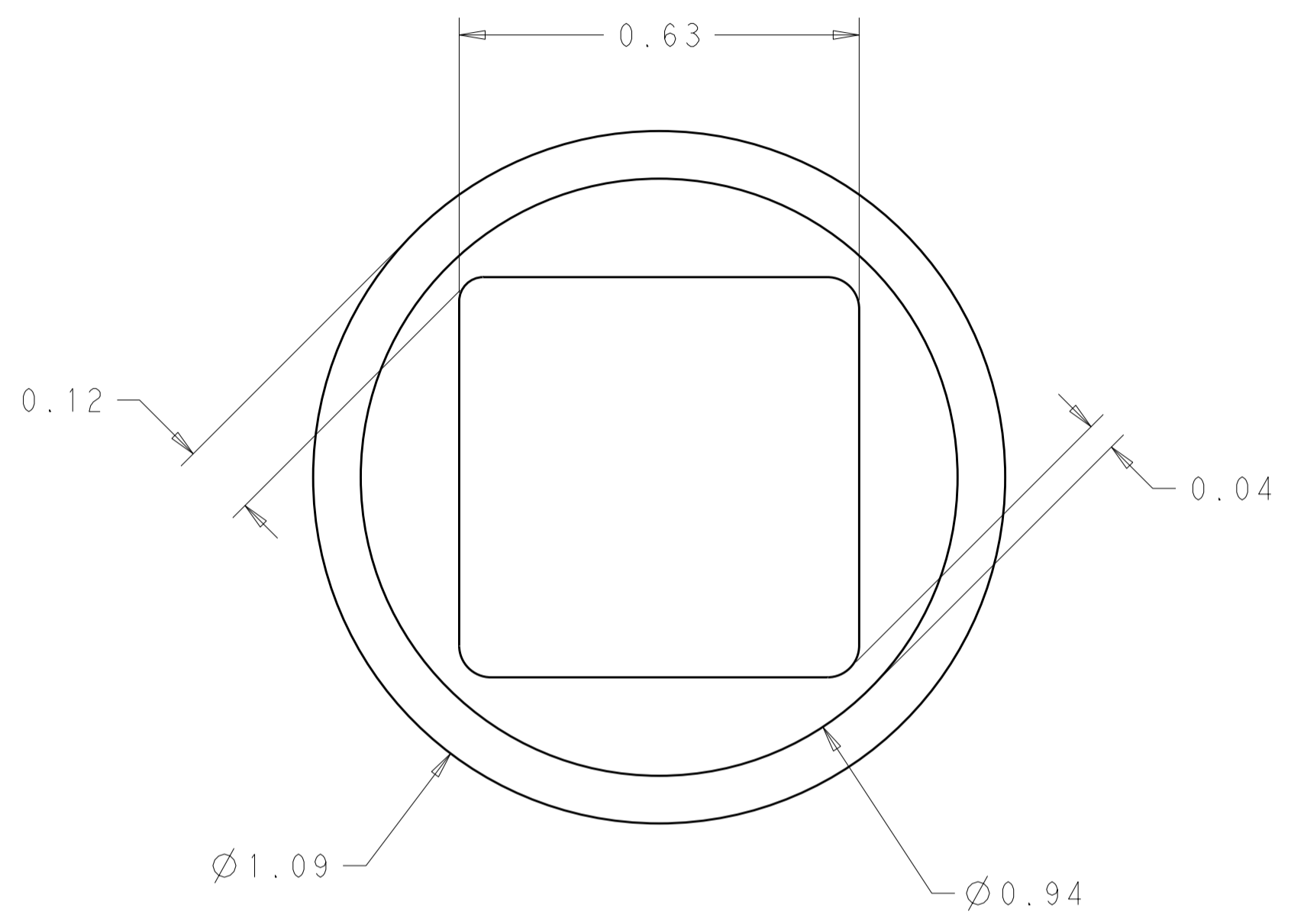
CUSTOMER DRAWING

THIS DRAWING IS UNPUBLISHED.      RELEASED FOR PUBLICATION      20  
 © COPYRIGHT 20      TE      ALL RIGHTS RESERVED.

LOC	DIST	REVISIONS			
P	LTR	DESCRIPTION	DATE	DWN	APVD
GP	00	-	SEE SHEET 1	-	-



4. COMPLIANT PIN DETAIL  
 SCALE 10 : 1  
 INSERTION/EXTRACTION FORCES  
 MAXIMUM PUSH IN: 133.3N PER PIN  
                                   [30 LBS]  
 MINIMUM PUSH OUT: 44.4N PER PIN  
                                   [10 LBS]



5. SOLDER TERMINATION AREA  
 SCALE 40:1  
 RECOMMENDED PRINTED CIRCUIT HOLE  
 COMPLIANT PRESS FIT  
 DRILLED HOLE:  $\varnothing 1.15 \pm .013$   
 COPPER PLATE: .025 TO .050  
 TIN PLATE: .0005 MIN. (PER SURFACE)

THIS PRINT IS  
**PRELIMINARY**  
 UNQUALIFIED PRODUCT  
 CONTACT PRODUCT ENGINEERING  
 BEFORE USING THIS PRINT

THIS DRAWING IS A CONTROLLED DOCUMENT.		DWN R. GRZYBOWSKI 25MAR2011	<b>STE</b> TE Connectivity	
DIMENSIONS: mm		CHK M. BOWERS 25MAR2011		
TOLERANCES UNLESS OTHERWISE SPECIFIED:		APVD M. BOWERS 25MAR2011	NAME SOCKET CONNECTOR ASSEMBLY VERTICAL, COMPLIANT TAIL FLATPAQ	
0 PLC ±-		PRODUCT SPEC	SIZE	RESTRICTED TO
1 PLC ±0.5		APPLICATION SPEC	CAGE CODE	
2 PLC ±0.25		WEIGHT	DRAWING NO	
3 PLC ±-			A200779	
4 PLC ±-			C-2085752	
ANGLES ±-			SCALE 4:1	SHEET 3 OF 3
FINISH ±-		CUSTOMER DRAWING	REV 1	