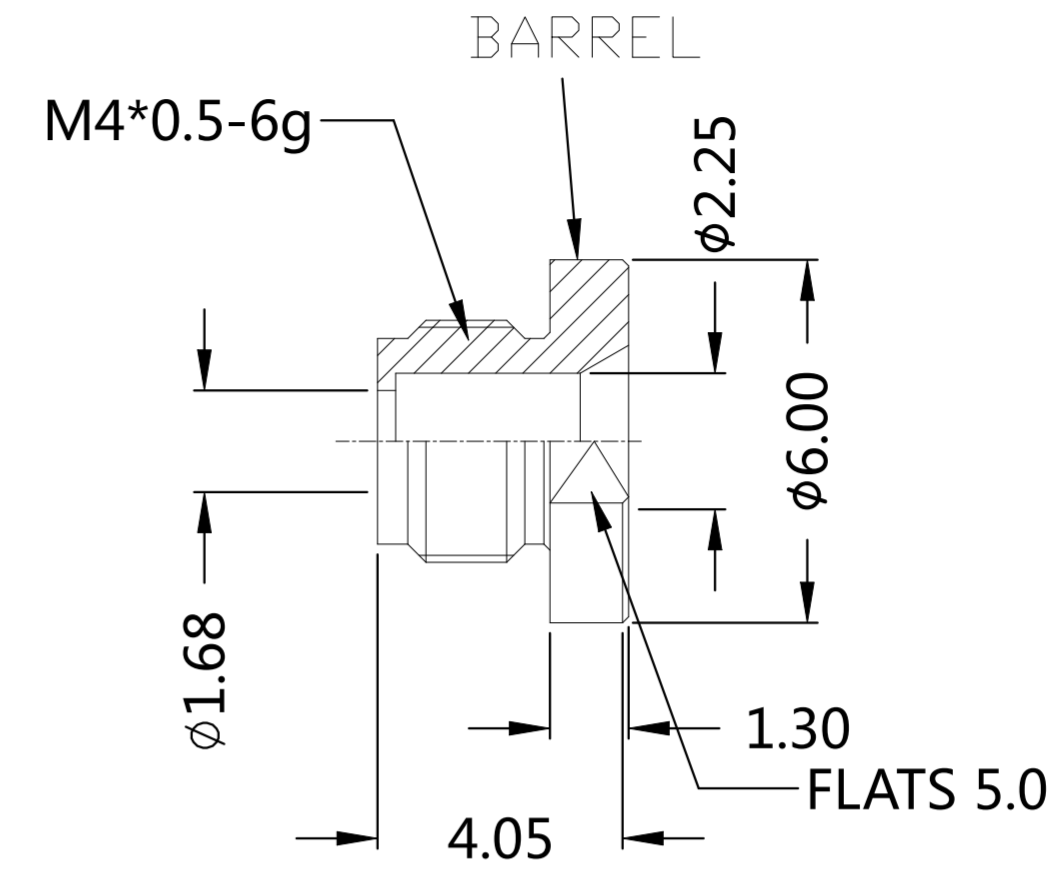
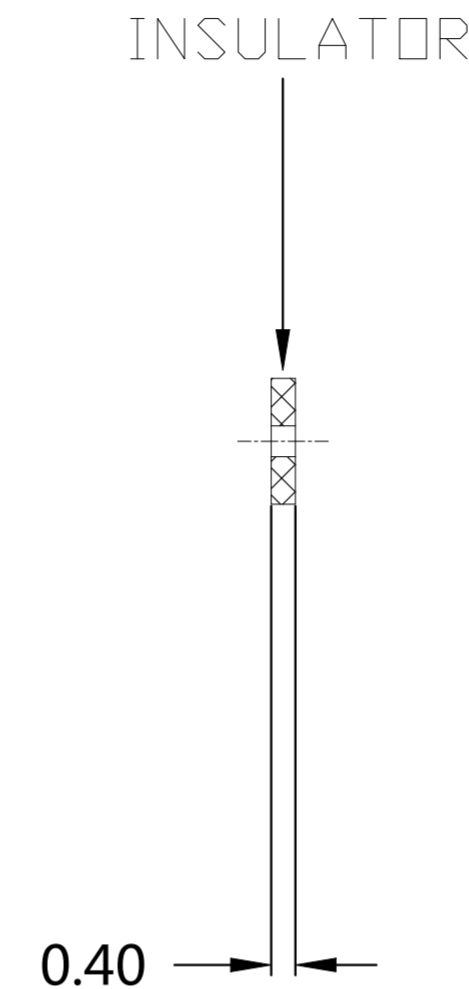
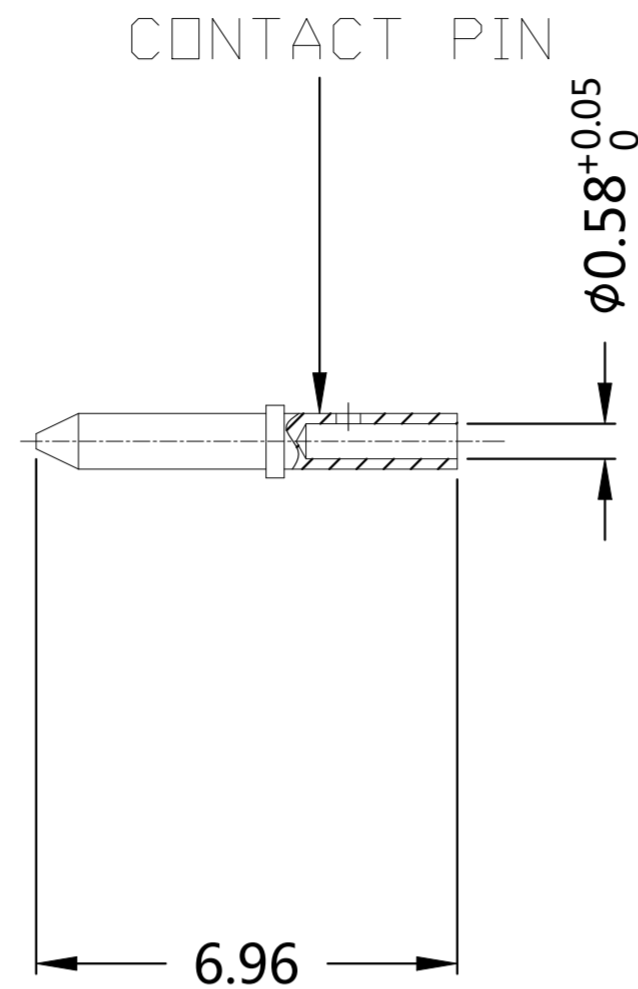
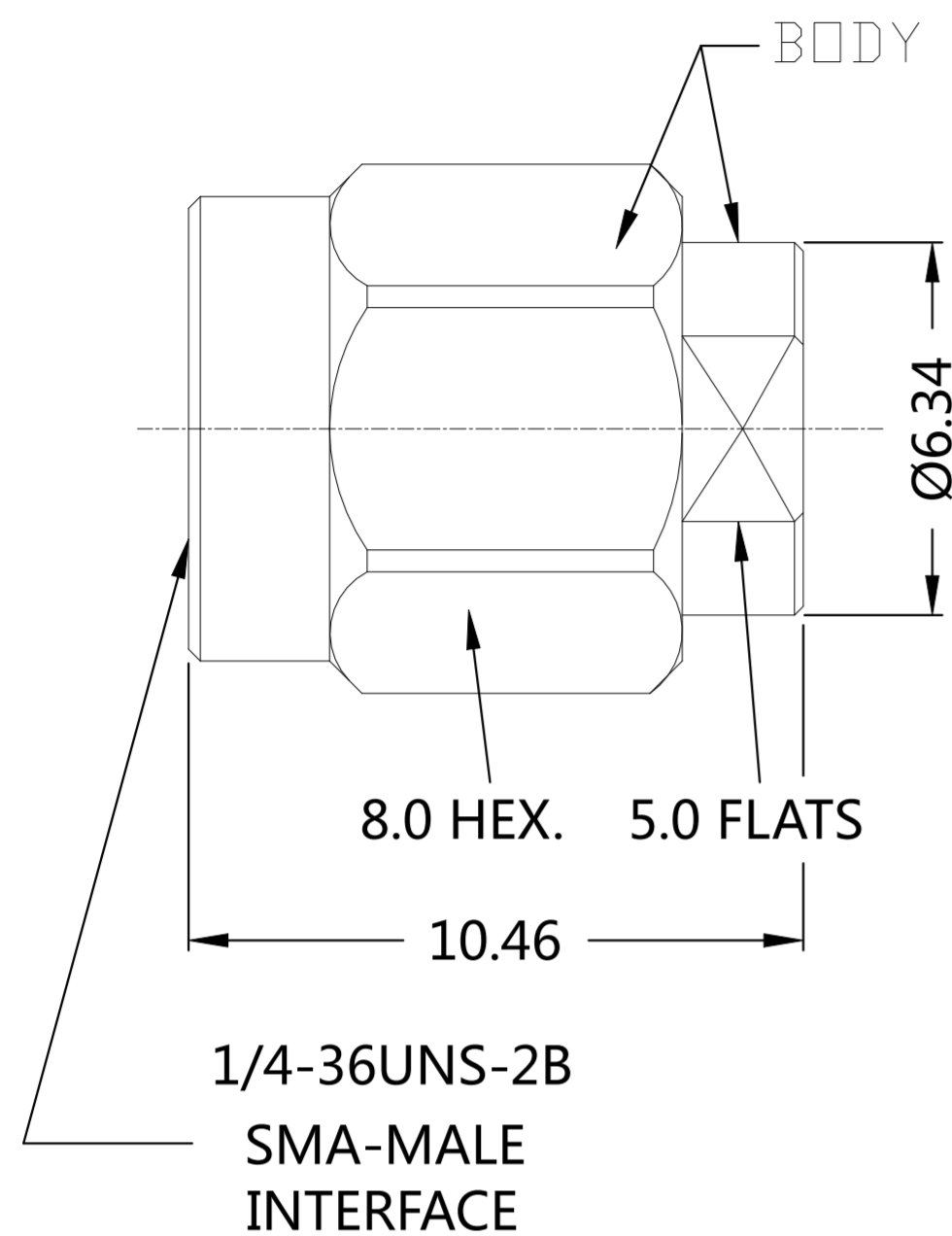
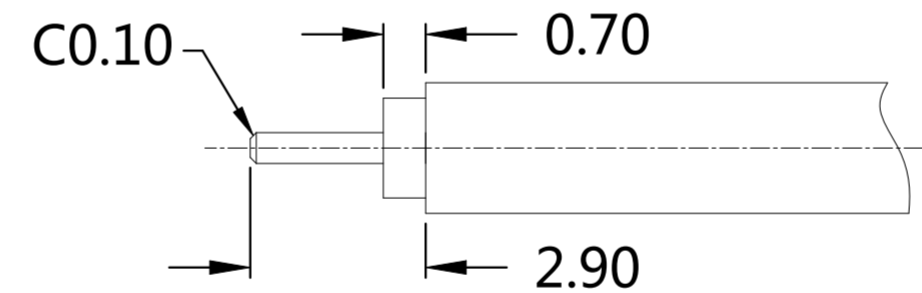


P	LTR	DESCRIPTION	DATE	DWN	APVD
A	GTP		20APR2022	ED	WH



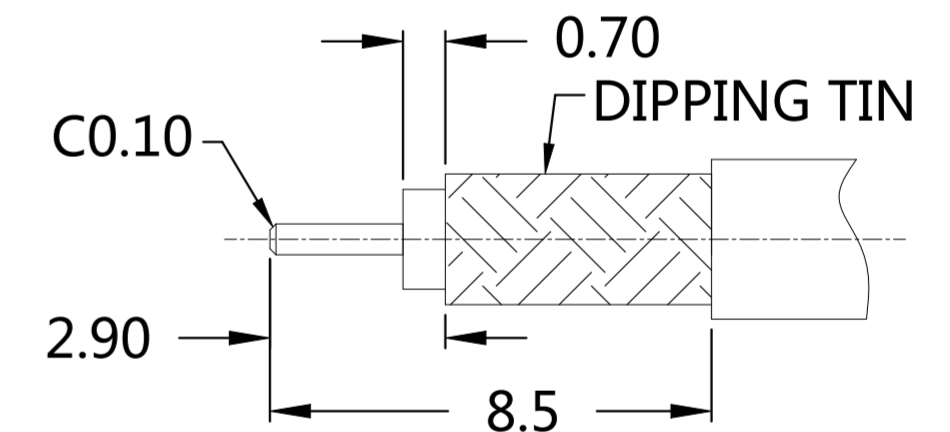
NOTES:

- PACK IN ACCORDANCE WITH TE SPEC 107-3275
- ALL DIMENSIONS ARE NOMINAL FOR REFERENCE ONLY UNLESS OTHERWISE STATED
- GOLD PLATING 0.254um MIN OVER NIKEL PLATING 1.27um MIN OVER COPPER PLATING 1.27um MIN
- GOLD PLATING 0.762um MIN OVER NIKEL PLATING 1.27um MIN OVER COPPER PLATING 1.27um MIN



RECOMMENDED CABLE STRIPPING DIM'S

.086" SEMI-RIGID CABLE



RECOMMENDED CABLE STRIPPING DIM'S

.086" SEMI-FLEX CABLE

ELECTRICAL	MECHANICAL	ENVIRONMENTAL
Impedance (Ohm) 50	Interface Dimension MIL-STD-348B Fig. 310-2	TEMPERATURE RANGE -65°C TO + 165°C
Frequency Range (GHz) DC to 27GHz	Recommended Coupling Torque 7 to 10 In-Lbs	THERMAL SHOCK MIL-STD-202, METH.107, COND.B
Voltage Rating (Peak) @ Sea Level 335 V RMS	Force to Engage and Disengage (In/lbs) 2.0 MAX	CORROSION MIL-STD-202, METH.101, COND.B
Insulation Resistance (MIN.) 5000 M ohms	Center Contact Captivation Axial (Lbs) 6.0 Radial (In/Oz) N/A	VIBRATION MIL-STD-202, METH.204, COND.D
Contact Resistance (Milliohms MAX) Center Contact 3.0 Outer Contact 2.0	Cable Retention Axial (Lbs) N/A	SHOCK MIL-STD-202, METH.213, COND.I
Dielectric Withstand Voltage: 750 V RMS Max	Mating cycles 500 cycles	MOISTURE RESISTANCE MIL-STD-202, METH.106.
Insertion Loss : 0.1*SQRT(F) dB		ROHS COMPLIANT
VSWR: 1.3 MAX(DC-27GHz)		
RF leakage: N/A		
3rd Intermodulation: N/A		

QUANTITY	PER ASSY	PARTS LIST
1	3	BRASS BARREL 5
1	3	BRASS FERRULE 4
1	/	PTFE INSULATOR 3
1	4	BeCu CENTER CONTACT 2
1	PASSIVATION	STAINLESS STEEL BODY 1
2081901-1	PLATING	MATERIAL DESCRIPTION ITEM

THIS DRAWING IS A CONTROLLED DOCUMENT.		DWN ED 30NOV2021	TE Connectivity	
DIMENSIONS: mm		CHK RZ 30NOV2021		
TOLERANCES UNLESS OTHERWISE SPECIFIED:		APVD WH 30NOV2021	NAME	
0 PLC ± -		PRODUCT SPEC	EP-SMA,PLUG,STRAIGHT,27GHz, SOLDER, MATCH WITH 086 CABLE	
1 PLC ± 0.3		APPLICATION SPEC	SIZE	CAGE CODE
2 PLC ± 0.2			A2	00779
3 PLC ± 0.1			DRAWING NO	RESTRICTED TO
4 PLC ± -			C=2081901	
ANGLES ± 5°		WEIGHT 0	SCALE 8:1	SHEET 1 OF 1
MATERIAL SEE TABLE		CUSTOMER DRAWING	REV A	