

THIS DRAWING IS UNPUBLISHED.

RELEASED FOR PUBLICATION AUGUST, 2006.

REVISIONS

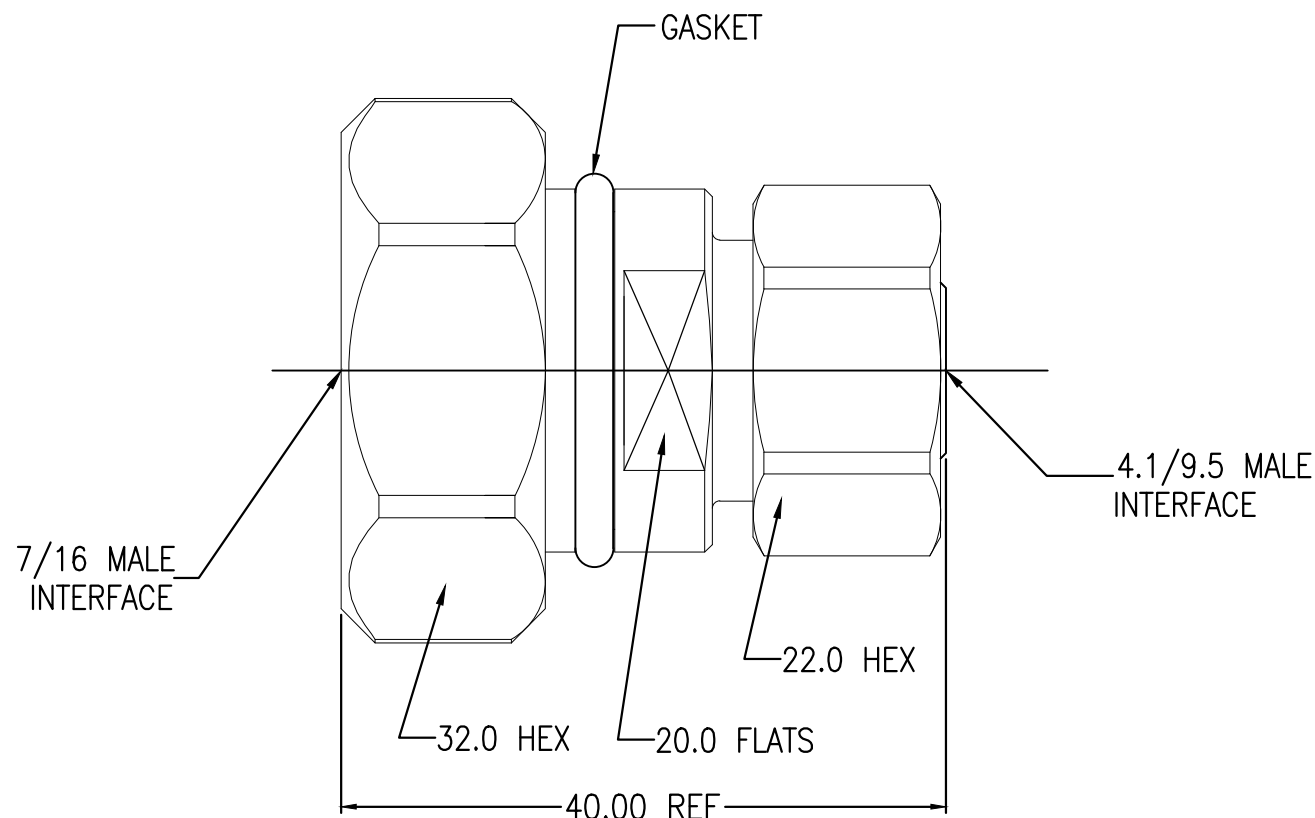
© COPYRIGHT 2006 By -

ALL RIGHTS RESERVED.

P	LTR	DESCRIPTION	DATE	DWN	APVD
	A1	ECR-18-012908	15AUG2018	RZ	RS

NOTES:

- 1 PACK IN ACCORDANCE WITH TE SPEC 107-3275
- 2 CuZnSn PLATING: 80u"
- 3 Ag PLATING: 200u"
- 4 ALL DIMENSIONS ARE NOMINAL FOR REFERENCE ONLY UNLESS OTHERWISE STATED



ELECTRICAL	MECHANICAL	ENVIRONMENTAL
Frequency Range (GHz) DC to 6GHz	Recommended Coupling Torque 44 in-lbs(4.1/9.5) 177-265 in-lbs(7/16)	Temperature Rating -55°C TO +125°C
Voltage Rating (Peak) @ Sea Level 1000 V RMS	Mating cycles 500 cycles	
Insulation Resistance (MIN.) 5000 M ohms	Center contact retention force 40 lbs MIN	
Contact Resistance (Milliohms MAX) Center Contact 1.0 Outer Contact 0.4	VSWR: 1.15 Max @ DC-- 6 GHz	
Dielectric Withstand Voltage: 2500 V RMS Max	Power handling: 450W@2GHz @90°C	
Insertion Loss : 0.1*√F(GHz) dB	3rd Intermodulation: <-166dBc@2X43dBm 900MHz/1800MHz	

QUANTITY PER ASSY	MATERIAL	DESCRIPTION	ITEM
2	PVC/PE (BLACK/BLUE)	DUST CAP	5
1	BRASS	SHELL	4
1	PTFE	INSULATION	3
1	BRASS	CENTER CONTACT	2
1	BRASS	BODY	1
-1			

THIS DRAWING IS A CONTROLLED DOCUMENT.

DIMENSIONS:	TOLERANCES UNLESS OTHERWISE SPECIFIED:
mm	0 PLC ± -
	1 PLC ± 0.2
	2 PLC ± 0.1
	3 PLC ± -
	4 PLC ± -
	ANGLES ± -
MATERIAL	FINISH
SEE TABLE	-

DWN	ED	13JUN 2018
CHK	BW	13JUN 2018
APVD	RS	13JUN 2018
PRODUCT SPEC	-	
APPLICATION SPEC	-	
WEIGHT	0.000000	
CUSTOMER DRAWING		

STE TE Connectivity			
NAME ADAPTER 7/16 DIN Male to 4.1/9.5 DIN Male			
SIZE	CAGE CODE	DRAWING NO	RESTRICTED TO
A3	00779	C-2081555	-
SCALE 2:1		SHEET 1 OF 1	REV A1