

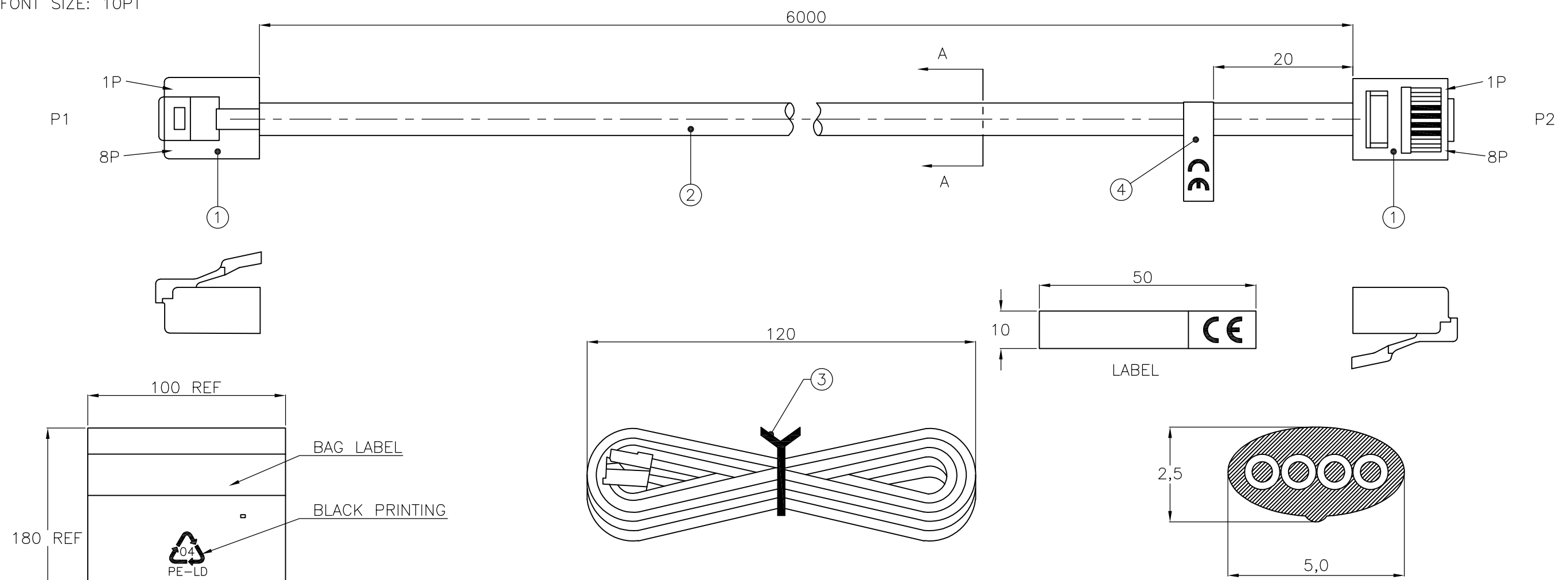
THIS DRAWING IS UNPUBLISHED. RELEASED FOR PUBLICATION
 © COPYRIGHT - By - ALL RIGHTS RESERVED.

LOC	DIST	REVISIONS					
		P	LTR	DESCRIPTION	DATE	DWN	APVD
H	-		B	ECR-09-002746	10-02-09	AEG	BSK
			B1	ECR-09-015335	09-07-09	AEG	BSK
			B2	ECR-13-000606	11JAN13	GSK	BSK

NOTES:

1. LABEL INFO
 - a) DATE CODE YY/MM
 YY = LAST 2 DIGITS OF THE YEAR
 MM = LAST 2 DIGITS OF THE MONTH
 - b) BARCODE SYMBOLOLOGY: CODE 39
 - c) FONT SIZE: 10PT

CUSTOMER PN	TE PN
351330442361	2073244-1



P1	WIRE COLOR	P2
3	BLACK	3
4	RED	4
5	GREEN	5
6	YELLOW	6

QTY	DESCRIPTION	ITEM
1	LABEL	4
1	TIE L=120mm	3
1	CABLE, BLACK UL2835 30AWG*4C OD2,5*5,00mm	2
2	CONN RJ45 8P4C SHORT TYPE 50U"	1



THIS DRAWING IS A CONTROLLED DOCUMENT.		DWN B.S.VISWESWARA 08JUL08	TE Connectivity													
DIMENSIONS: mm		CHK B.SKUGOR 05NOV08														
TOLERANCES UNLESS OTHERWISE SPECIFIED:		APVD R.SMEETS 05NOV08	NAME PATCHCORD 8P4C													
<table border="0"> <tr><td>0 PLC</td><td>± -</td></tr> <tr><td>1 PLC</td><td>± -</td></tr> <tr><td>2 PLC</td><td>± -</td></tr> <tr><td>3 PLC</td><td>± -</td></tr> <tr><td>4 PLC</td><td>± -</td></tr> <tr><td>ANGLES</td><td>± -</td></tr> </table>		0 PLC	± -	1 PLC	± -	2 PLC	± -	3 PLC	± -	4 PLC	± -	ANGLES	± -	PRODUCT SPEC -	SIZE A3	
0 PLC	± -															
1 PLC	± -															
2 PLC	± -															
3 PLC	± -															
4 PLC	± -															
ANGLES	± -															
MATERIAL -		APPLICATION SPEC -	CAGE CODE 00779	DRAWING NO C-2073244												
FINISH -		WEIGHT -	RESTRICTED TO -													
CUSTOMER DRAWING			SCALE NTS	SHEET 1 OF 1												
			REV B2													