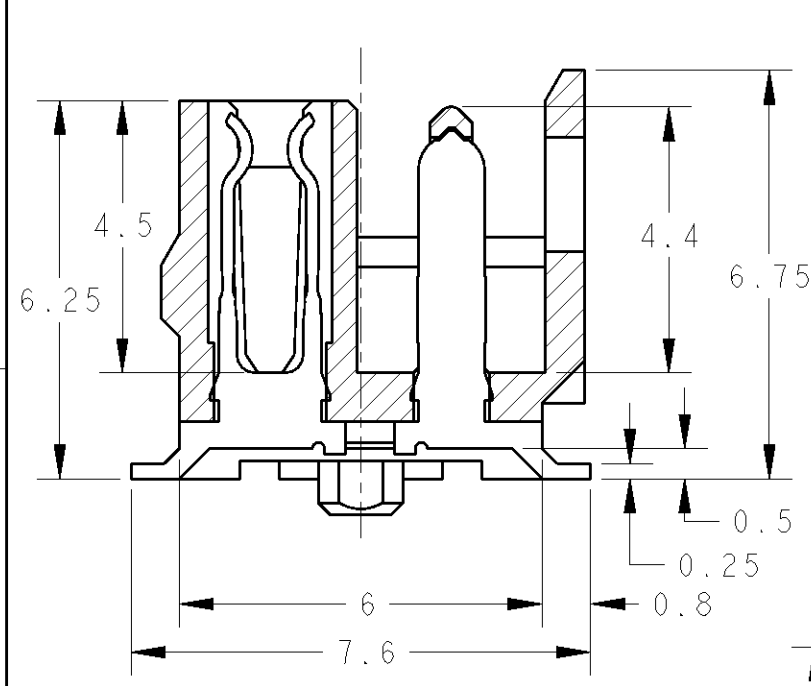
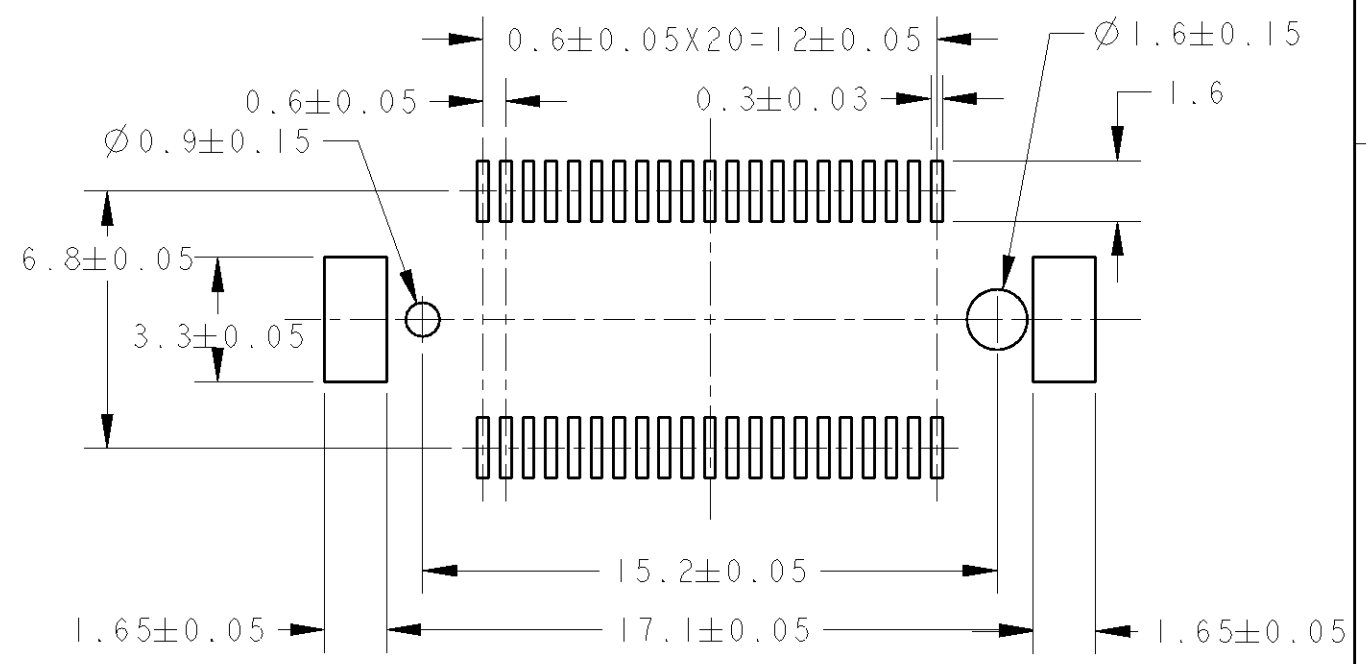
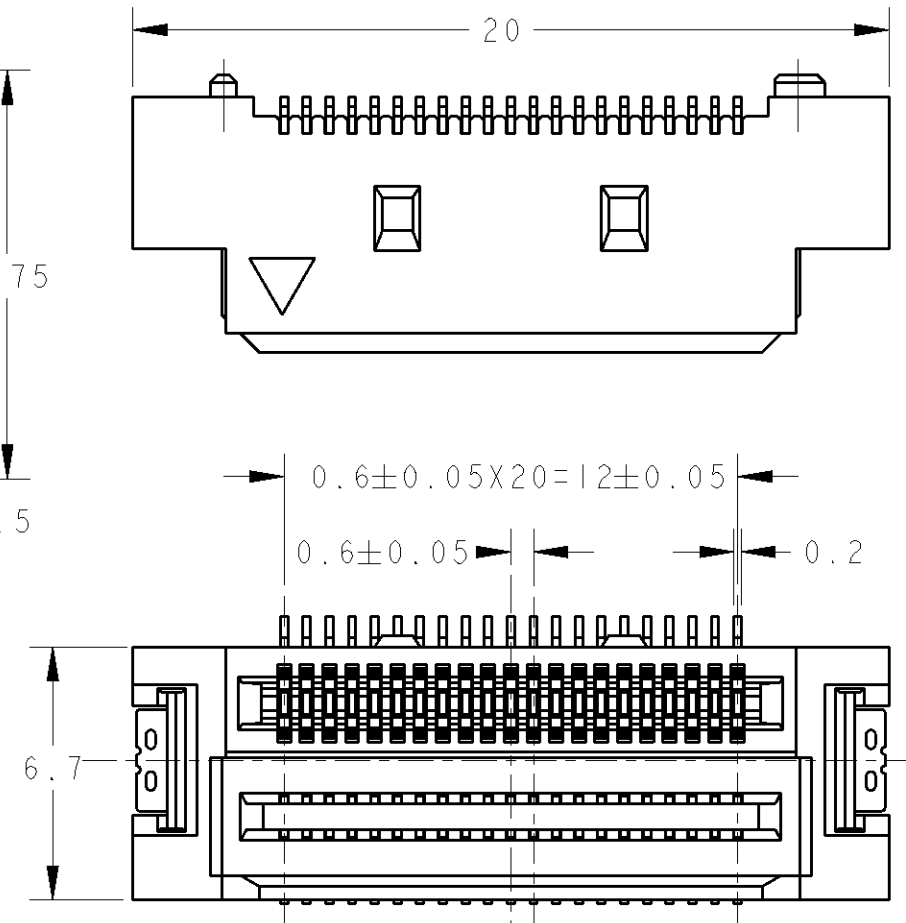


THIS DRAWING IS UNPUBLISHED. RELEASED FOR PUBLICATION 20  
 © COPYRIGHT 20 BY TYCO ELECTRONICS CORPORATION. ALL RIGHTS RESERVED.

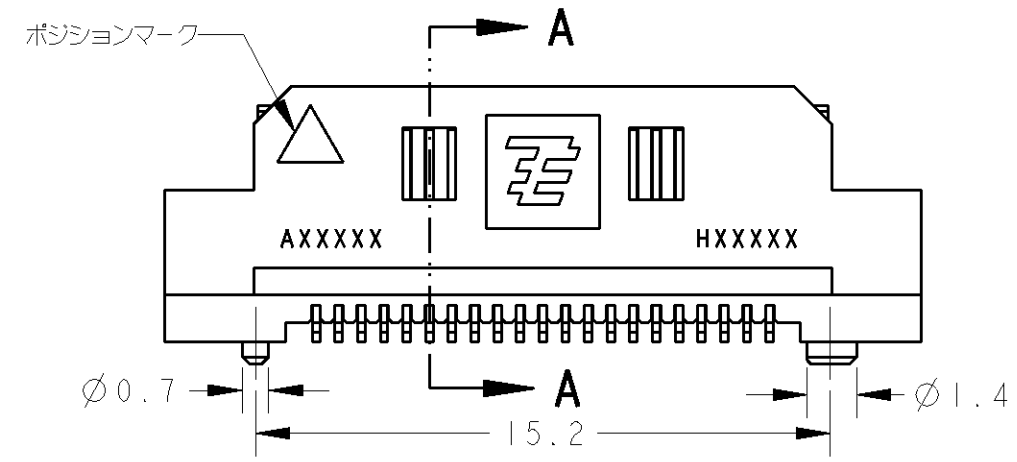
LOC	DIST	REVISIONS					
		P	LTR	DESCRIPTION	DATE	DWN	APVD
J	-		A	RELEASED	22JUL2008	J.A	A.O



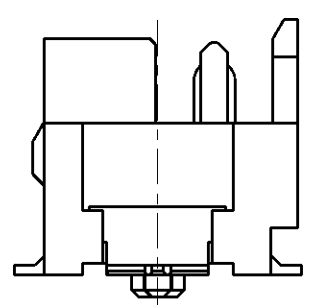
A - A  
SCALE 8:1



推奨基板取付寸法  
RECOMMEND P.C. BOARD LAYOUT



- 1 材料:ハウジング:ポリアミド  
コンタクト:銅合金
  - 2 仕上げ:全面ニッケル下地 1.3μm MIN  
接点部 金めっき 0.5μm MIN  
半田付部 金フラッシュ  
ペグ 錫めっき 2μm MIN
  - 3.コプラナリティ 0.1 MAX
- 1 MATERIAL ; HOUSING ; PA  
CONTACT ; COPPER ALLOY
- 2 FINISH ; UNDER Ni 1.3μm MIN ALL OVER  
CONTACT AREA Au 0.5μm MIN  
SOLDERING AREA Au FLASH  
PEG Sn 2μm MIN
- 3.COPLANARITY 0.1 MAX



THIS DRAWING IS A CONTROLLED DOCUMENT FOR TYCO ELECTRONICS CORPORATION IT IS SUBJECT TO CHANGE AND THE CONTROLLING ENGINEERING ORGANIZATION SHOULD BE CONTACTED FOR THE LATEST REVISION.		DWN J. AKASAKA 22JUL2008	Tyco Electronics Corporation Kawasaki, Japan	
DIMENSIONS: 単位: 概 mm		CHK A. OOISHI 31JUL2008	NAME 名称 Z-STACK コネクタ 42極 TYPE F8 Z-STACK CONN, 42P	
TOLERANCES UNLESS OTHERWISE SPECIFIED: 一般公差 PLC ± 10% ±0.2 1 PLC ± 30% >10 ±0.25 2 PLC ± 100% >30 ±0.3 3 PLC PLC ANGLES ±3°		APVD A. OOISHI 31JUL2008	DRAWING NO 番号 A300779 C=2069389	
MATERIAL 材料		PRODUCT SPEC 製品規格 108-5524	SIZE A300779	RESTRICTED TO -
FINISH 仕上		APPLICATION SPEC 取付適用規格 -	WEIGHT 1.0g	SCALE 尺度 5:1
CUSTOMER DRAWING		SHEET 1 OF 1		REV A