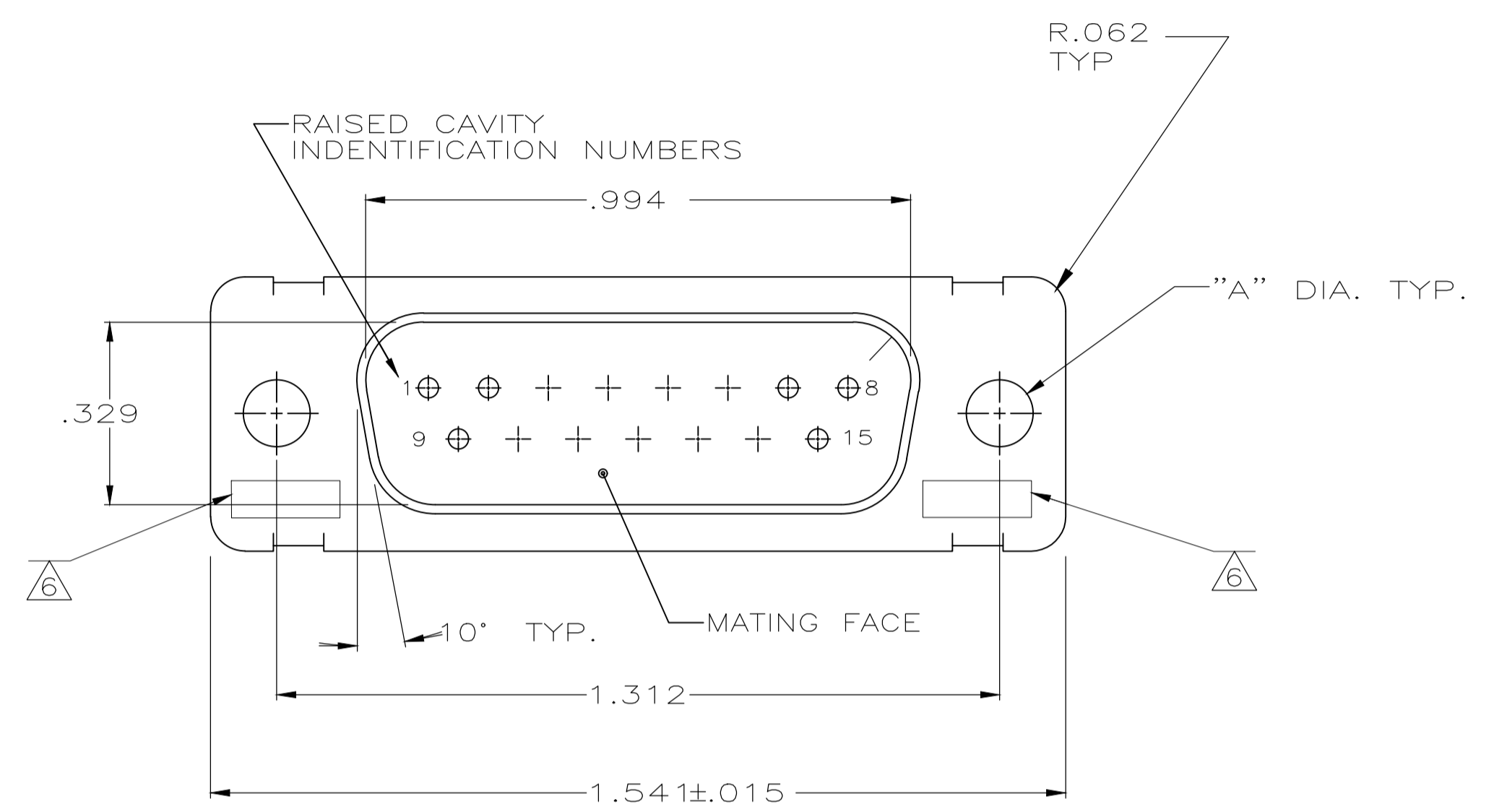
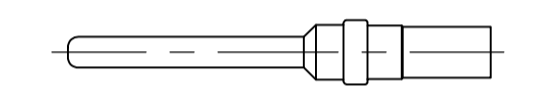


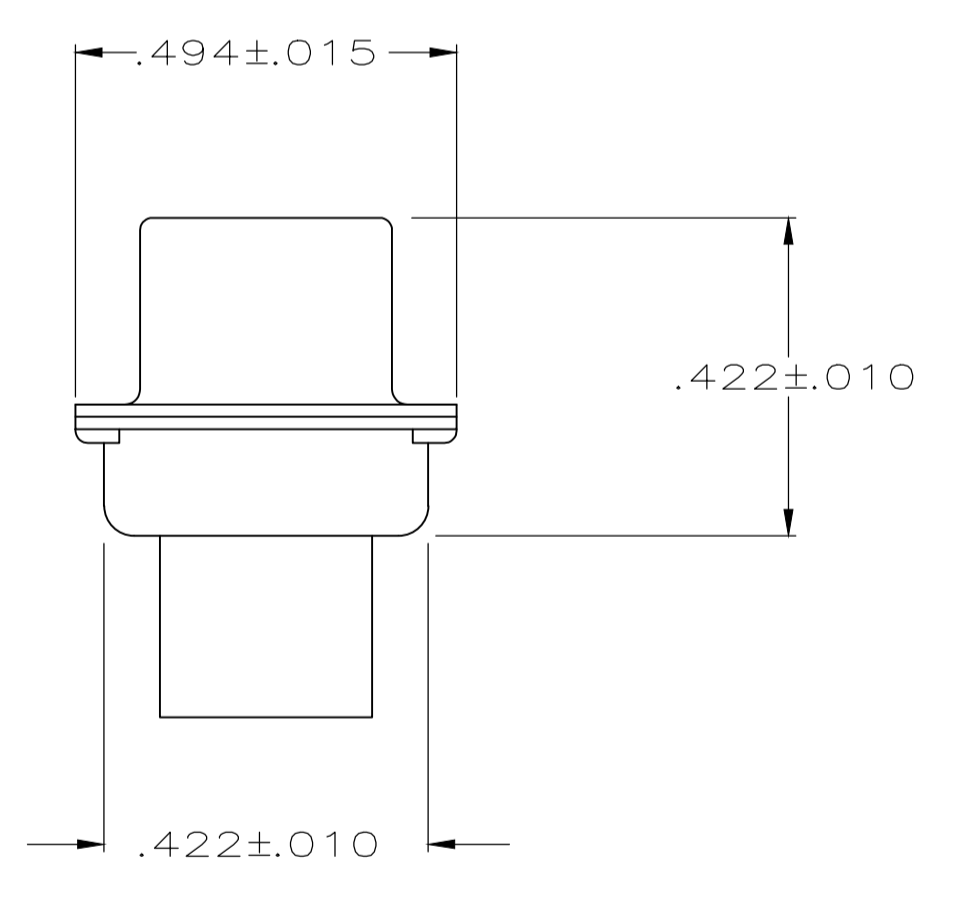
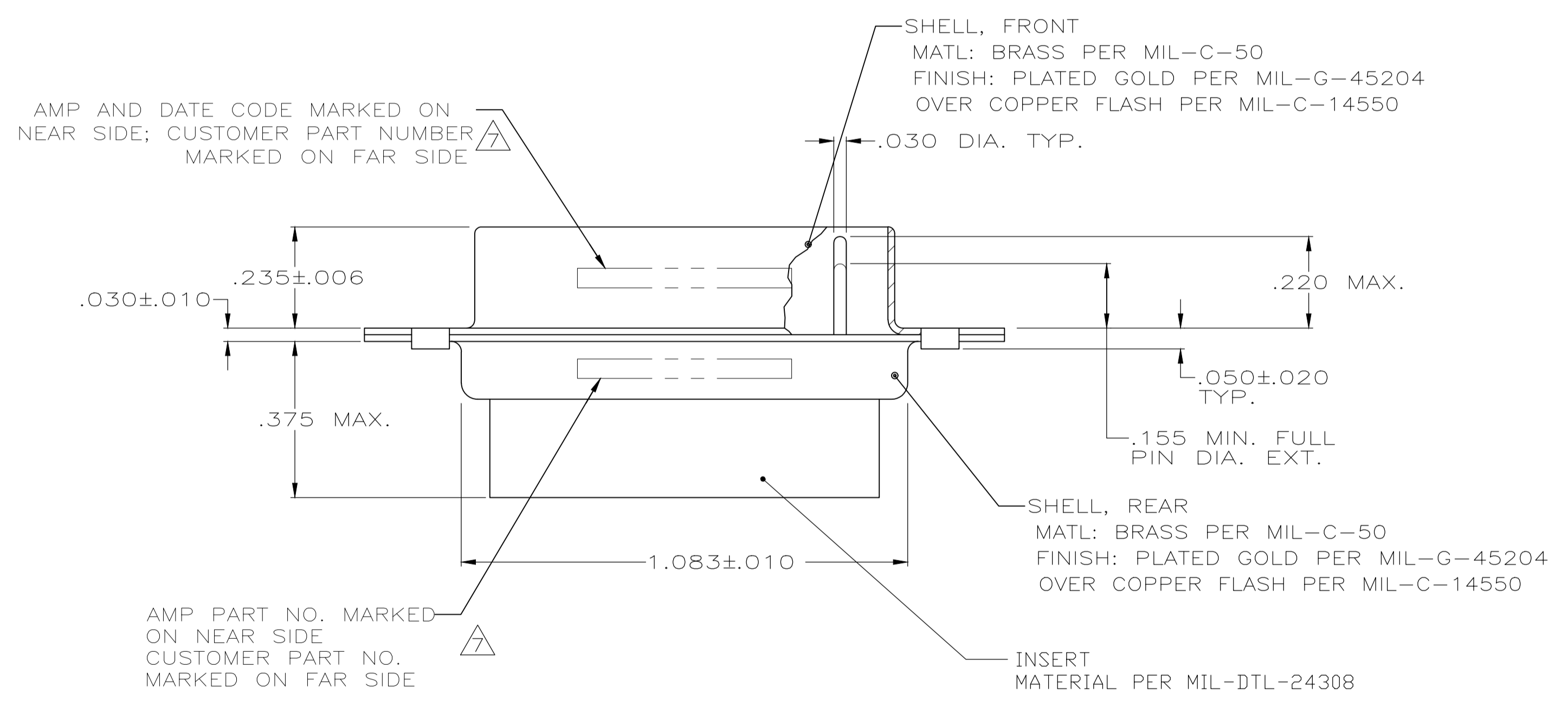
| REVISIONS | | | | | |
|-----------|-----|-----------------------|----------|-----|------|
| P | LTR | DESCRIPTION | DATE | DMN | APVD |
| R | | REV PER ECO 20-009777 | 10-16-20 | CT | DM |



- △ THIS PLUG WILL MATE WITH ANY RECEPTACLE CONNECTOR WITH THE SAME INSERT ARRANGEMENT AS DEFINED BY MS18274-1.
- 2. MAXIMUM WIRE INSULATION TO BE USED WITH THIS PLUG IS .072 [1.83] DIA.
- 3. BERYLLIUM COPPER RETENTION CLIPS (15) ARE INCLUDED IN INSERT ASSEMBLY.
- 4. CONNECTOR SUPPLIED WITHOUT CONTACTS; SHOWN FOR ILLUSTRATION ONLY.
- △ THESE CONNECTORS ARE QUALIFIED TO GODDARD SPACE FLIGHT CENTER SPECIFICATION S-311-P-4.
- △ UL/CSA DESIGNATION MARKED IN THIS AREA, OPTIONAL.
- △ CUSTOMER PART NUMBER MAY BE SPLIT BETWEEN FRONT AND REAR SHELL, SAME SIDE. FAR SIDE REFERS TO WIDE SIDE OF KEYSTONE, NEAR SIDE REFERS TO NARROW SIDE OF KEYSTONE.
- △ RESTRICTED TO CAE ELECTRONICS ONLY.
- △ CONTACTS FOR 206798-8 ARE UNASSEMBLED.



CONTACT P/N 205089-1
 (MIL-39029/64-369) △
 (SUPPLIED WITH 206798-8 ONLY)
 QTY = 15



| | | | | | |
|----------|-----|-------|-------------------|-------------|-----------------|
| OBSOLETE | △ △ | .120 | 570513-7 | 206798-9 | 206798-9 |
| | △ △ | .120 | B41-P10009-0013 | 206798-8 | 206798-8 |
| | △ △ | .120 | 311P409-2P-B-12 | 206798-2 | 206798-7 |
| | | .120 | 122137P15P | 206798-6 | 206798-6 |
| | | .120 | 2A014-002V-001 | 206798-4 | 206798-4 |
| | | .154 | - | 206798-3 | 206798-3 |
| | △ | .120 | 311P409-2P-B-12 | 206798-2 | 206798-2 |
| | △ | .154 | 311P409-2P-B-15 | 206798-1 | 206798-1 |
| REMARKS | | DIA A | MARK CUSTOMER P/N | MARK TE P/N | ASSEMBLY NUMBER |

THIS DRAWING IS A CONTROLLED DOCUMENT.

DIN T. WIEST 12-9-88
 CIK A EMADI 12-11-88

TE Connectivity

PLUG FOR PIN CONTACTS
 SERIES 109, SIZE 2
 15 POSITION

PRODUCT SPEC
 APPLICATION SPEC

SIZE CAGE CODE DRAWING NO. RESTRICTED TO
 WEIGHT 0.000000 A1 00779 C=206798
 CUSTOMER DRAWING SCALE 4:1 SHEET 1 OF 1 REV R