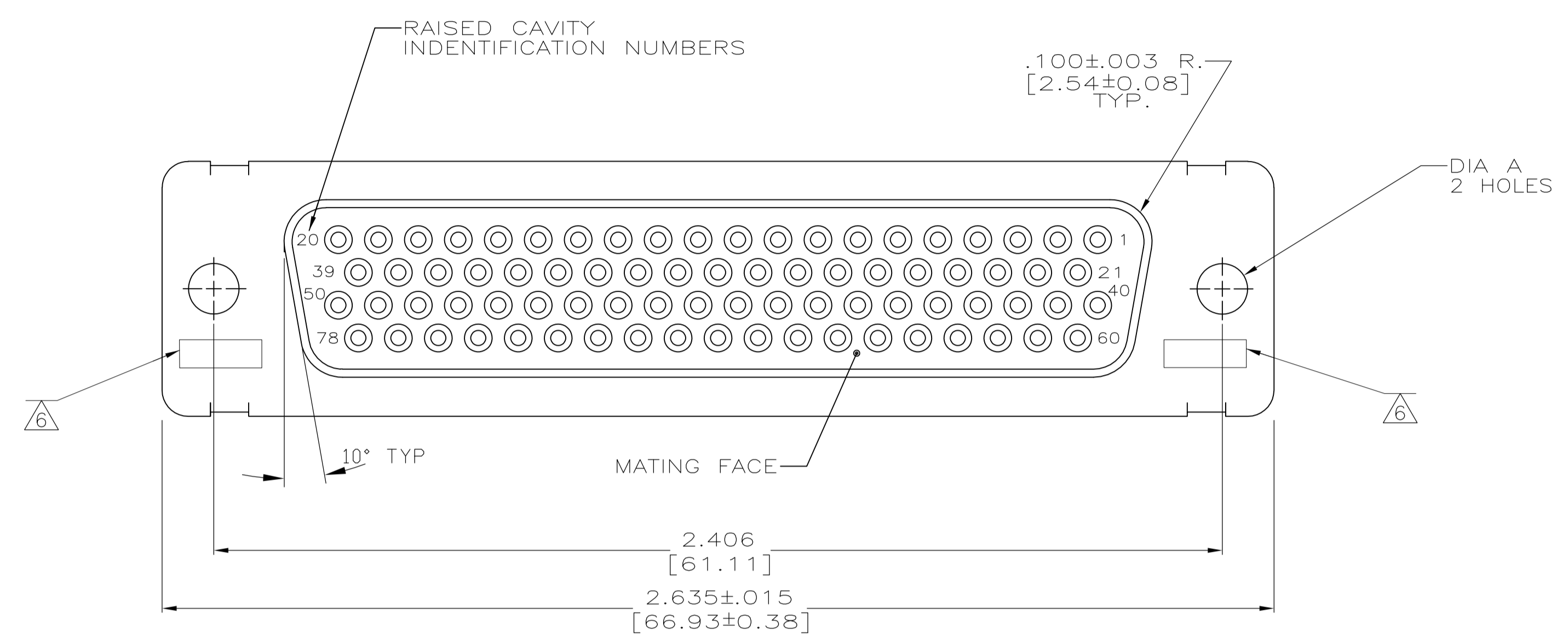
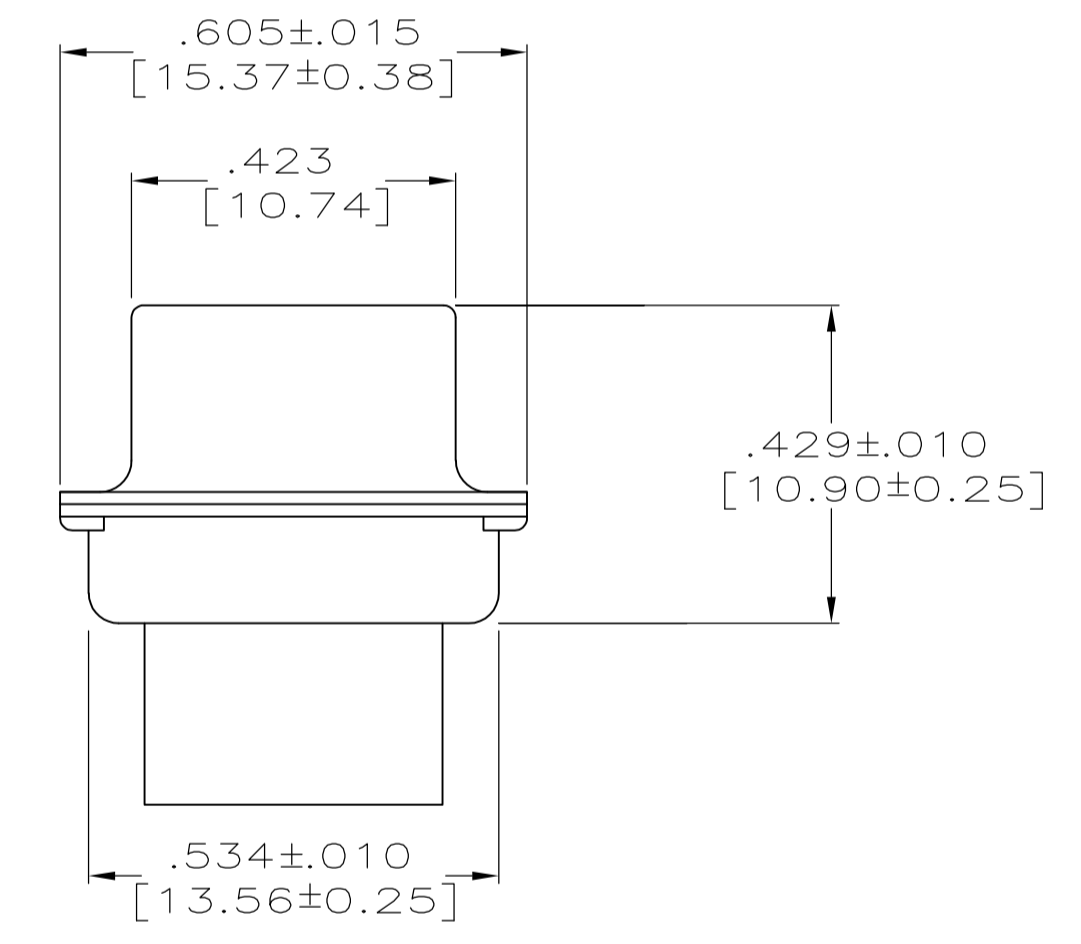
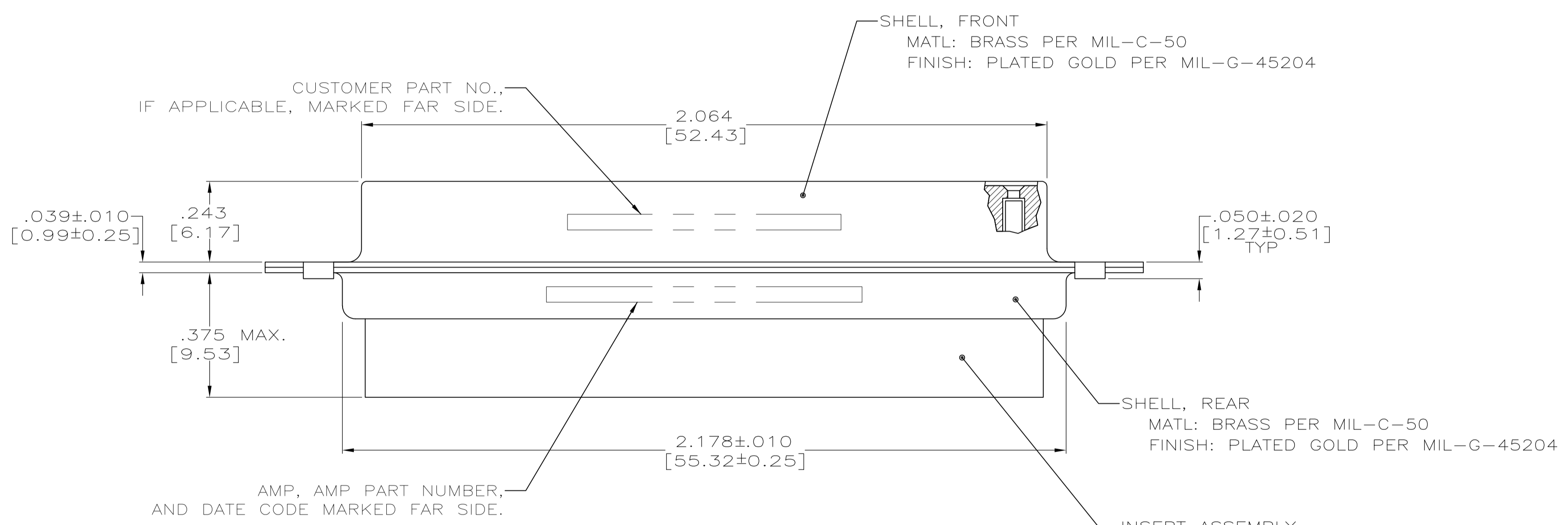


REVISONS		DATE	DWN	APVD
LOC	DIST	DESCRIPTION		
Y		REV PER ECO 15-016064	11-9-15	CT CD



- THIS RECEPTACLE WILL MATE WITH ANY PLUG CONNECTOR WITH THE SAME INSERT ARRANGEMENT AS DEFINED BY MS18277-2.
  - MAXIMUM WIRE INSULATION USED WITH THIS RCPT. IS .054 [1.37] DIA.
  - Be-Cu RETENTION CLIPS ARE INCLUDED IN INSERTS.
- 4 INSPECTION REQUIREMENTS PER R4383.
  - 5 CONNECTOR SUPPLIED WITH 86 CONTACTS, AMP PART NUMBER 206071-1. INSPECTION REQUIREMENTS PER R4383 WITHOUT TESTS FOR HIGH ALTITUDE DIELECTRIC WITHSTANDING VOLTAGE AS CALLED FOR IN TABLE II SCREENING AND TESTING.
  - 6 UL/CSA DESIGNATION STAMPED IN THIS AREA, OPTIONAL
  - 7 SPECIAL TESTING PER GE DOCUMENT 20025720. CONNECTOR SUPPLIED WITH 88 CONTACTS, AMP P/N 206071-1.
  - 8 RESTRICTED TO CAE ELECTRONICS ONLY.
  - 9 THESE CONNECTORS ARE QUALIFIED TO GODDARD SPACE FLIGHT CENTER SPECIFICATION S-311-P-4.
  - 10 CONNECTOR SUPPLIED WITH 78 CONTACTS, AMP PART NUMBER 206071-1; (NOT INSTALLED).
  - 11 SINGLE LOT DATE CODE AND 100% GROUP "A" ACCEPTANCE TESTING PER CI-2A-019.



AMP P/N 206071-1  
GSFC P/N G-08-S1

REMARKS	DIA A	CUSTOMER P/N ON CONNECTOR	AMP P/N ON CONNECTOR	AMP P/N
11	.120 [3.05]	CI-2A-019-004V-001	1-206505-4	1-206505-4
10	.120 [3.05]	570566-5	1-206505-3	1-206505-3
10	.120 [3.05]	LMSC 1621480-006	1-206505-2	1-206505-2
-	.120 [3.05]	LMSC 1621480-006	1-206505-1	1-206505-1
8, 9	.120 [3.05]	311P407-5S-B-12	206505-4	1-206505-0
7	.120 [3.05]	20025720P1078S	206505-9	206505-9
5	.120 [3.05]	R4383P78S	206505-8	206505-8
	.154 [3.91]		206505-7	206505-7
4	.120 [3.05]	R4383P78S-2	206505-6	206505-6
	.120 [3.05]	SC81D139-045	206505-5	206505-5
9	.120 [3.05]	311P407-5S-B-12	206505-4	206505-4
	.154 [3.91]		206505-3	206505-3
	.120 [3.05]	R9259P78S	206505-2	206505-2
9	.154 [3.91]	311P407-5S-B-15	206505-1	206505-1

THIS DRAWING IS A CONTROLLED DOCUMENT. DIMENSIONS: INCHES. TOLERANCES UNLESS OTHERWISE SPECIFIED: 0 PLC ± .005 [0.13], 1 PLC ± .005 [0.13], 2 PLC ± .005 [0.13], 3 PLC ± .005 [0.13], 4 PLC ± .005 [0.13]. ANGLES: ± 1'.

MATERIAL: SEE CALLOUTS. FINISH: SEE CALLOUTS.

APPROVED: M. CLOUSER (12-16-88), T. CANTLIN (1-24-89), F. KINSEY (1-25-89). NAME: AMP/MLTE NONMAGNETIC RECEPTACLE ASSEMBLY, SERIES 90, SHELL SIZE 5, 78 POSITION.

SIZE: A1. CAGE CODE: 00779. DRAWING NO: 206505. WEIGHT: -. RESTRICTED TO: CUSTOMER DRAWING. SCALE: 4:1. SHEET: 1 OF 1. REV: Y.