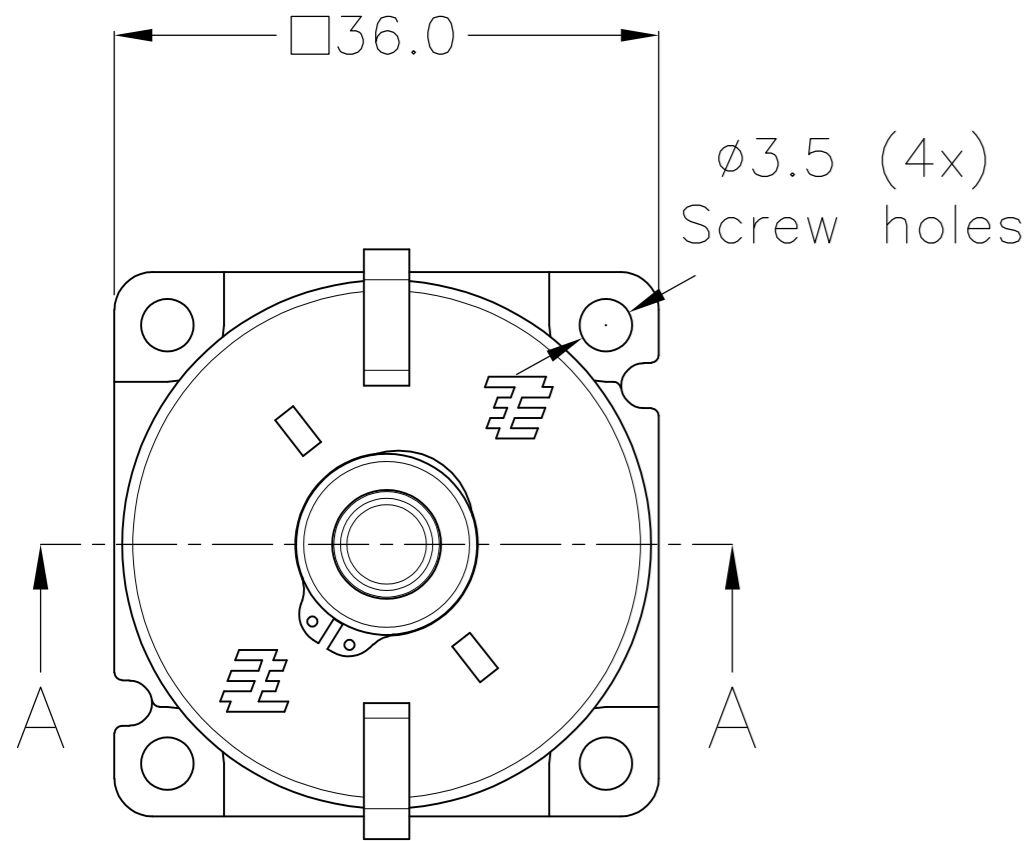
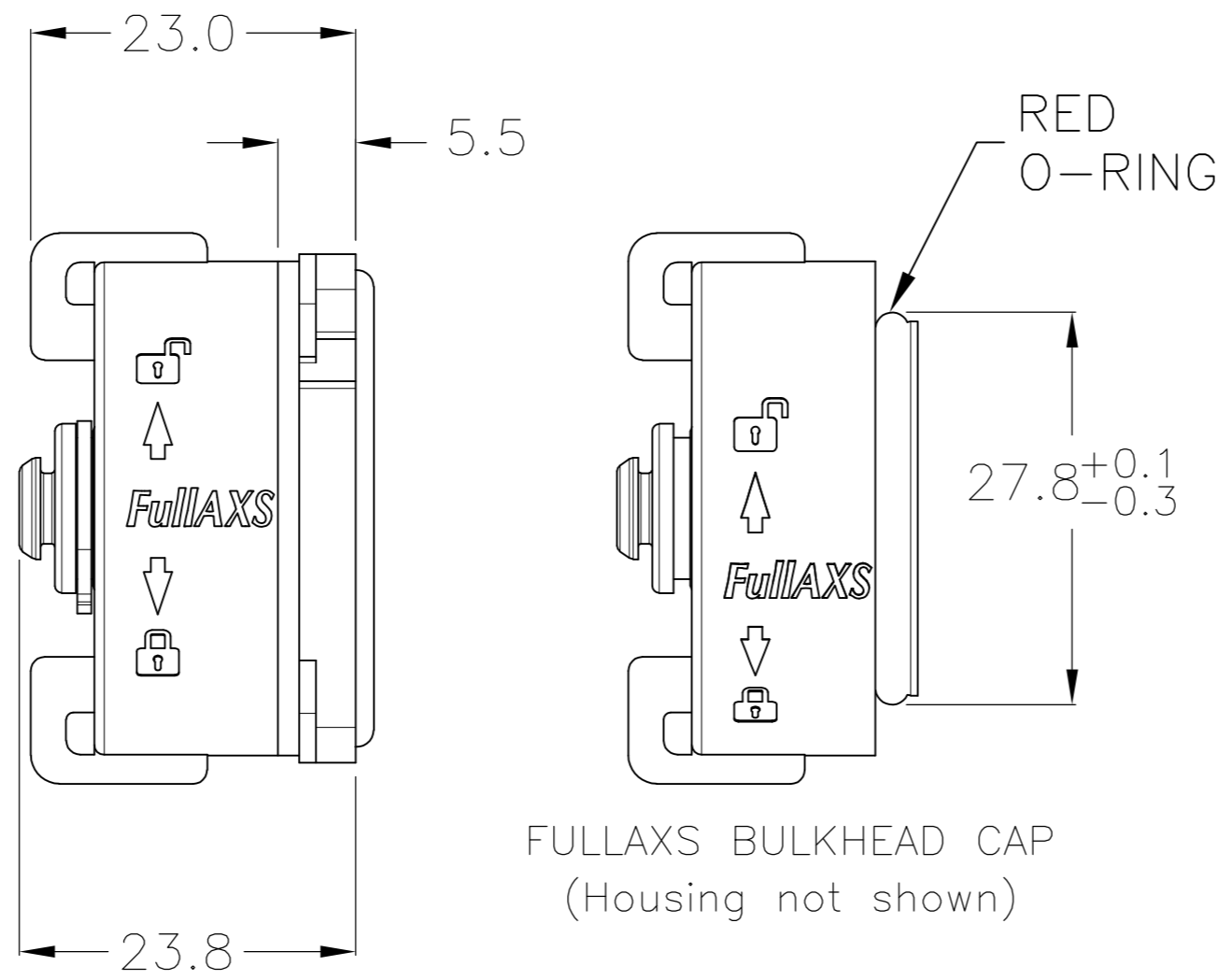


THIS DRAWING IS UNPUBLISHED. RELEASED FOR PUBLICATION
 © COPYRIGHT - By - ALL RIGHTS RESERVED.

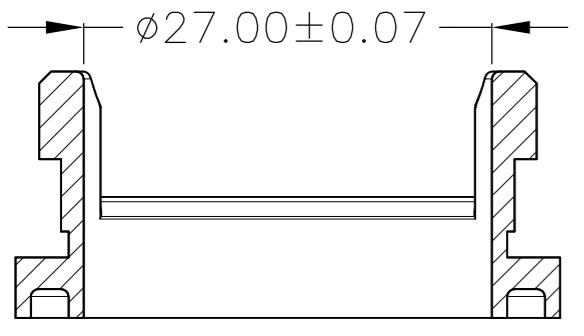
LOC		DIST		REVISIONS			
P	LTR	DESCRIPTION	DATE	DWN	APVD		
H	-	A	INITIAL RELEASE	17DEC2013	RC	EVS	



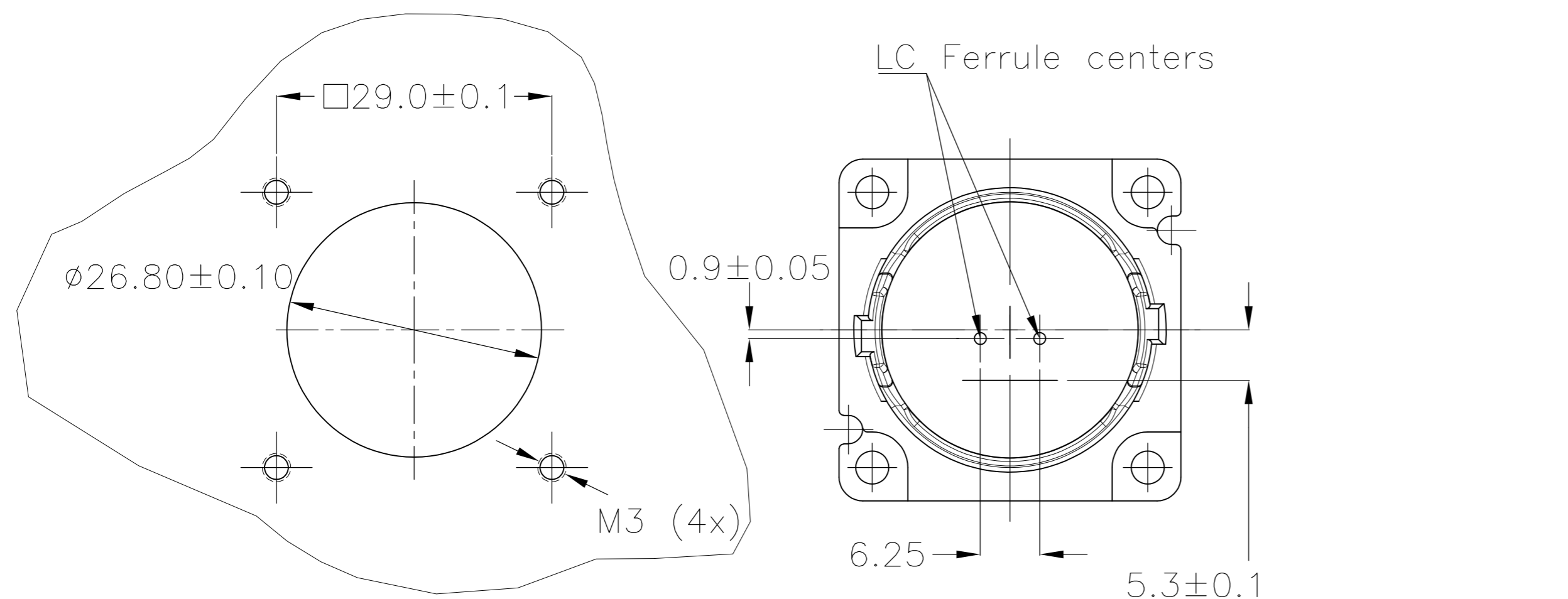
ASSEMBLED 2061843-1
(cord not shown)



FULLAXS BULKHEAD CAP
(Housing not shown)

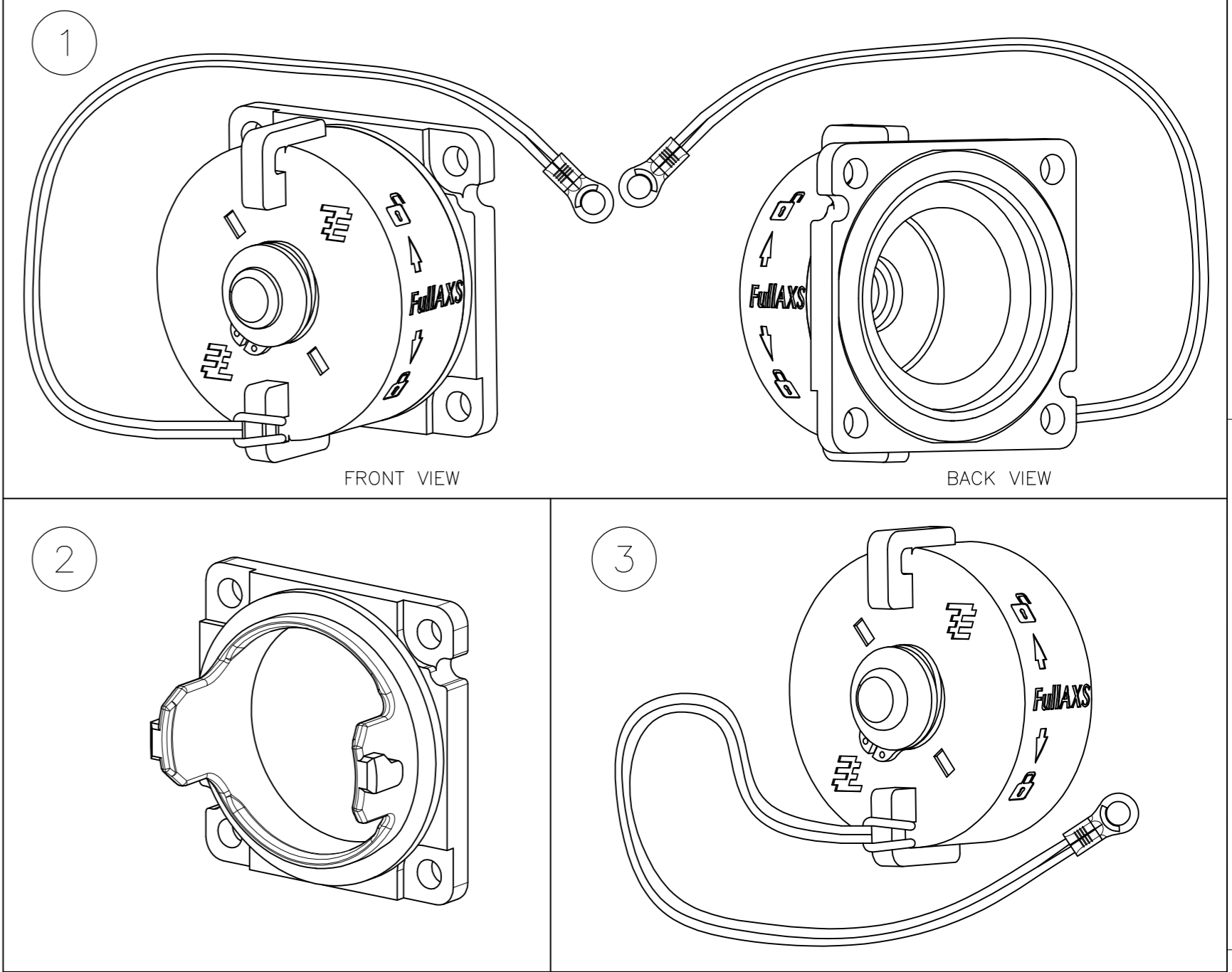


SECTION A-A
(Cap not shown)



Recommended panel cutout
for the assembly and housing

5.3 ± 0.1
Center of bulkhead
adapter to top of PCB.



NOTE:

SHOWN DIMENSIONS ARE FOR REFERENCE ONLY

ITEM	TE PART NUMBER	DESCRIPTION
1	2061843-1	FOKIT FULLAXS BULKHEAD ASSEMBLY, IP67
2	2061843-2	FOAC FULLAXS BULKHEAD HOUSING
3	2061843-3	FOAC FULLAXS BULKHEAD CAP, IP67

THIS DRAWING IS A CONTROLLED DOCUMENT.		DWN R. COOLEN 17DEC2013		
DIMENSIONS: mm		CHK A. HENGELMOLEN 17DEC2013		
TOLERANCES UNLESS OTHERWISE SPECIFIED:		APVD E. VERVOORT-SERVENS 17DEC2013	NAME FOKIT FULLAXS BULKHEAD ASSEMBLY, IP67	
0 PLC ± -		PRODUCT SPEC	SIZE A2	
1 PLC ± -		APPLICATION SPEC	CAGE CODE 00779	
2 PLC ± -		WEIGHT	DRAWING NO C=2061843	
3 PLC ± -		RESTRICTED TO	SCALE NTS	
4 PLC ± -			SHEET 1 of 1	
ANGLES ± -			REV A	
FINISH				
MATERIAL				