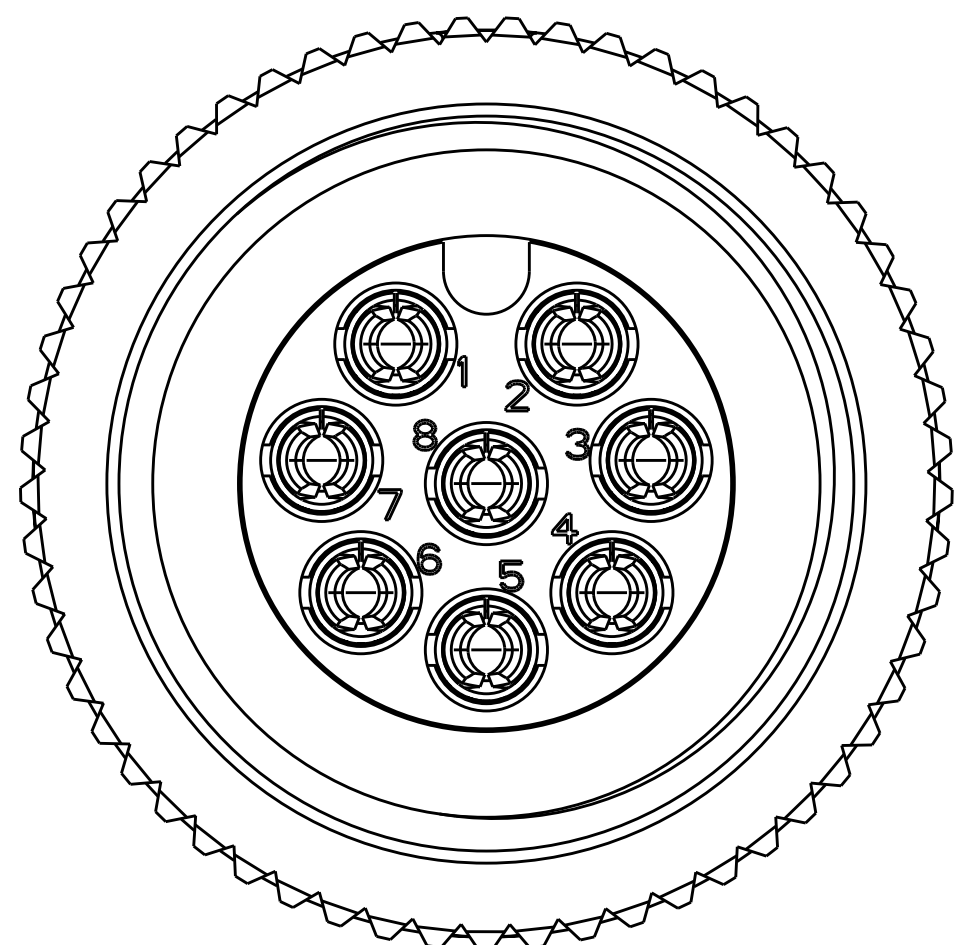
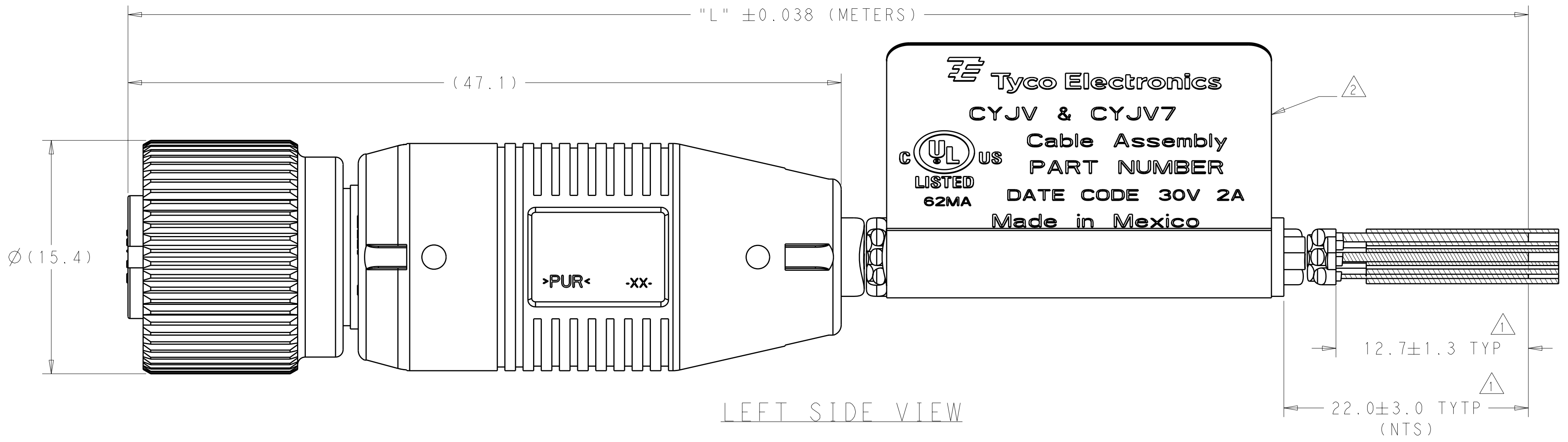


LOC	DIST	REV	DATE	BY	APPD
-	-	A	17JAN2011	HMR	KD



FRONT VIEW  
(LABEL REMOVED FROM THIS VIEW)  
SCALE 8:1

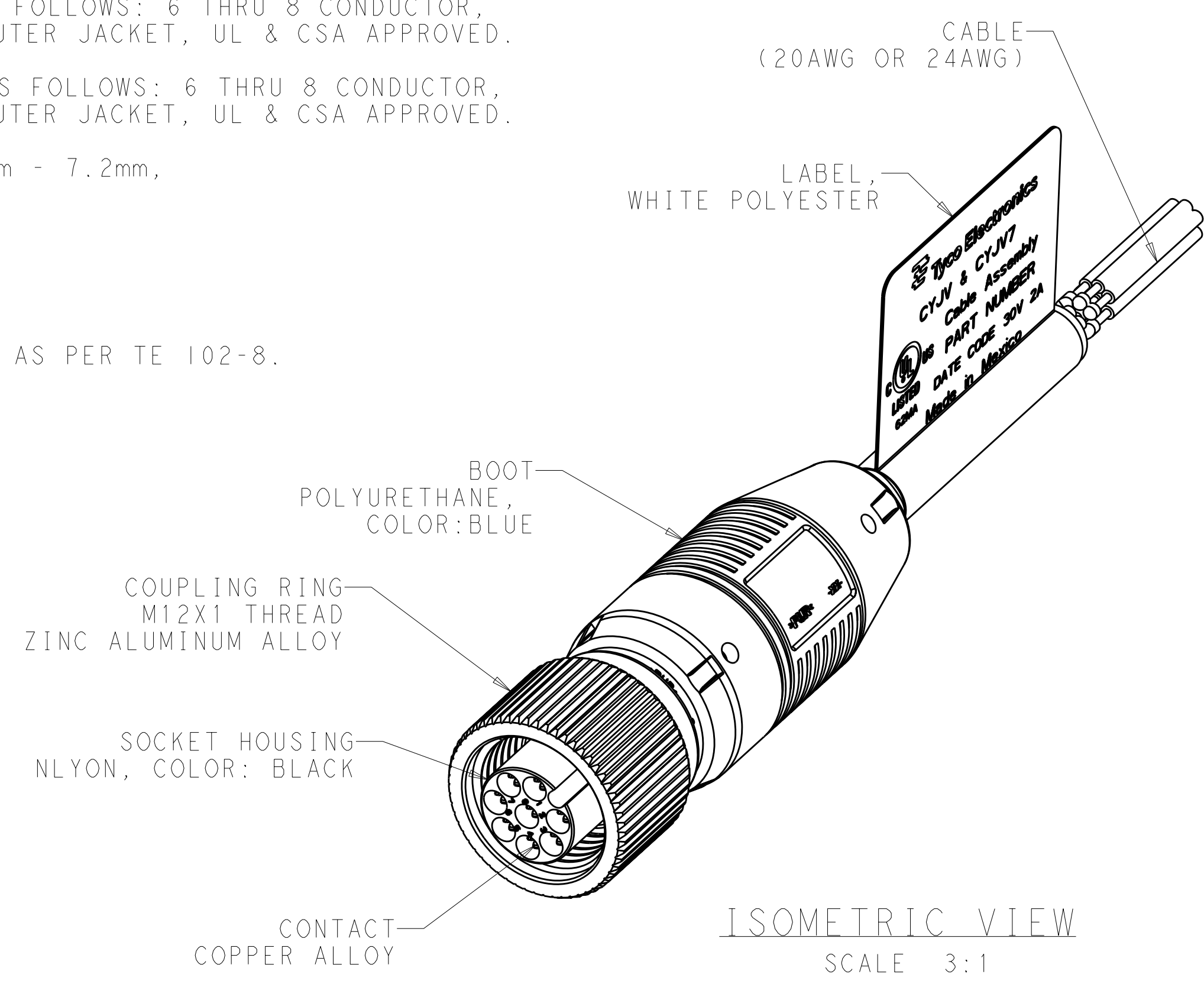


LEFT SIDE VIEW

NO OF POSITIONS	PIN NUMBER							
	1	2	3	4	5	6	7	8
	WIRE COLOR							
6	BROWN	WHITE	BLUE	BLACK	-	GREY	PINK	-
7	WHITE	BROWN	GREEN	BLACK	GREY	PINK	BLUE	-
8	WHITE	BROWN	GREEN	YELLOW	GREY	PINK	BLUE	RED

24 AWG	5.0m	8	3-2058000-0
24 AWG	5.0m	7	2-2058000-9
24 AWG	5.0m	6	2-2058000-8
24 AWG	4.5m	8	2-2058000-7
24 AWG	4.5m	7	2-2058000-6
24 AWG	4.5m	6	2-2058000-5
24 AWG	4.0m	8	2-2058000-4
24 AWG	4.0m	7	2-2058000-3
24 AWG	4.0m	6	2-2058000-2
24 AWG	3.5m	8	2-2058000-1
24 AWG	3.5m	7	2-2058000-0
24 AWG	3.5m	6	1-2058000-9
24 AWG	3.0m	8	1-2058000-8
24 AWG	3.0m	7	1-2058000-7
24 AWG	3.0m	6	1-2058000-6
24 AWG	2.5m	8	1-2058000-5
24 AWG	2.5m	7	1-2058000-4
24 AWG	2.5m	6	1-2058000-3
24 AWG	2.0m	8	1-2058000-2
24 AWG	2.0m	7	1-2058000-1
24 AWG	2.0m	6	1-2058000-0
24 AWG	1.5m	8	2058000-9
24 AWG	1.5m	7	2058000-8
24 AWG	1.5m	6	2058000-7
24 AWG	1.0m	8	2058000-6
24 AWG	1.0m	7	2058000-5
24 AWG	1.0m	6	2058000-4
24 AWG	0.5m	8	2058000-3
24 AWG	0.5m	7	2058000-2
24 AWG	0.5m	6	2058000-1

- 1 STRIP AND RETAIN INSULATION.
- 2 LABEL INFORMATION TO INCLUDE TE PART NO., DATE CODE, RATING.
- 3. FOR DASH NOS. 1 THRU 30 CABLE CONSTRUCTION IS AS FOLLOWS: 6 THRU 8 CONDUCTOR, 24AWG PER AWM 2517, 105°C, 300V WITH BLACK PVC OUTER JACKET, UL & CSA APPROVED.
- 4. FOR DASH NOS. 31 THRU 60 CABLE CONSTRUCTION IS AS FOLLOWS: 6 THRU 8 CONDUCTOR, 20AWG PER AWM 2517, 105°C, 300V WITH BLACK PVC OUTER JACKET, UL & CSA APPROVED.
- 5. CABLE DIAMETER RANGE FOR 2-5 POSITIONS FROM 5.2mm - 7.2mm, FOR 6-8 POSITIONS FROM 5.7mm - 7.2mm.
- 6. PRODUCT LISTED UNDER UL 2238 & IEC 61076-2.
- 7. CABLE ASSEMBLIES TO BE PACKAGED IN POLYBAGS.
- 8. THE PRODUCT HAS NOT COMPLETED VALIDATION TESTING AS PER TE 102-8.



ISOMETRIC VIEW  
SCALE 3:1

20 AWG	5.0m	7	5-2058000-9
20 AWG	5.0m	6	5-2058000-8
20 AWG	4.5m	7	5-2058000-6
20 AWG	4.5m	6	5-2058000-5
20 AWG	4.0m	7	5-2058000-3
20 AWG	4.0m	6	5-2058000-2
20 AWG	3.5m	7	5-2058000-0
20 AWG	3.5m	6	4-2058000-9
20 AWG	3.0m	7	4-2058000-7
20 AWG	3.0m	6	4-2058000-6
20 AWG	2.5m	7	4-2058000-4
20 AWG	2.5m	6	4-2058000-3
20 AWG	2.0m	7	4-2058000-1
20 AWG	2.0m	6	4-2058000-0
20 AWG	1.5m	7	3-2058000-8
20 AWG	1.5m	6	3-2058000-7
20 AWG	1.0m	7	3-2058000-5
20 AWG	1.0m	6	3-2058000-4
20 AWG	0.5m	7	3-2058000-2
20 AWG	0.5m	6	3-2058000-1

WIRE GAGE	"L" (METERS)	NUMBER OF POSITIONS	PART NUMBER	WIRE GAGE	"L" (METERS)	NUMBER OF POSITIONS	PART NUMBER
20 AWG	5.0m	7	5-2058000-9	24 AWG	5.0m	8	3-2058000-0
20 AWG	5.0m	6	5-2058000-8	24 AWG	5.0m	7	2-2058000-9
20 AWG	4.5m	7	5-2058000-6	24 AWG	5.0m	6	2-2058000-8
20 AWG	4.5m	6	5-2058000-5	24 AWG	4.5m	8	2-2058000-7
20 AWG	4.0m	7	5-2058000-3	24 AWG	4.5m	7	2-2058000-6
20 AWG	4.0m	6	5-2058000-2	24 AWG	4.5m	6	2-2058000-5
20 AWG	3.5m	7	5-2058000-0	24 AWG	4.0m	8	2-2058000-4
20 AWG	3.5m	6	4-2058000-9	24 AWG	4.0m	7	2-2058000-3
20 AWG	3.0m	7	4-2058000-7	24 AWG	4.0m	6	2-2058000-2
20 AWG	3.0m	6	4-2058000-6	24 AWG	3.5m	8	2-2058000-1
20 AWG	2.5m	7	4-2058000-4	24 AWG	3.5m	7	2-2058000-0
20 AWG	2.5m	6	4-2058000-3	24 AWG	3.5m	6	1-2058000-9
20 AWG	2.0m	7	4-2058000-1	24 AWG	3.0m	8	1-2058000-8
20 AWG	2.0m	6	4-2058000-0	24 AWG	3.0m	7	1-2058000-7
20 AWG	1.5m	7	3-2058000-8	24 AWG	3.0m	6	1-2058000-6
20 AWG	1.5m	6	3-2058000-7	24 AWG	2.5m	8	1-2058000-5
20 AWG	1.0m	7	3-2058000-5	24 AWG	2.5m	7	1-2058000-4
20 AWG	1.0m	6	3-2058000-4	24 AWG	2.5m	6	1-2058000-3
20 AWG	0.5m	7	3-2058000-2	24 AWG	2.0m	8	1-2058000-2
20 AWG	0.5m	6	3-2058000-1	24 AWG	2.0m	7	1-2058000-1
24 AWG	5.0m	8	3-2058000-0	24 AWG	2.0m	6	1-2058000-0
24 AWG	5.0m	7	2-2058000-9	24 AWG	1.5m	8	2058000-9
24 AWG	5.0m	6	2-2058000-8	24 AWG	1.5m	7	2058000-8
24 AWG	4.5m	8	2-2058000-7	24 AWG	1.5m	6	2058000-7
24 AWG	4.5m	7	2-2058000-6	24 AWG	1.0m	8	2058000-6
24 AWG	4.5m	6	2-2058000-5	24 AWG	1.0m	7	2058000-5
24 AWG	4.0m	8	2-2058000-4	24 AWG	1.0m	6	2058000-4
24 AWG	4.0m	7	2-2058000-3	24 AWG	0.5m	8	2058000-3
24 AWG	4.0m	6	2-2058000-2	24 AWG	0.5m	7	2058000-2
24 AWG	3.5m	8	2-2058000-1	24 AWG	0.5m	6	2058000-1

DIMENSIONS: mm		TOLERANCES UNLESS OTHERWISE SPECIFIED:		DWG: G. PETERS 23APR2010		Tyco Electronics Corporation Harrisburg, PA 17105-3608	
Ø	9 PLC ±0.5	PLC	±0.13	CHK: K. DAMODHARAN	23APR2010	NAME: SOCKET CONNECTOR CABLE ASSEMBLY	
Ø	5 PLC ±0.13	PLC	±0.013	APPD: M. DAMODHARAN		A-CODING, 6-8 POSITION, 0.8mm, PVC JACKET, SENSORLOK, M12	
Ø	4 PLC ±0.001	PLC	±0.001	PRODUCT SPEC:		SIZE: CAGE CODE DRAWING NO. RESTRICTED TO	
Ø	ANGLES ±0.001	FINISH:		APPLICATION SPEC:		A100779C=2058000	
MATERIAL:		WEIGHT:		CUSTOMER DRAWING		SCALE: 1:1	SHEET 1 OF 1 REV A