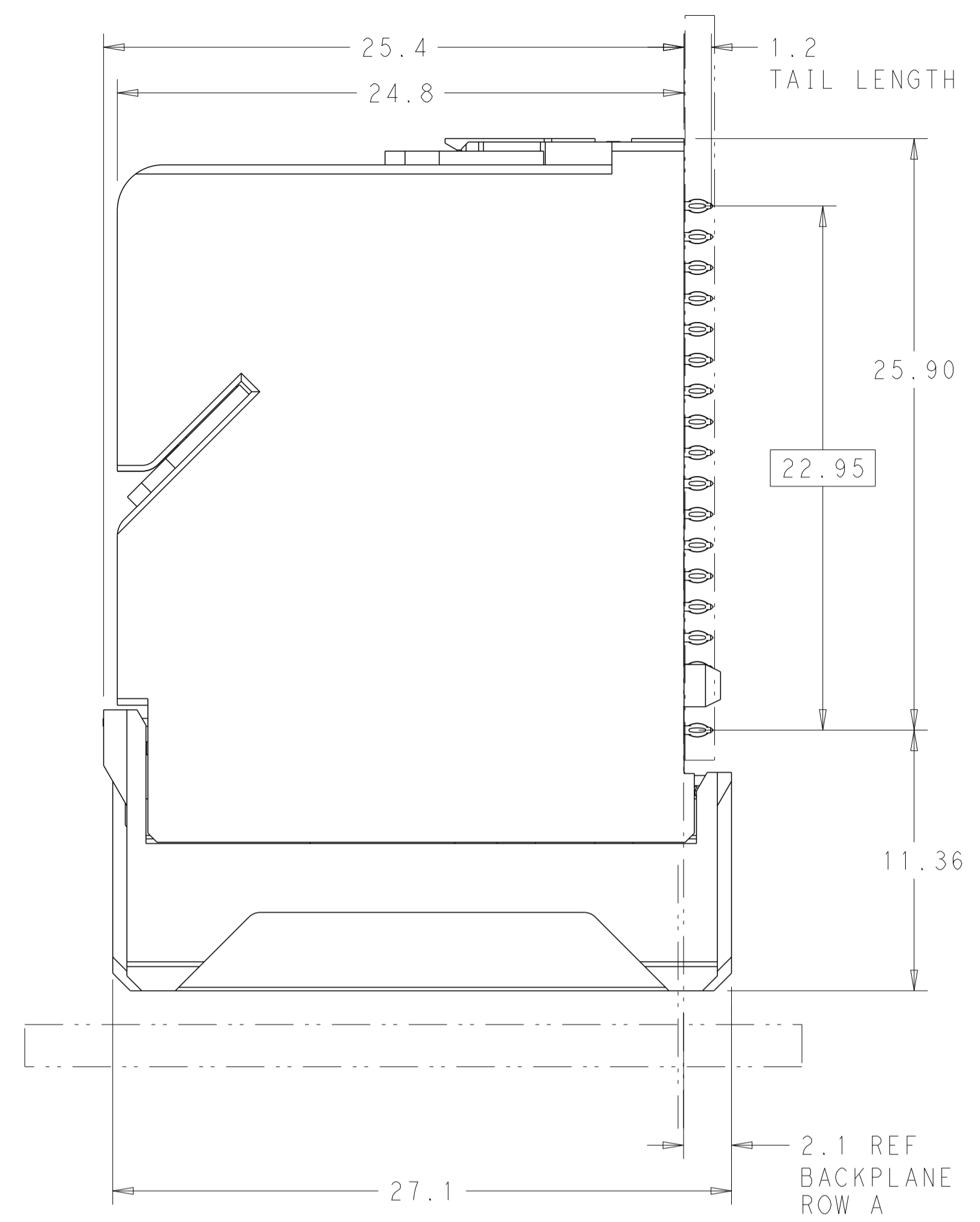
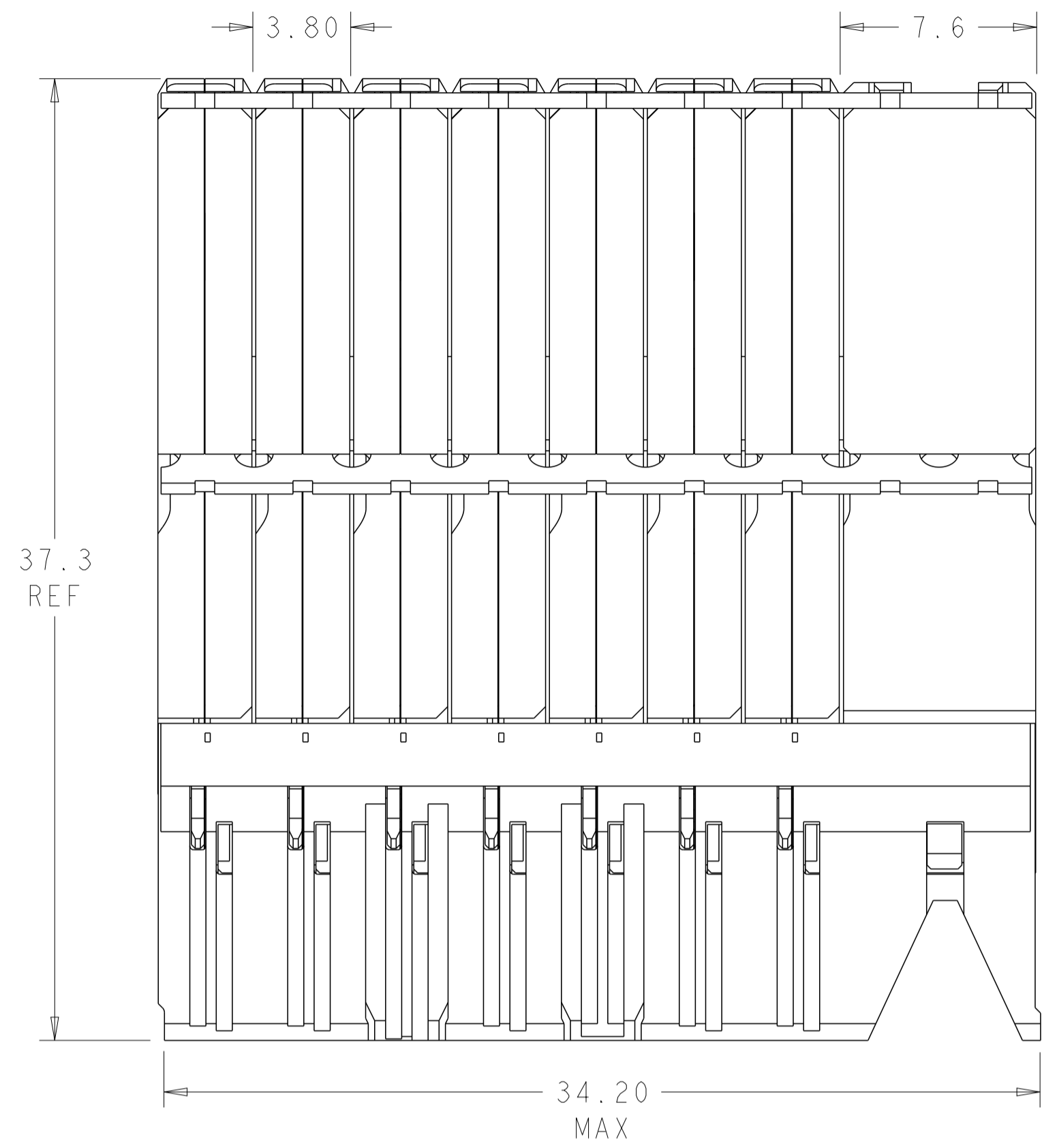
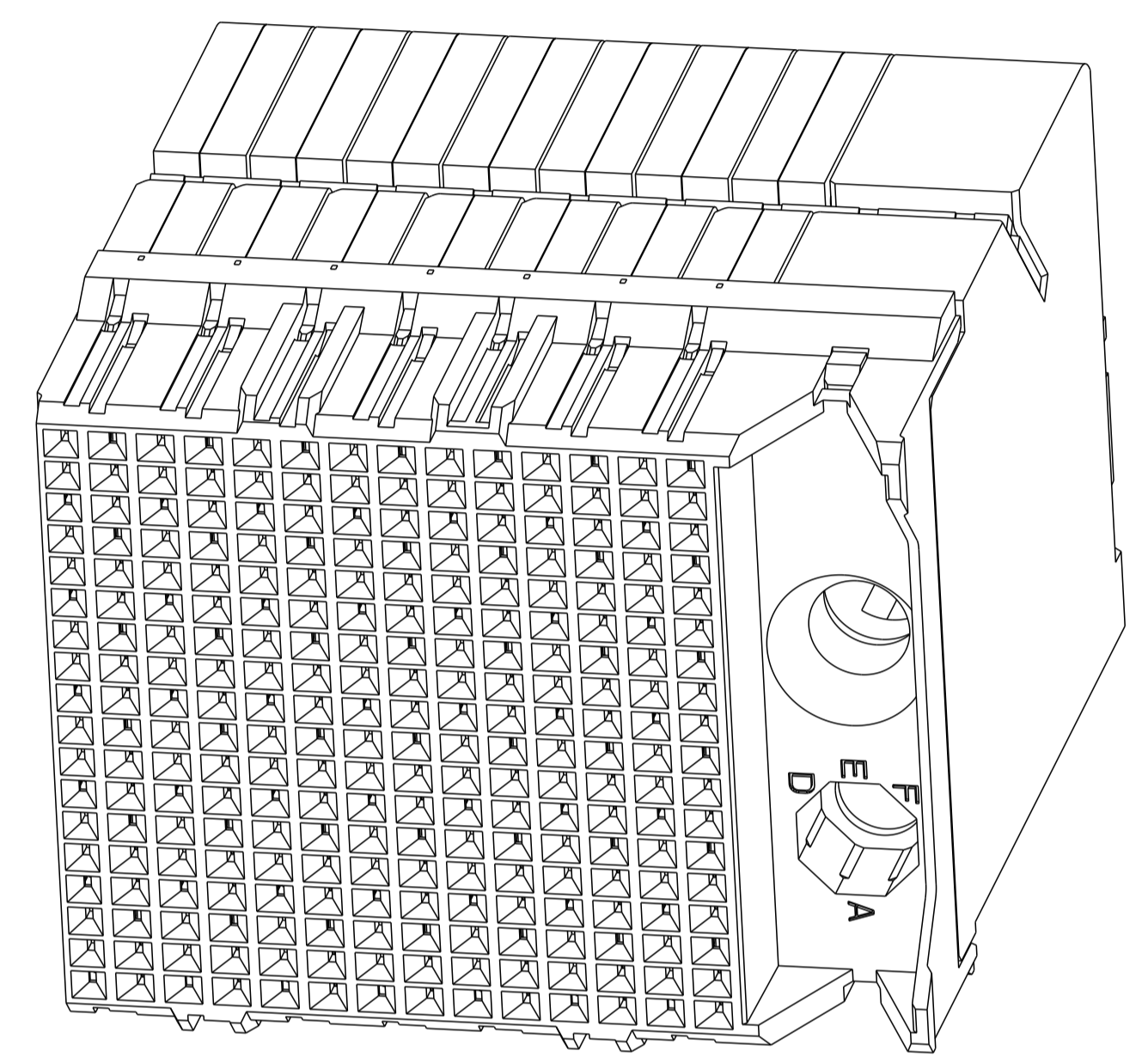


REVISIONS				
P	LTN	DESCRIPTION	DATE	APVD
C		REVISED PER ECO-15-012351	03SEP2015	AP SY

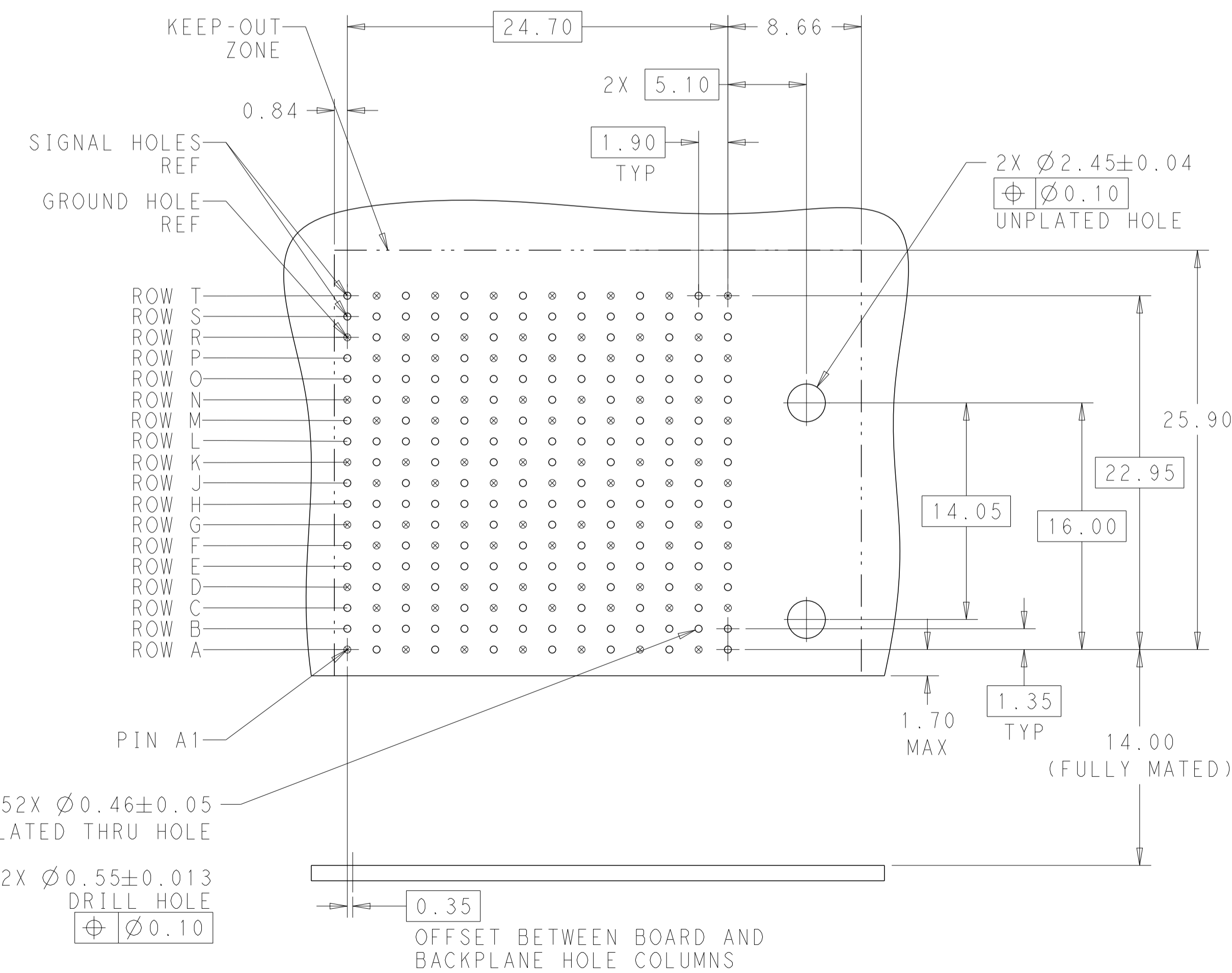
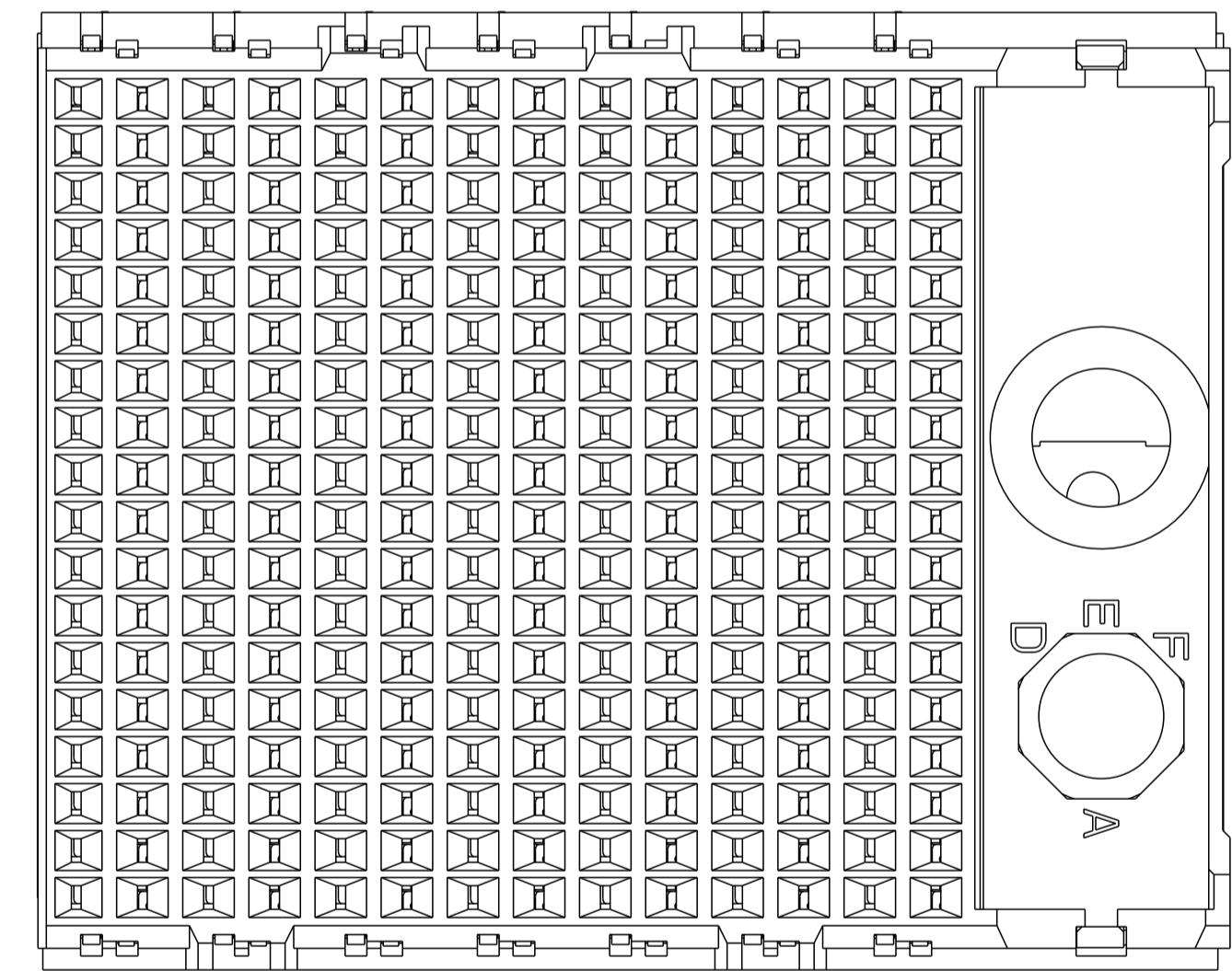


- MATERIAL:
HOUSING: LCP, GLASS FILLED, UL94V-0.
TERMINALS: HIGH PERFORMANCE COPPER ALLOY.
- FINISH:
30µ" SELECTIVE GOLD IN CONTACT AREA. SELECTIVE TIN ON PCB TAILS, NICKEL OVERALL.
- CONNECTORS SUPPLIED WITH MOUNTING SCREWS.



SCALE 4:1

REFER TO WWW.TE.COM FOR PRODUCT AVAILABILITY



KEY POSITION CHART	
	NONE
	A
	B
	C
	D
	E
	F
	G
	H

KEY POSITION	FINISH	PART NUMBER
H	△	8-2057987-1
G	△	7-2057987-1
F	△	6-2057987-1
E	△	5-2057987-1
D	△	4-2057987-1
C	△	3-2057987-1
B	△	2-2057987-1
A	△	1-2057987-1
NONE	△	2057987-1

THIS DRAWING IS A CONTROLLED DOCUMENT. DWN - 01APR2011
 CHK D. DIXON 01APR2011
 APVD D. DIXON 01APR2011

TE Connectivity

NAME: IMPACT, 6 PAIR, DAUGHTERCARD
 PRODUCT SPEC: 14 COLUMN, RIGHT GUIDED, SIGNAL
 APPLICATION SPEC: MODULE, 0.46 EYELET

SIZE: A1 CAGE CODE: 00779 DRAWING NO: 2057987
 WEIGHT: - RESTRICTED TO: -

MATERIAL: SEE TABLE
 FINISH: SEE TABLE

Customer Drawing SCALE 5:1 SHEET 1 OF 1 REV C

RECOMMENDED PCB LAYOUT
 MIN BOARD THICKNESS 1.0