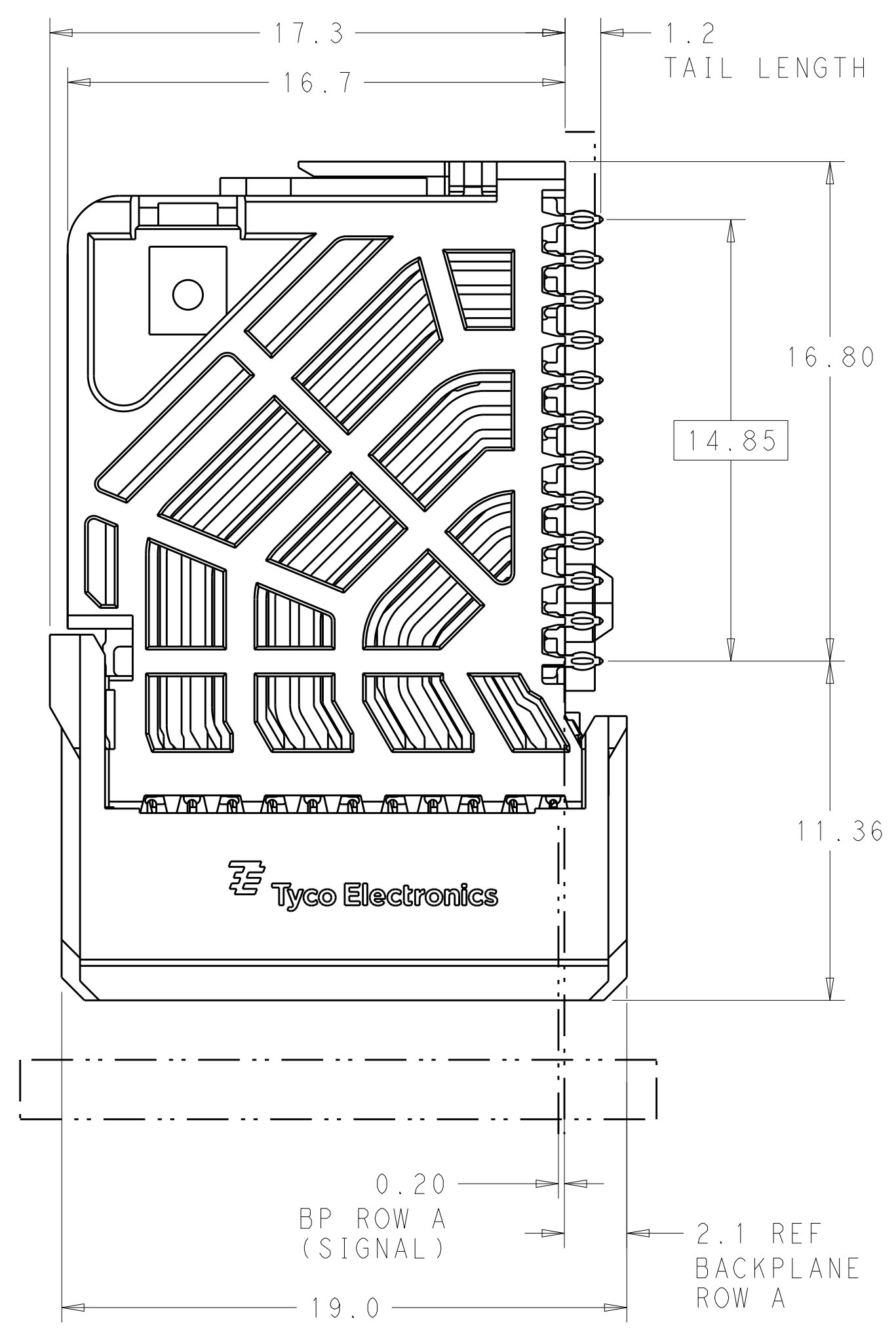
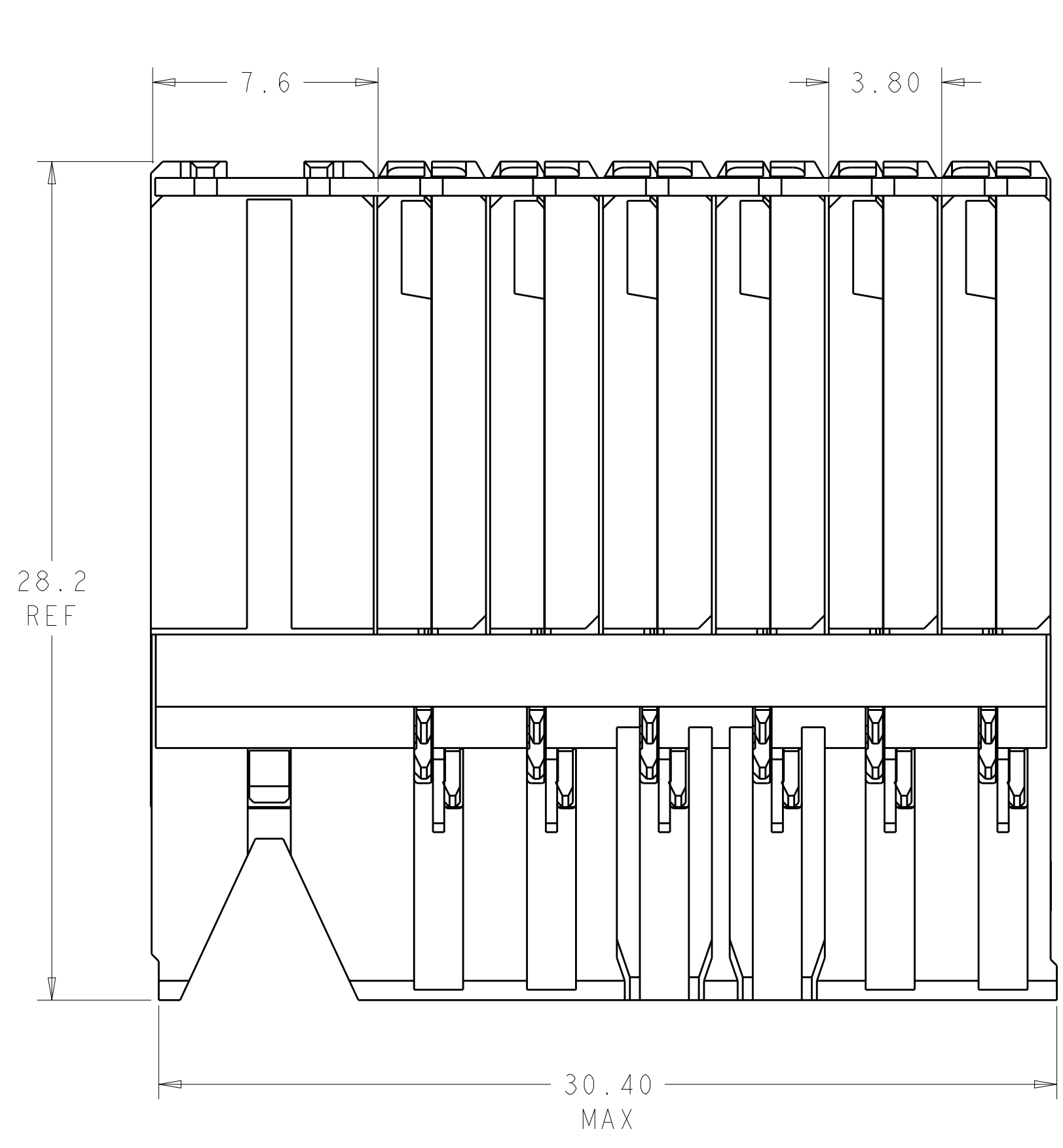
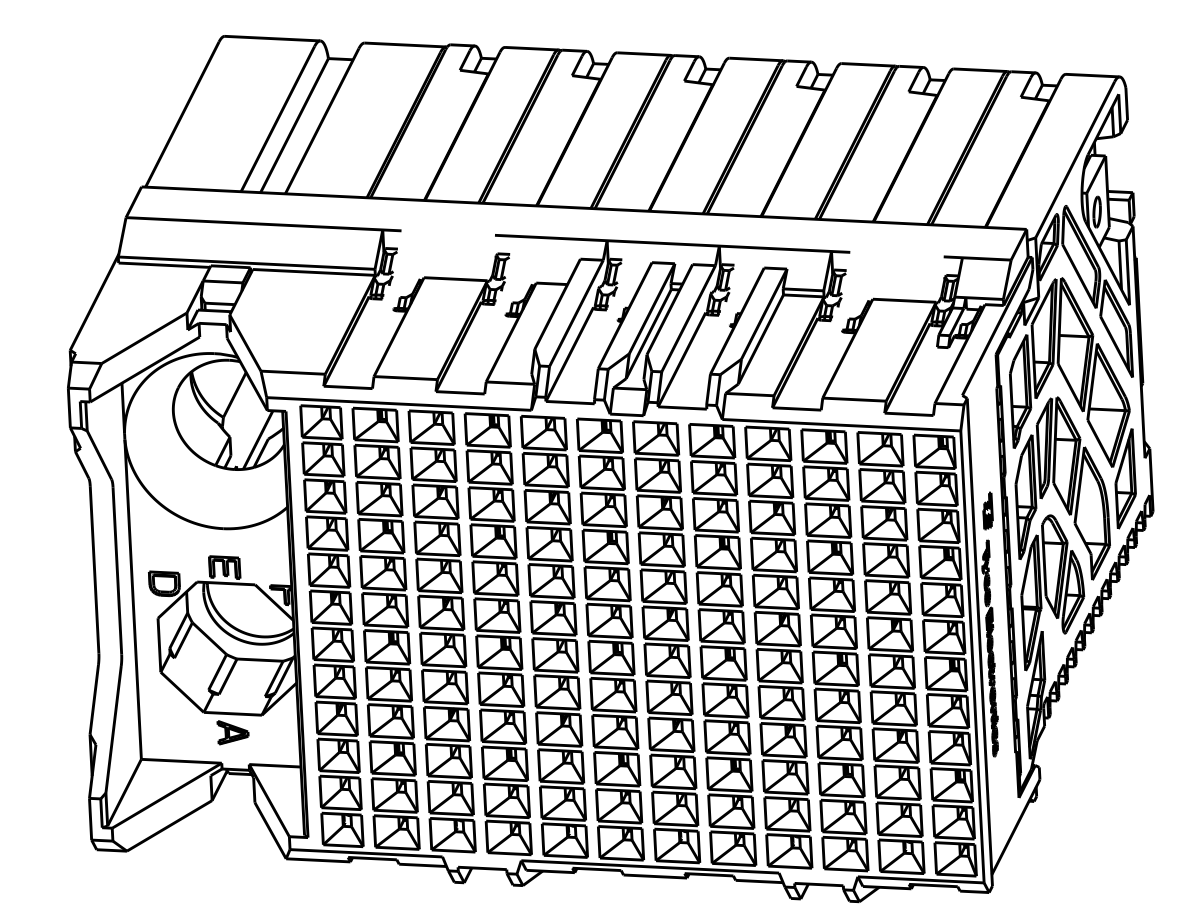


LOC		DIST		REVISIONS			
AD	00	P	LTN	DESCRIPTION	DATE	DWN	APVD
		A		REVISED PER ECO-14-018036	18FEB2015	AP	DD

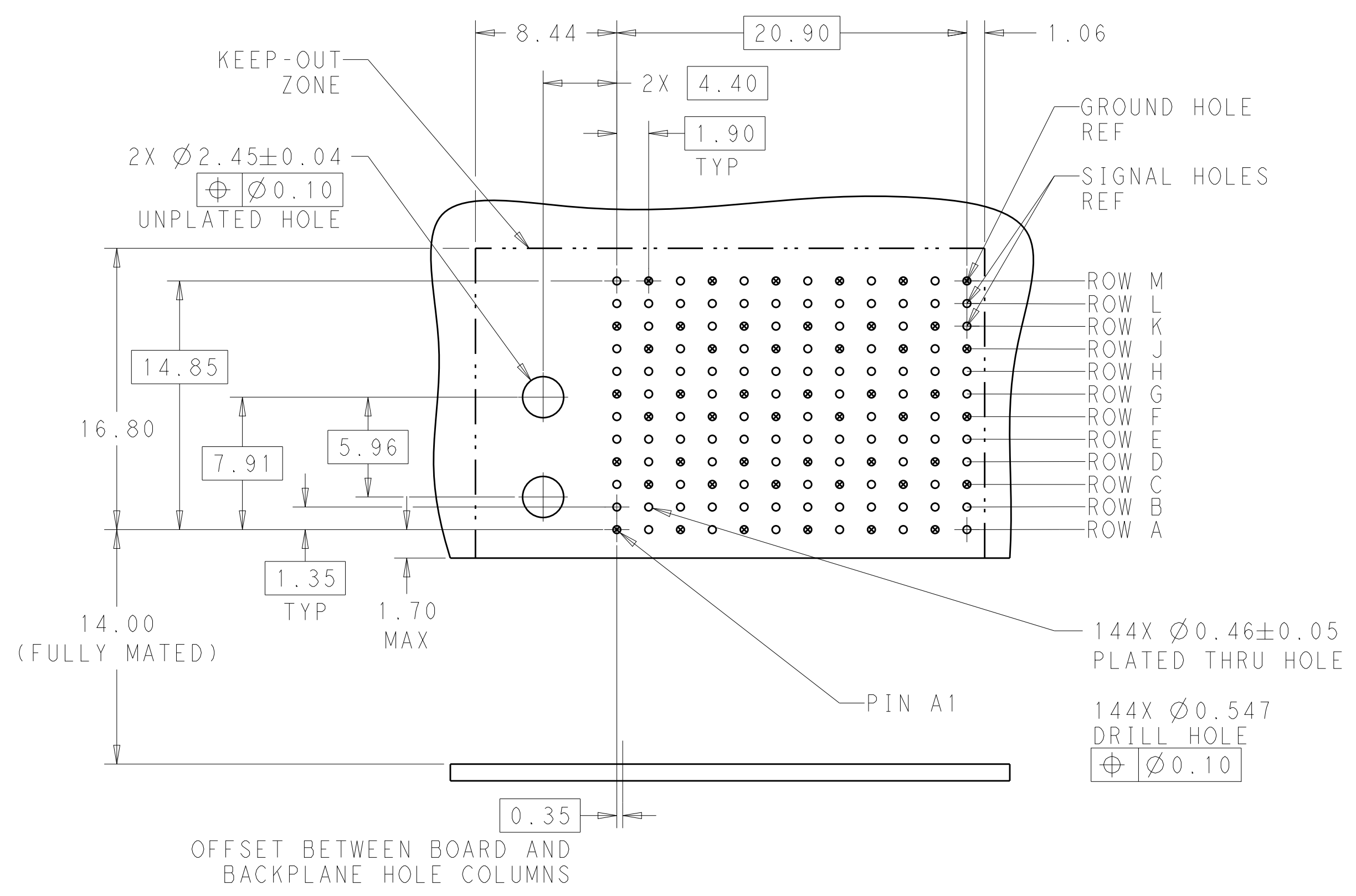
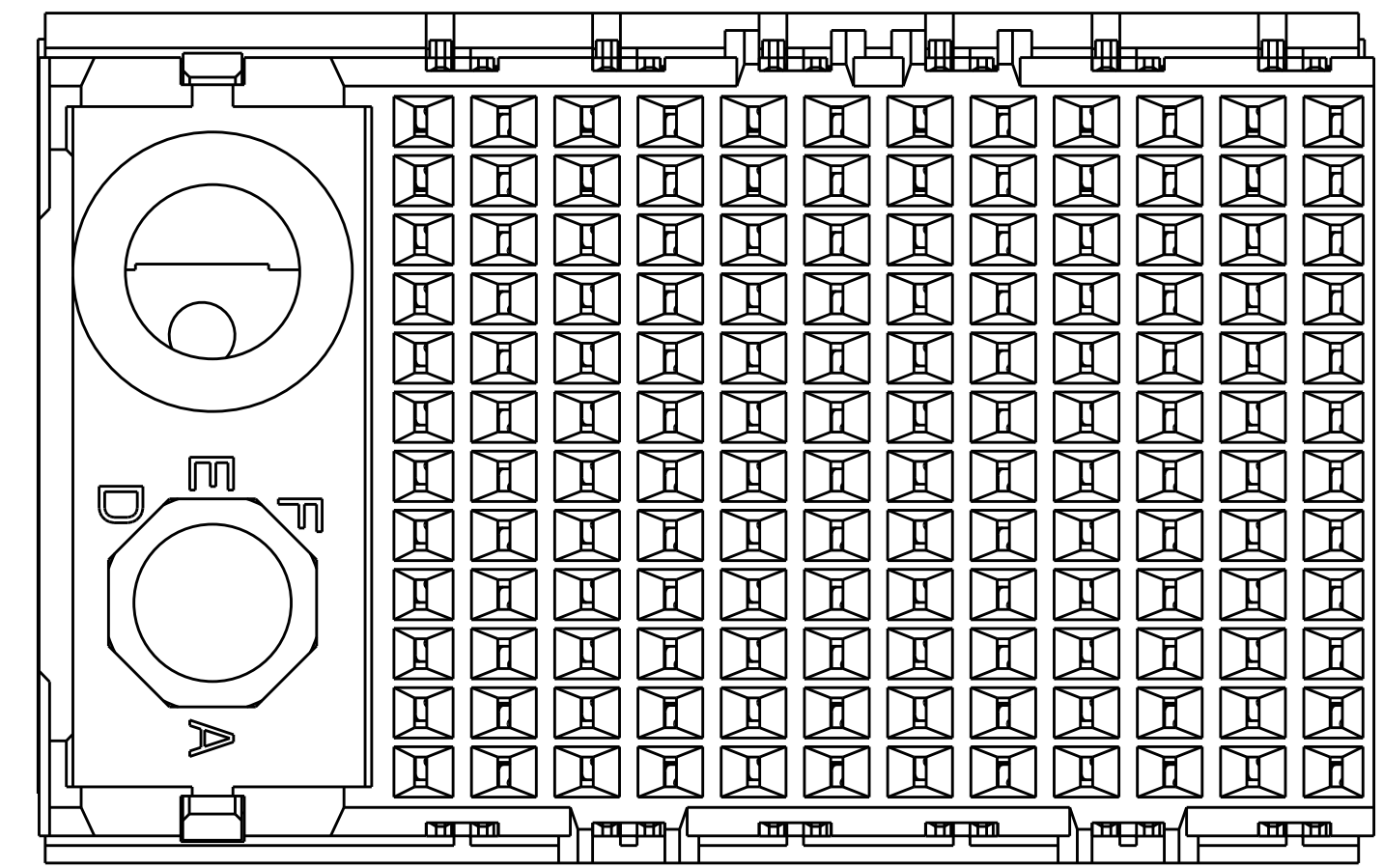


- ⚠ MATERIAL:  
HOUSING: LCP, GLASS FILLED, UL94V-0.  
TERMINALS: HIGH PERFORMANCE COPPER ALLOY.
- ⚠ FINISH:  
30μ" SELECTIVE GOLD IN CONTACT AREA. SELECTIVE TIN ON PCB TAILS, NICKEL OVERALL.
- 3. CONNECTORS SUPPLIED WITH MOUNTING SCREWS.



SCALE 4:1

REFER TO WWW.TE.COM FOR PRODUCT AVAILABILITY



KEY POSITION CHART	
	NONE
	A
	B
	C
	D
	E
	F
	G
	H

KEY POSITION	FINISH	PART NUMBER
H	⚠	8-2057956-1
G	⚠	7-2057956-1
F	⚠	6-2057956-1
E	⚠	5-2057956-1
D	⚠	4-2057956-1
C	⚠	3-2057956-1
B	⚠	2-2057956-1
A	⚠	1-2057956-1
NONE	⚠	2057956-1

RECOMMENDED PCB LAYOUT  
 MIN BOARD THICKNESS 1.0

THIS DRAWING IS A CONTROLLED DOCUMENT. DWN: R. IRAN, H. ALI, 20NOV2012  
 CHK: D. DIXON, 20NOV2012  
 APVD: D. DIXON, 20NOV2012

DIMENSIONS: mm  
 TOLERANCES UNLESS OTHERWISE SPECIFIED:  
 0 PLC ±  
 1 PLC ±0.2  
 2 PLC ±0.13  
 3 PLC ±  
 4 PLC ±  
 ANGLES ±

MATERIAL: SEE TABLE  
 FINISH: SEE TABLE

NAME: IMPACT, 4 PAIR, DAUGHTERCARD 12 COLUMN, LEFT GUIDED, SIGNAL MODULE, 0.46 EYELET  
 PRODUCT SPEC:  
 APPLICATION SPEC:  
 SIZE: A1  
 CAGE CODE: 2057956  
 DRAWING NO: 100779  
 WEIGHT:  
 RESTRICTED TO: -

Customer Drawing  
 SCALE: 6:1  
 SHEET: 1 OF 1  
 REV: A