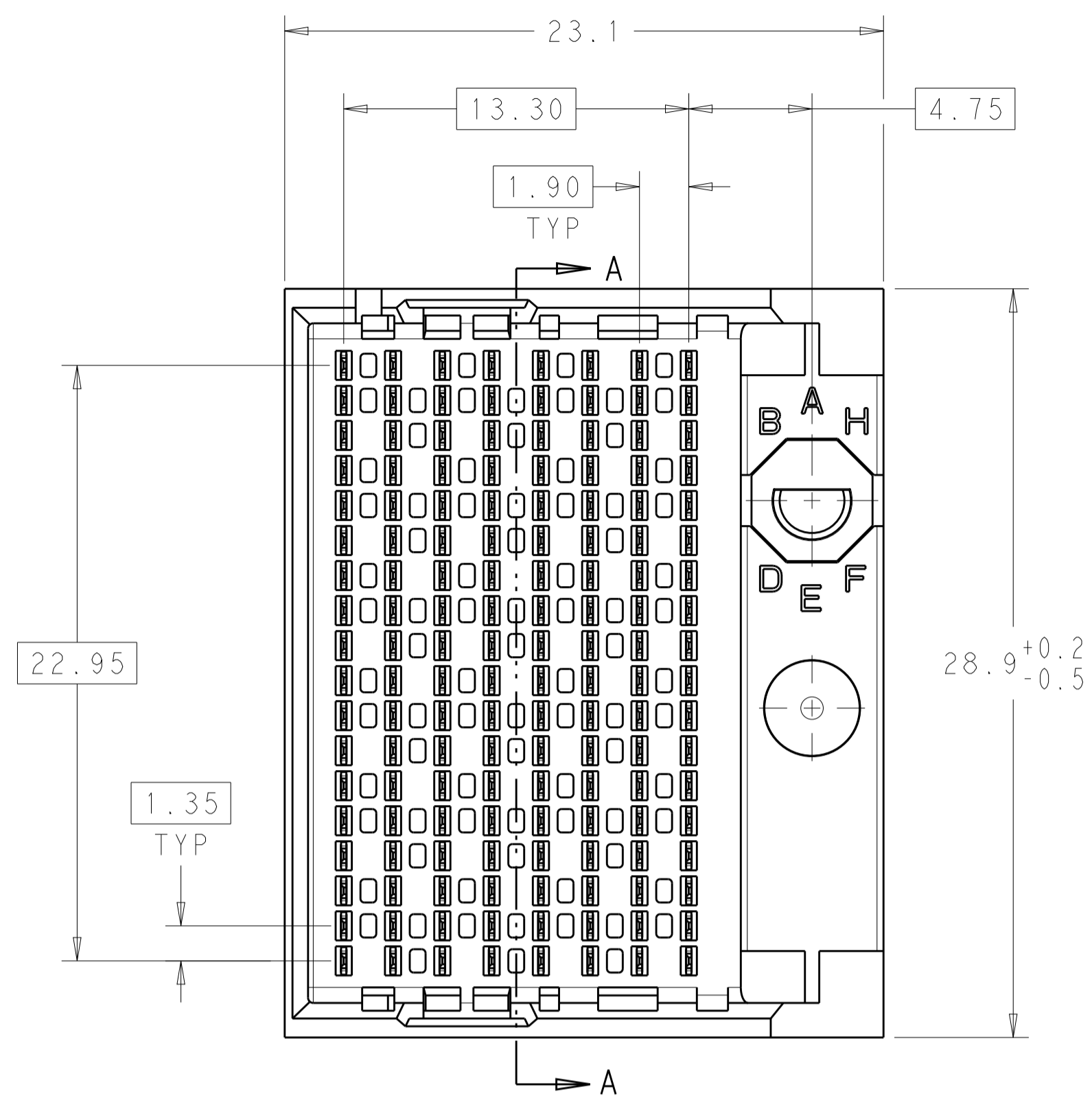
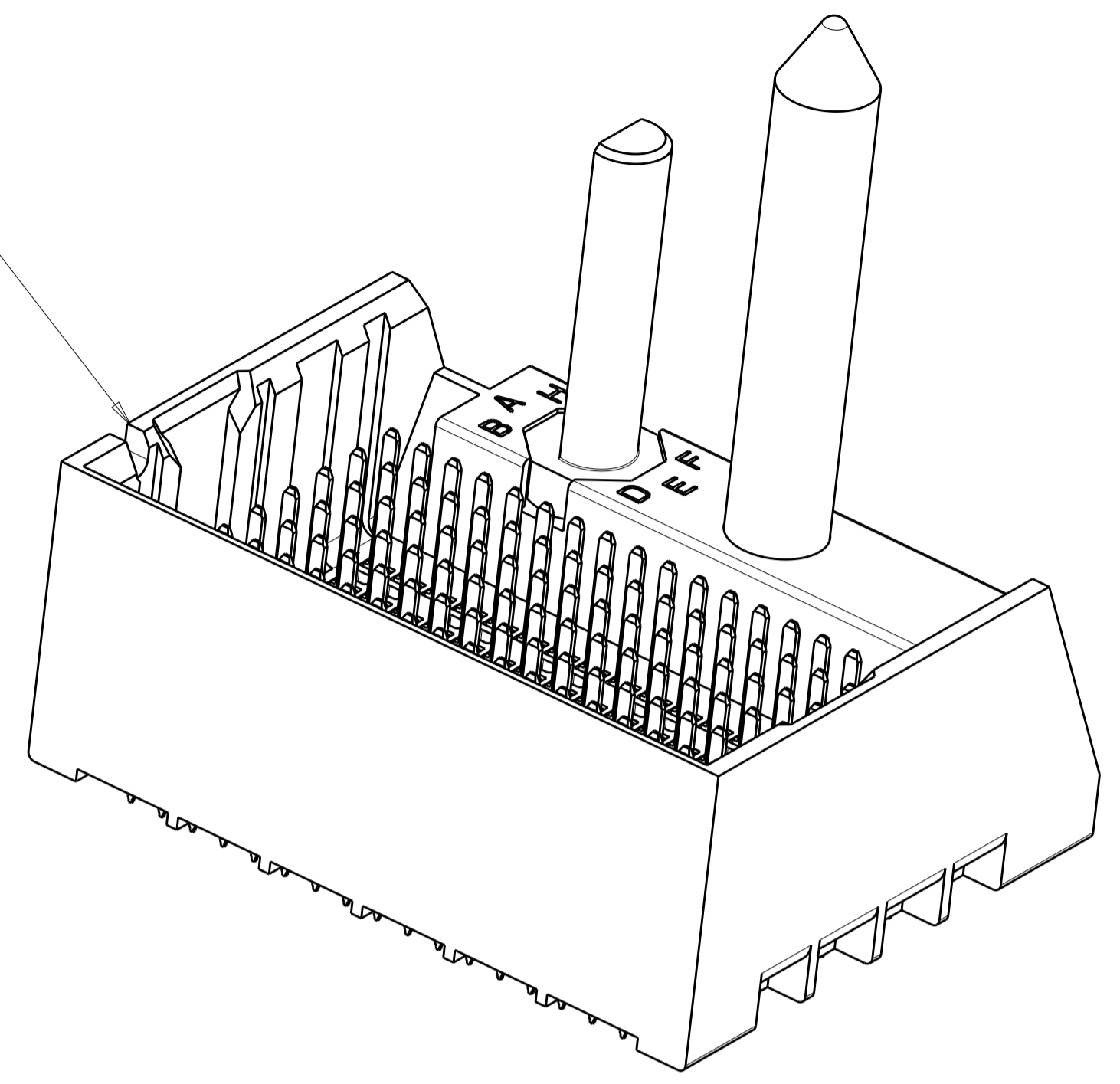


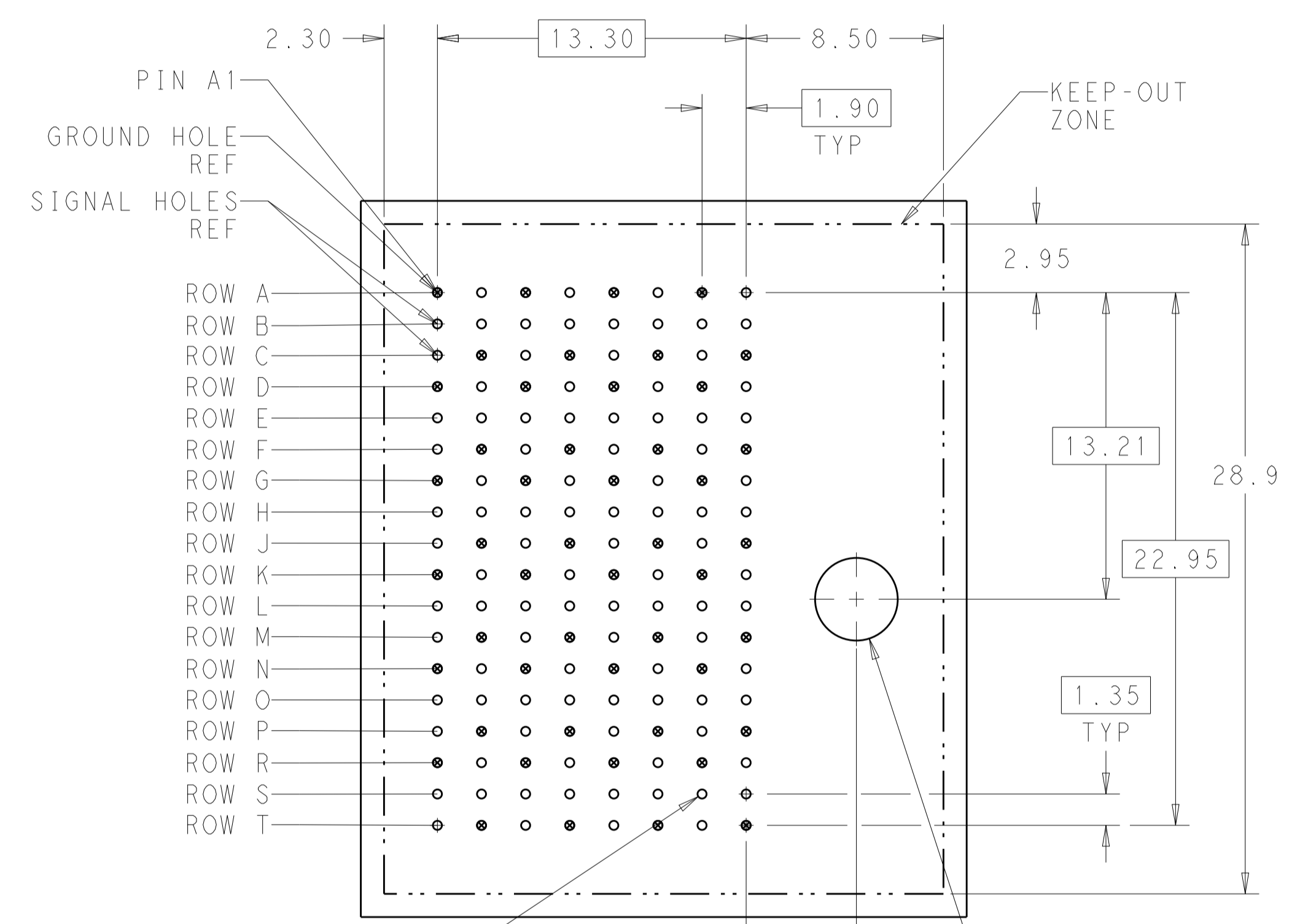
LOC	DIST	REVISIONS			
P	LTH	DESCRIPTION	DATE	DWN	APVD
A		CREATED BY AUTOMATION PROGRAM	09JUN2011	RKC	JE



NOTCH DESIGNATES ROW A

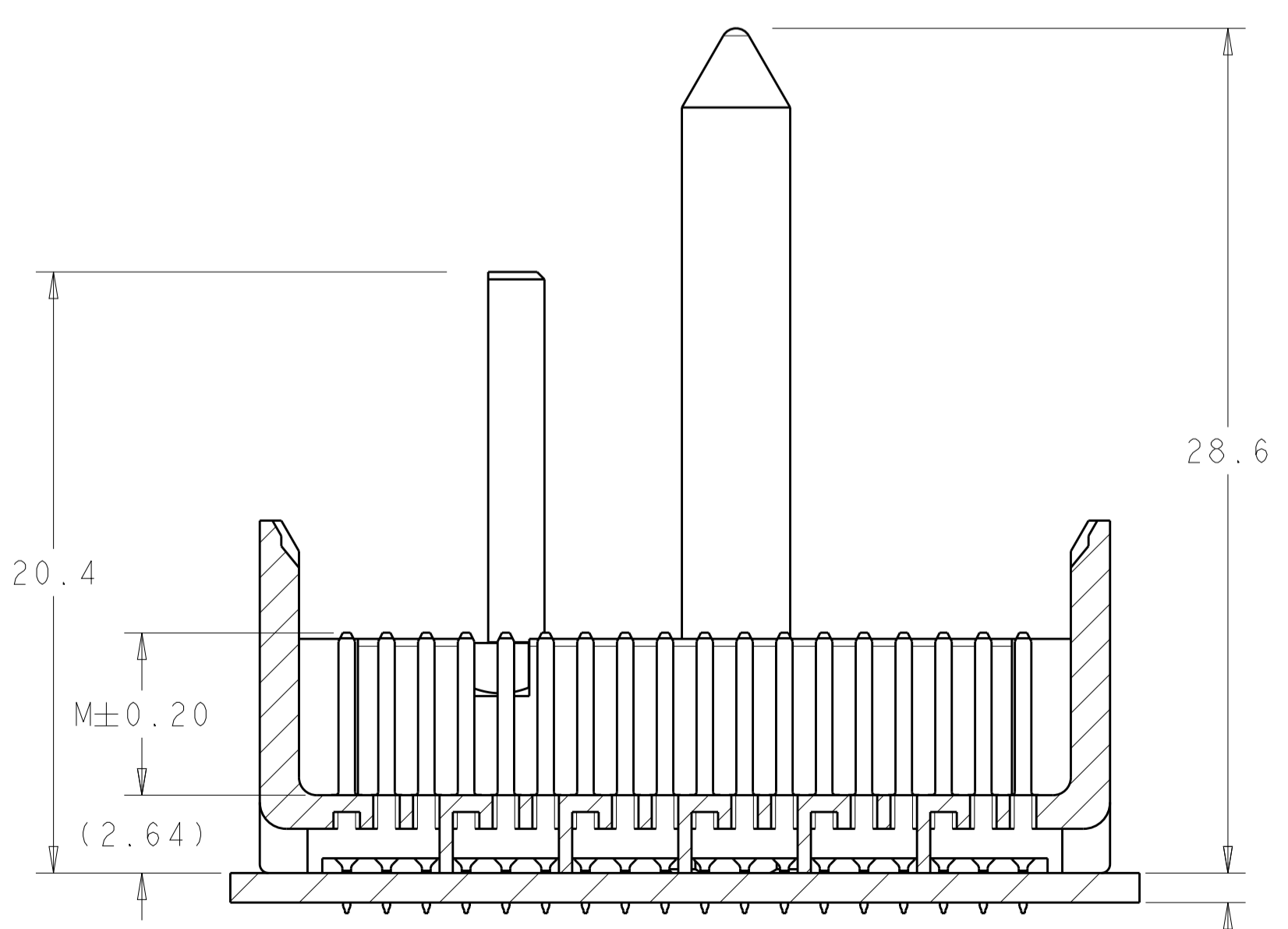
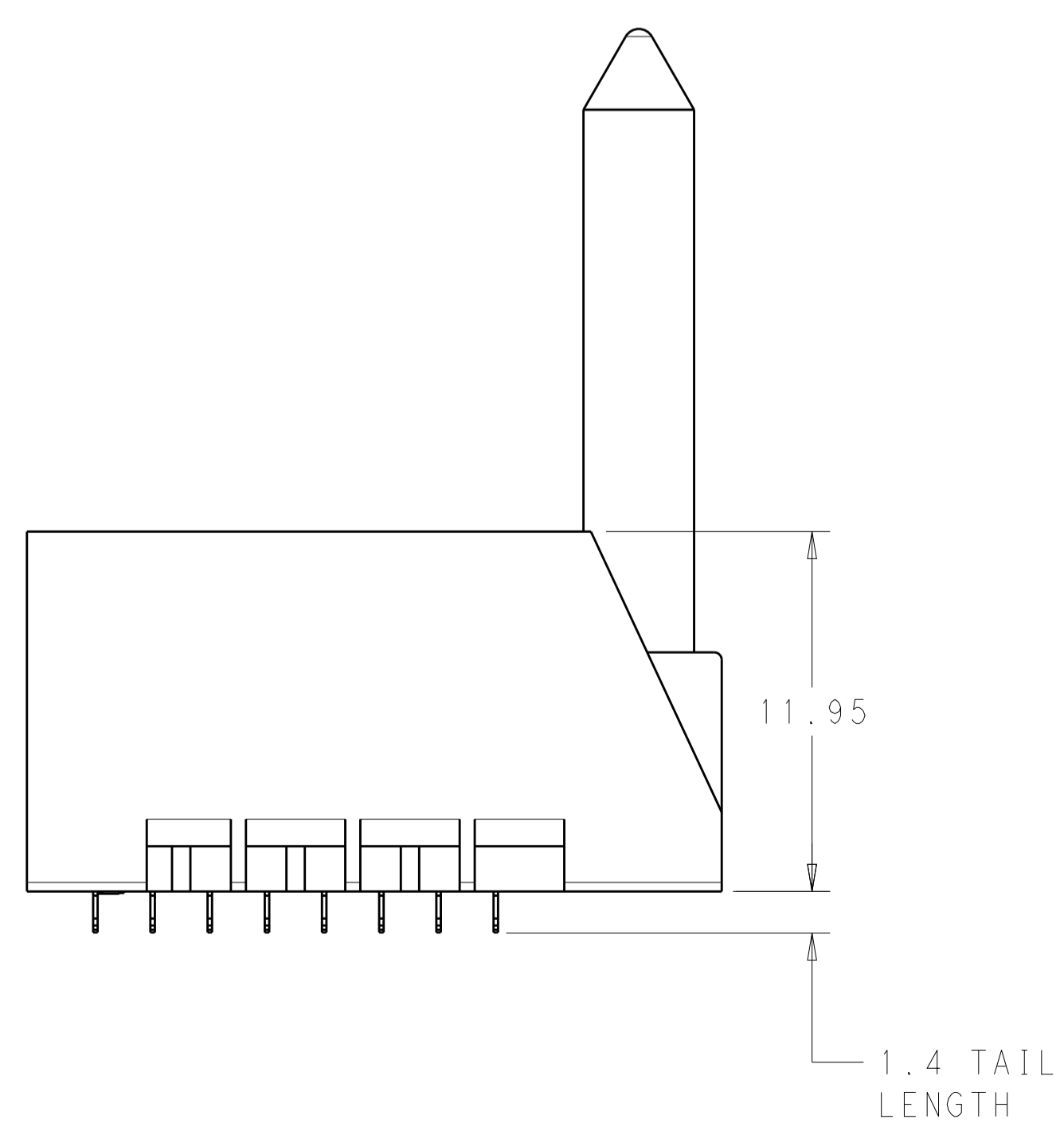


- 1 MATERIAL:
HOUSING: LCP, GLASS FILLED, UL94V-0.
TERMINALS: HIGH PERFORMANCE COPPER ALLOY.
- 2 FINISH:
30µ" MIN GOLD IN CONTACT AREA. SELECTIVE TIN ON PCB TAILS, NICKEL OVERALL.
- 3 FINISH:
30µ" MIN GOLD IN CONTACT AREA. SELECTIVE TIN-LEAD ON PCB TAILS, NICKEL OVERALL.
- 4. SCREWS PACKAGED IN END OF PACKAGING TUBE.
- 5 FOR GROUNDED GUIDE PIN USE $\varnothing 3.56 \pm 0.08$ PTH, $\varnothing 3.66$ DRILL, AND $\varnothing 6.5$ PAD.
- 6. KEYING PIN SHOWN IN POSITION A, SEE KEYING CHART ON SHEET 2 FOR OTHER POSITIONS.



144X $\varnothing 0.39 \pm 0.05$ PLATED THRU HOLE
 144X $\varnothing 0.48 \pm 0.013$ DRILL HOLE $\varnothing 0.10$
 $\varnothing 3.56 \pm 0.08$ UNPLATED SCREW HOLE $\varnothing 0.15$

RIGHT GUIDED BACKPLANE HOLE PATTERN (CONNECTOR SIDE)



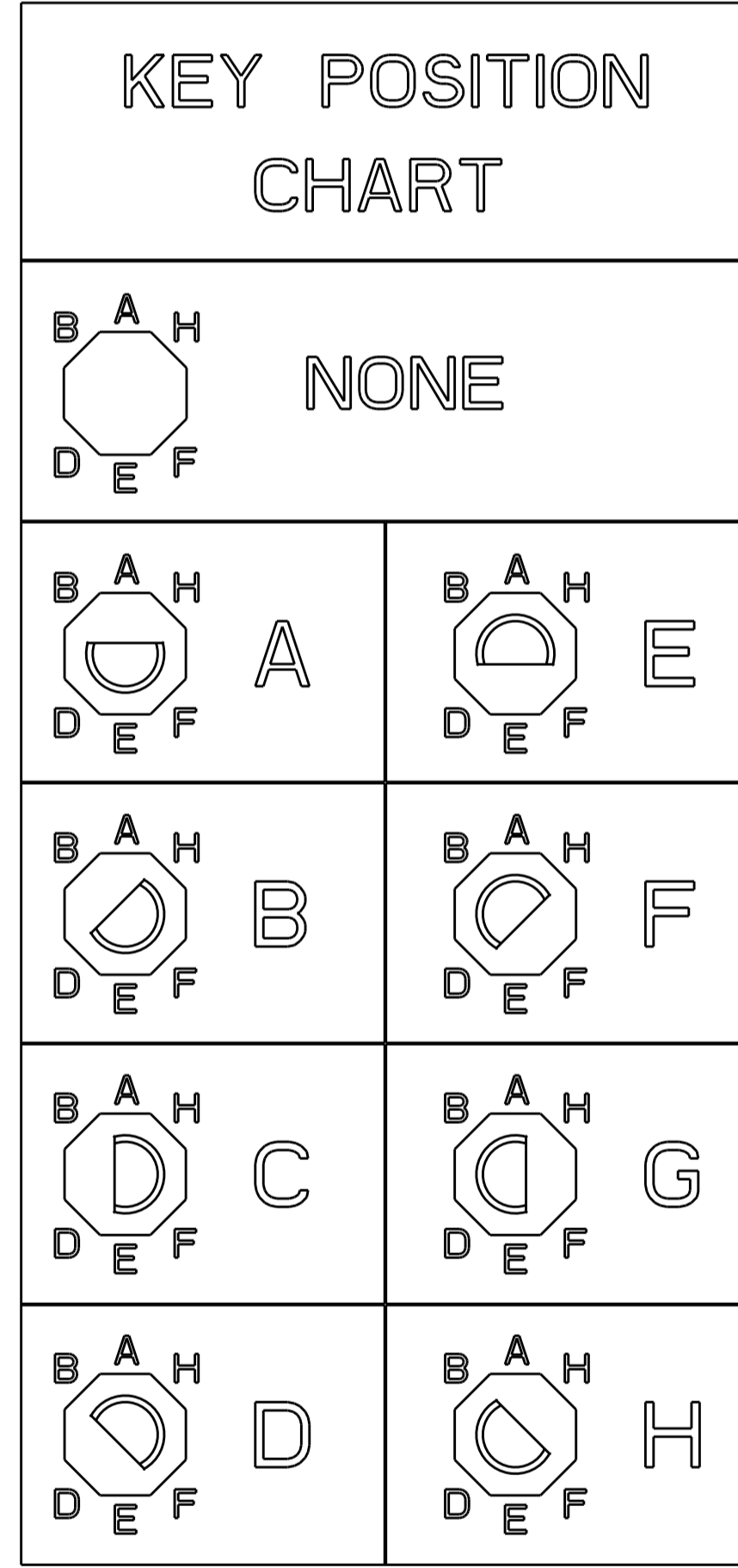
SECTION A-A

1.00 MINIMUM BOARD THICKNESS

THIS DRAWING IS A CONTROLLED DOCUMENT.		DWN	07JUN2011	STE TE Connectivity
DIMENSIONS: mm		CHK	J. EARY 07JUN2011	
TOLERANCES UNLESS OTHERWISE SPECIFIED:		APVD	J. EARY 07JUN2011	NAME IMPACT, 6 PAIR, 8 COLUMN, HEADER RIGHT GUIDED, LEFT END WALL SIGNAL MODULE, 0.39 PTH
0 PLC	±	PRODUCT SPEC		
1 PLC	±0.25	APPLICATION SPEC		SIZE CAGE CODE DRAWING NO RESTRICTED TO A100779C=2057791
2 PLC	±0.13	WEIGHT		
3 PLC	±	Customer Drawing		SCALE 5:1 SHEET 1 OF 2 REV A
4 PLC	±			
ANGLES	±			
FINISH	SEE TABLE			

LOC		DIST		REVISIONS			
AD	00	P	LTN	DESCRIPTION	DATE	DWN	APVD
		-		SEE SHEET 1		-	-

3	H	5.5	8-2057791-6
3	H	4.9	8-2057791-5
3	H	4.5	8-2057791-4
2	H	5.5	8-2057791-3
2	H	4.9	8-2057791-2
2	H	4.5	8-2057791-1
3	G	5.5	7-2057791-6
3	G	4.9	7-2057791-5
3	G	4.5	7-2057791-4
2	G	5.5	7-2057791-3
2	G	4.9	7-2057791-2
2	G	4.5	7-2057791-1
3	F	5.5	6-2057791-6
3	F	4.9	6-2057791-5
3	F	4.5	6-2057791-4
2	F	5.5	6-2057791-3
2	F	4.9	6-2057791-2
2	F	4.5	6-2057791-1
3	E	5.5	5-2057791-6
3	E	4.9	5-2057791-5
3	E	4.5	5-2057791-4
2	E	5.5	5-2057791-3
2	E	4.9	5-2057791-2
2	E	4.5	5-2057791-1
3	D	5.5	4-2057791-6
3	D	4.9	4-2057791-5
3	D	4.5	4-2057791-4
2	D	5.5	4-2057791-3
2	D	4.9	4-2057791-2
2	D	4.5	4-2057791-1
3	C	5.5	3-2057791-6
3	C	4.9	3-2057791-5
3	C	4.5	3-2057791-4
2	C	5.5	3-2057791-3
2	C	4.9	3-2057791-2
2	C	4.5	3-2057791-1
3	B	5.5	2-2057791-6
3	B	4.9	2-2057791-5
3	B	4.5	2-2057791-4
2	B	5.5	2-2057791-3
2	B	4.9	2-2057791-2
2	B	4.5	2-2057791-1
3	A	5.5	1-2057791-6
3	A	4.9	1-2057791-5
3	A	4.5	1-2057791-4
2	A	5.5	1-2057791-3
2	A	4.9	1-2057791-2
2	A	4.5	1-2057791-1
3	-	5.5	2057791-6
3	-	4.9	2057791-5
3	-	4.5	2057791-4
2	-	5.5	2057791-3
2	-	4.9	2057791-2
2	-	4.5	2057791-1
FINISH	KEY POSITION	DIM M	PART NUMBER



REFER TO WWW.TE.COM
FOR PRODUCT AVAILABILITY

THIS DRAWING IS A CONTROLLED DOCUMENT.		DWN - 07JUN2011	TE Connectivity
DIMENSIONS: mm		CHK J. EARY 07JUN2011	
TOLERANCES UNLESS OTHERWISE SPECIFIED:		APVD J. EARY 07JUN2011	NAME: IMPACT, 6 PAIR, 8 COLUMN, HEADER RIGHT GUIDED, LEFT END WALL SIGNAL MODULE, 0.39 PTH
0 PLC ±0.25		PRODUCT SPEC	
1 PLC ±0.13		APPLICATION SPEC	SIZE: CAGE CODE DRAWING NO. RESTRICTED TO
2 PLC ±		WEIGHT	A100779C=2057791
3 PLC ±		Customer Drawing	SCALE 5:1 SHEET 2 OF 2 REV A
4 PLC ±			
ANGLES			
FINISH SEE TABLE			