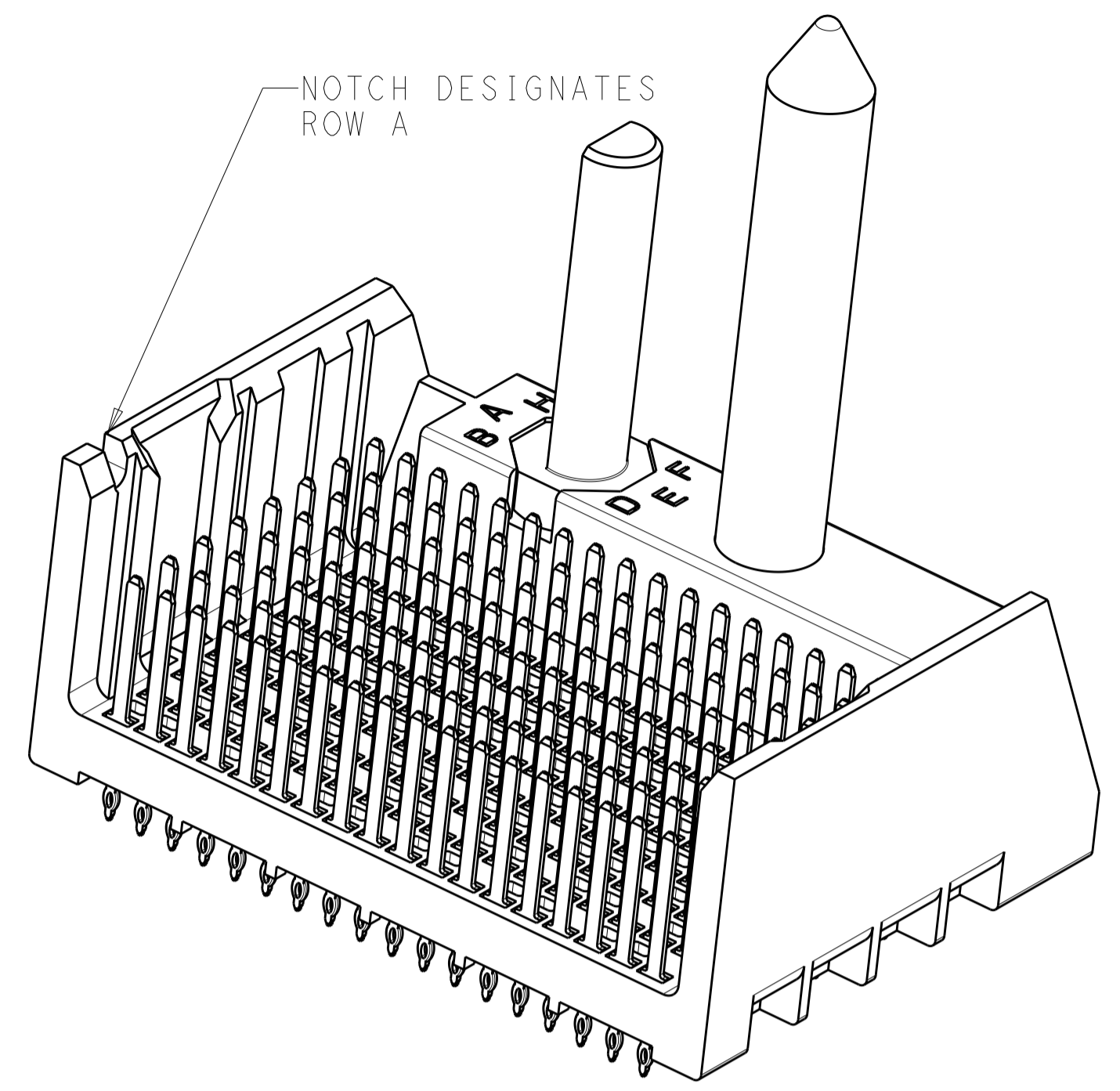
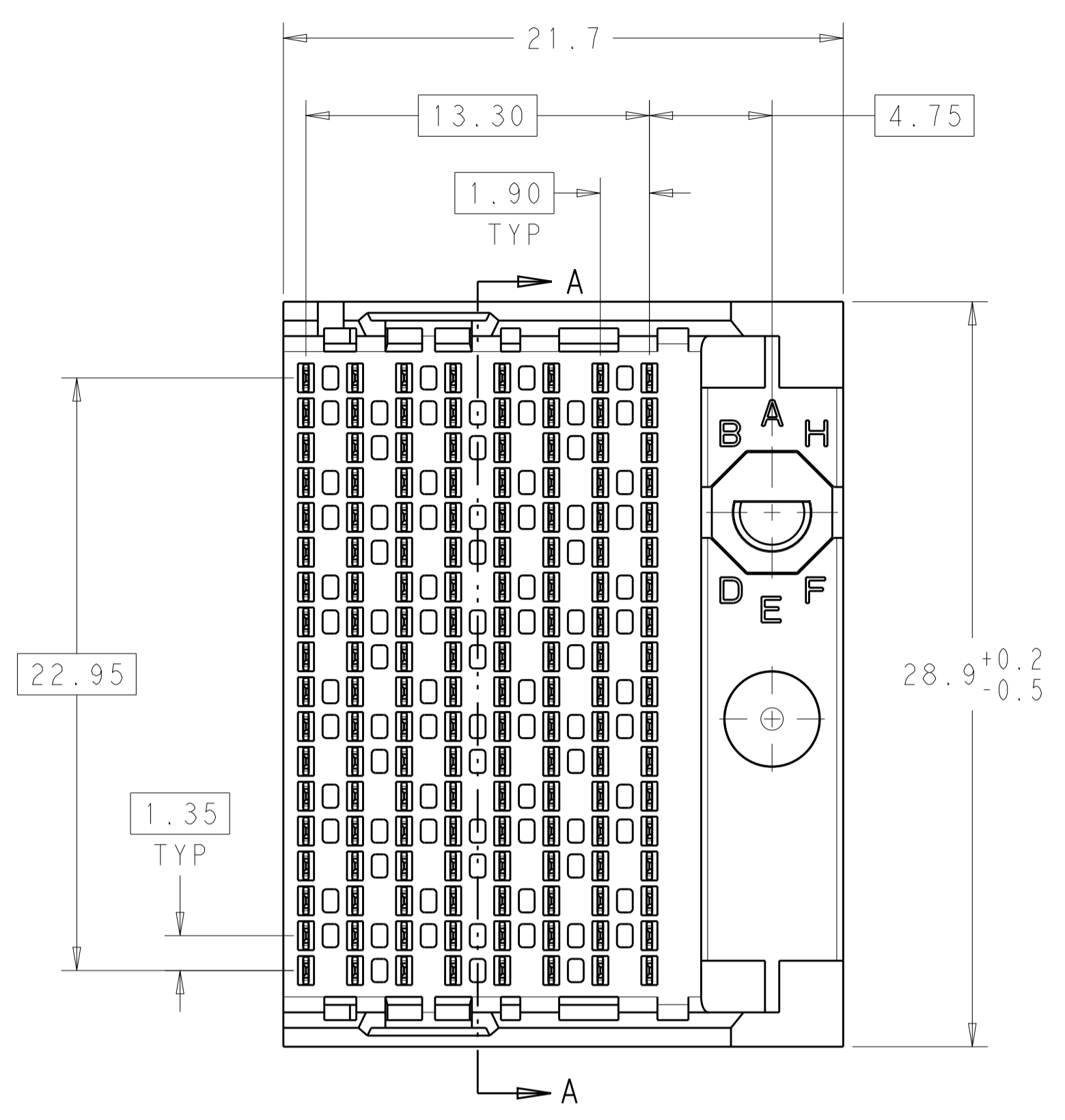
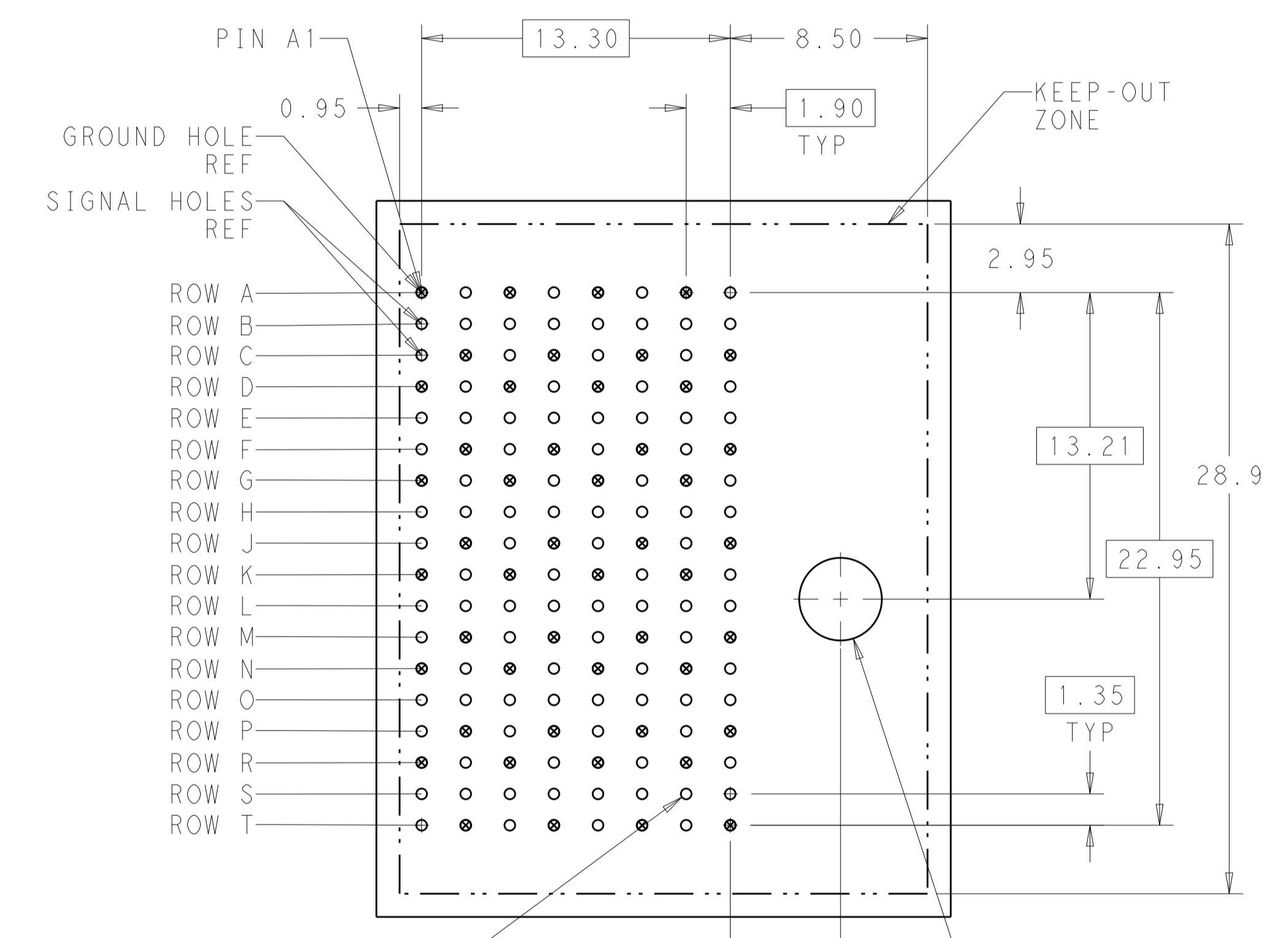


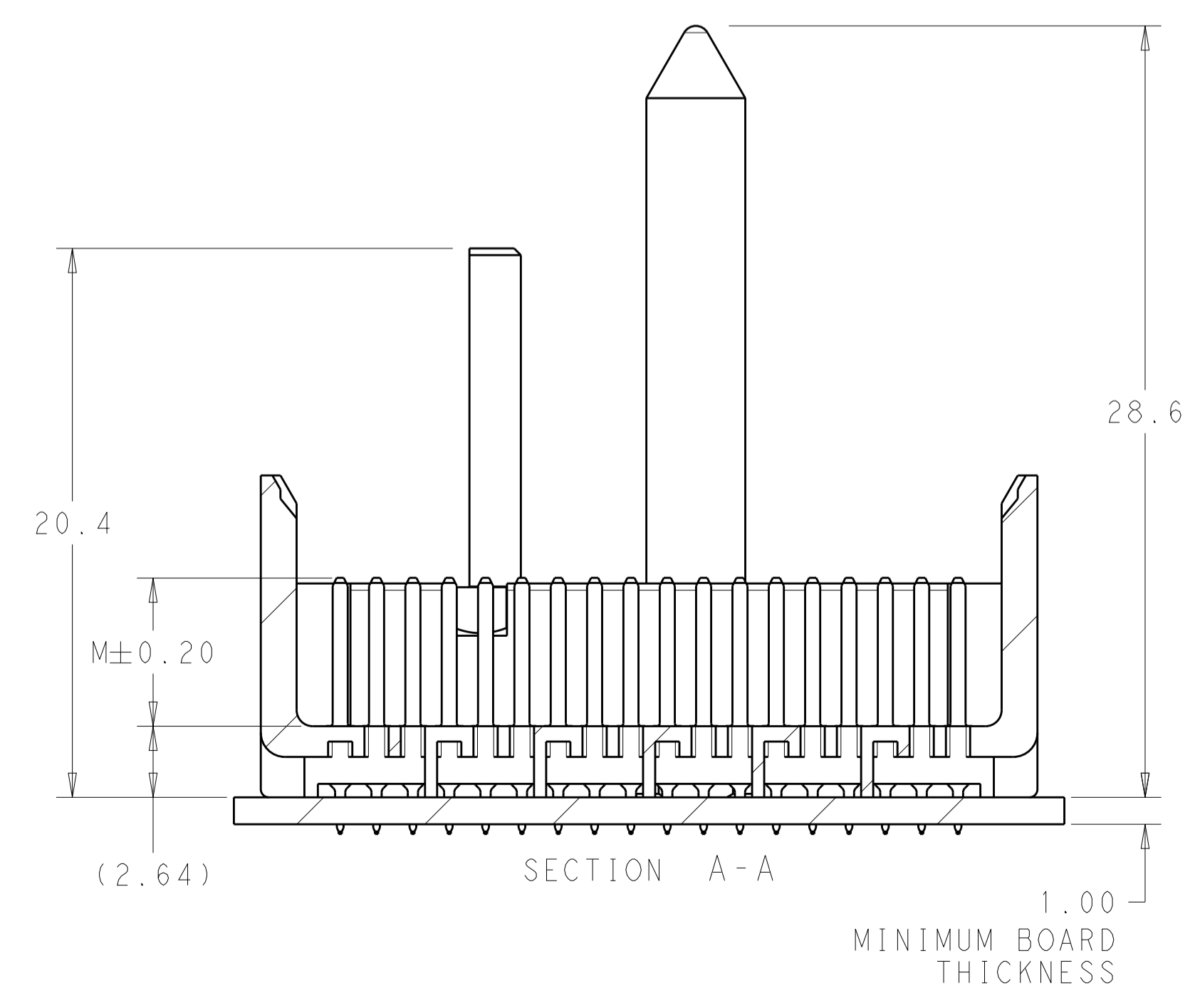
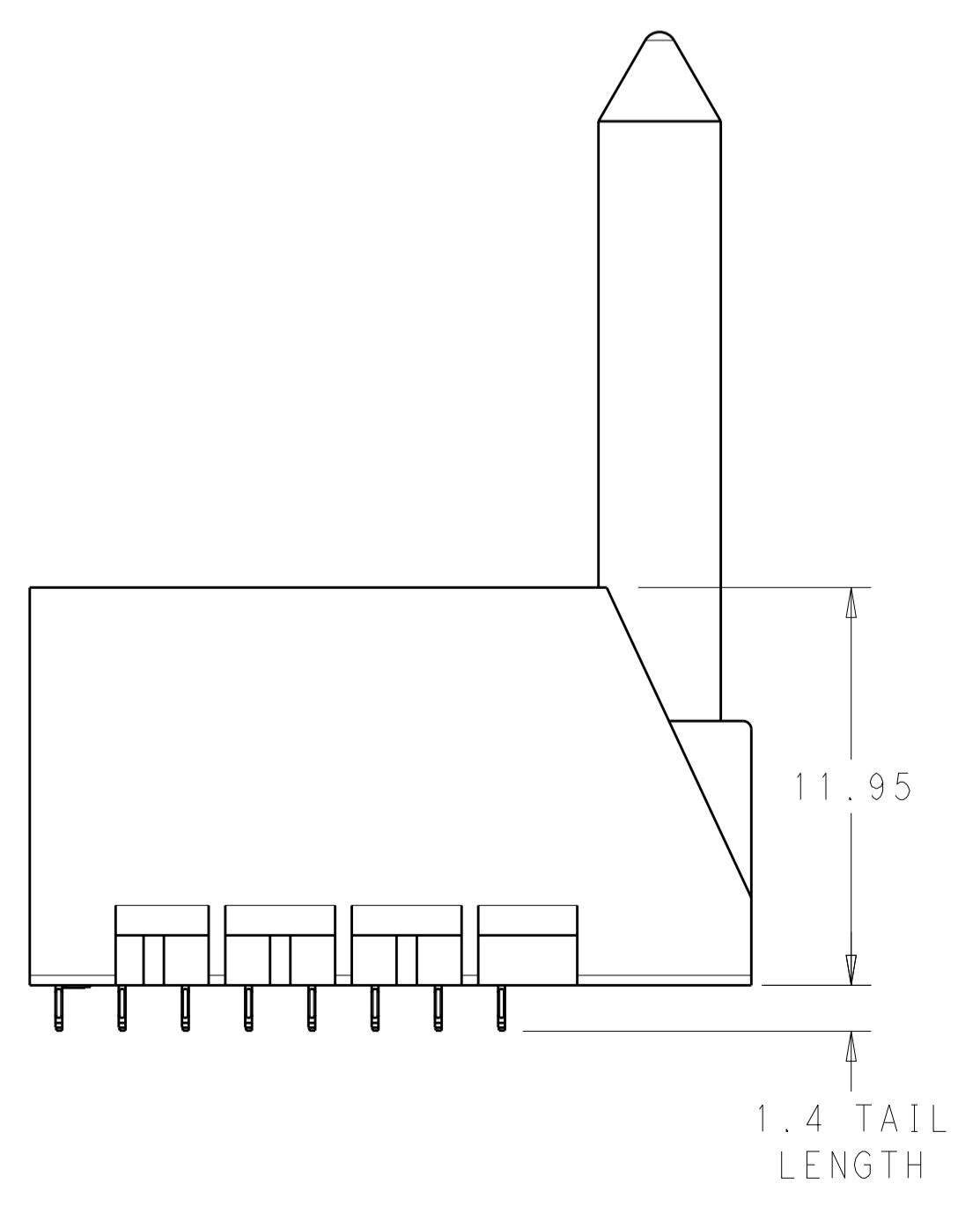
LOC		DIST		REVISIONS			
AD	00	P	LTN	DESCRIPTION	DATE	DWN	APVD
		A		CREATED BY AUTOMATION PROGRAM	09JUN2011	RKC	JE



- 1. MATERIAL:
HOUSING: LCP, GLASS FILLED, UL94V-0.
TERMINALS: HIGH PERFORMANCE COPPER ALLOY.
- 2. FINISH:
30µ" MIN GOLD IN CONTACT AREA. SELECTIVE TIN ON PCB TAILS, NICKEL OVERALL.
- 3. FINISH:
30µ" MIN GOLD IN CONTACT AREA. SELECTIVE TIN-LEAD ON PCB TAILS, NICKEL OVERALL.
- 4. SCREWS PACKAGED IN END OF PACKAGING TUBE.
- 5. FOR GROUNDED GUIDE PIN USE Ø3.56±0.08 PTH, Ø3.66 DRILL, AND Ø6.5 PAD.
- 6. KEYING PIN SHOWN IN POSITION A, SEE KEYING CHART ON SHEET 2 FOR OTHER POSITIONS.



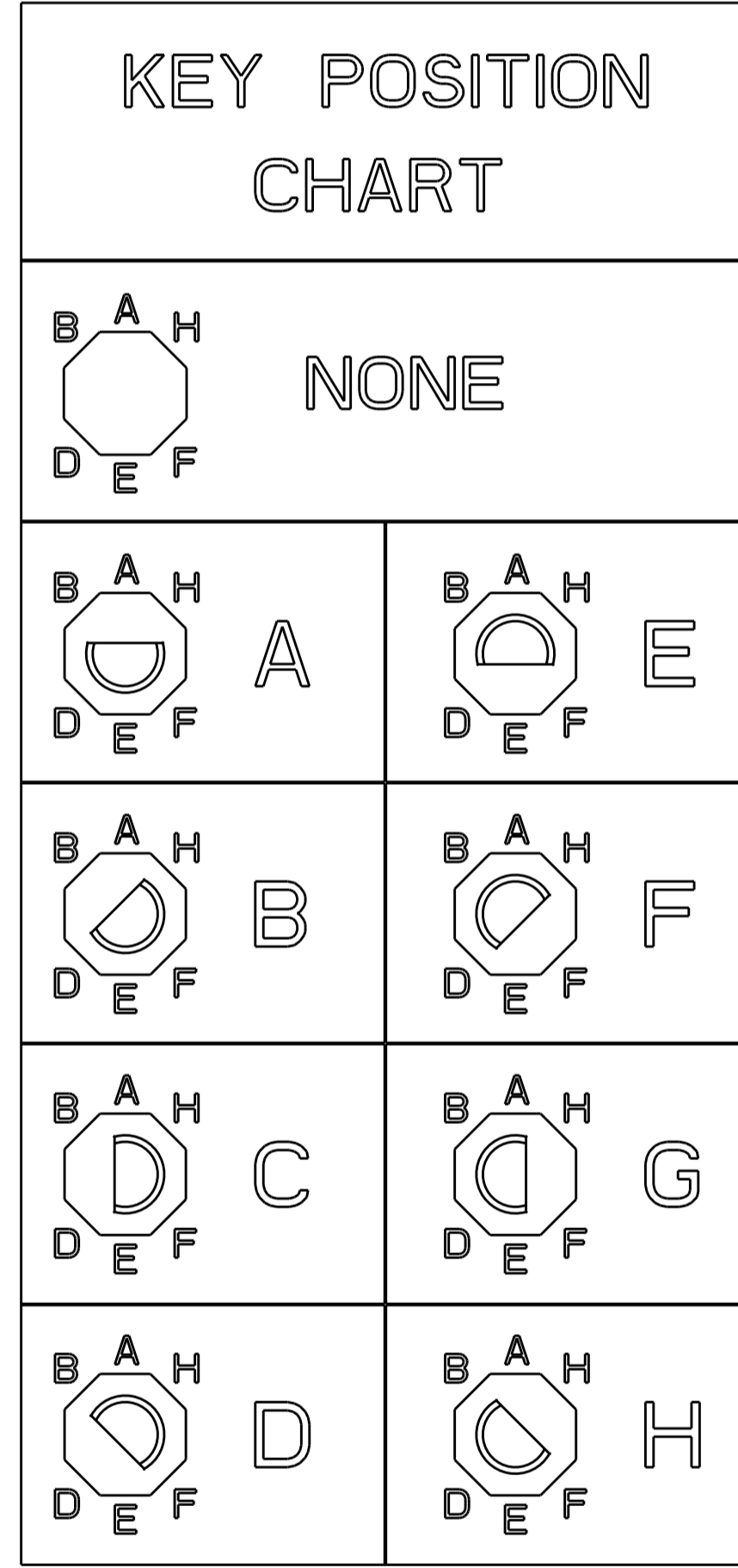
144X Ø0.46±0.05 PLATED THRU HOLE
 144X Ø0.55±0.013 DRILL HOLE
 Ø0.10
 RIGHT GUIDED BACKPLANE HOLE PATTERN (CONNECTOR SIDE)
 Ø3.56±0.08 UNPLATED SCREW HOLE



THIS DRAWING IS A CONTROLLED DOCUMENT.		DWN R. COELLO 07JUN2011	TE Connectivity
DIMENSIONS: mm		CHK J. EARY 07JUN2011	
TOLERANCES UNLESS OTHERWISE SPECIFIED:		APVD J. EARY 07JUN2011	NAME IMPACT, 6 PAIR, 8 COLUMN, HEADER RIGHT GUIDED, OPEN END WALL SIGNAL MODULE, 0.46 PTH
0 PLC ±0.25		PRODUCT SPEC	SIZE CAGE CODE DRAWING NO RESTRICTED TO
1 PLC ±0.13		APPLICATION SPEC	A100779C=2057788
2 PLC ±0.10		WEIGHT	SCALE 5:1 SHEET 1 OF 2 REV A
3 PLC ±0.08		CUSTOMER DRAWING	
4 PLC ±0.05			
ANGLES ±0.5			
FINISH SEE TABLE			

LOC	DIST	REVISIONS			
AD	00	REV	DATE	BY	APPV
-	-	SEE SHEET 1	-	-	-

3	H	5.5	8-2057788-6
3	H	4.9	8-2057788-5
3	H	4.5	8-2057788-4
2	H	5.5	8-2057788-3
2	H	4.9	8-2057788-2
2	H	4.5	8-2057788-1
3	G	5.5	7-2057788-6
3	G	4.9	7-2057788-5
3	G	4.5	7-2057788-4
2	G	5.5	7-2057788-3
2	G	4.9	7-2057788-2
2	G	4.5	7-2057788-1
3	F	5.5	6-2057788-6
3	F	4.9	6-2057788-5
3	F	4.5	6-2057788-4
2	F	5.5	6-2057788-3
2	F	4.9	6-2057788-2
2	F	4.5	6-2057788-1
3	E	5.5	5-2057788-6
3	E	4.9	5-2057788-5
3	E	4.5	5-2057788-4
2	E	5.5	5-2057788-3
2	E	4.9	5-2057788-2
2	E	4.5	5-2057788-1
3	D	5.5	4-2057788-6
3	D	4.9	4-2057788-5
3	D	4.5	4-2057788-4
2	D	5.5	4-2057788-3
2	D	4.9	4-2057788-2
2	D	4.5	4-2057788-1
3	C	5.5	3-2057788-6
3	C	4.9	3-2057788-5
3	C	4.5	3-2057788-4
2	C	5.5	3-2057788-3
2	C	4.9	3-2057788-2
2	C	4.5	3-2057788-1
3	B	5.5	2-2057788-6
3	B	4.9	2-2057788-5
3	B	4.5	2-2057788-4
2	B	5.5	2-2057788-3
2	B	4.9	2-2057788-2
2	B	4.5	2-2057788-1
3	A	5.5	1-2057788-6
3	A	4.9	1-2057788-5
3	A	4.5	1-2057788-4
2	A	5.5	1-2057788-3
2	A	4.9	1-2057788-2
2	A	4.5	1-2057788-1
3	-	5.5	2057788-6
3	-	4.9	2057788-5
3	-	4.5	2057788-4
2	-	5.5	2057788-3
2	-	4.9	2057788-2
2	-	4.5	2057788-1
FINISH	KEY POSITION	DIM M	PART NUMBER



REFER TO WWW.TE.COM
FOR PRODUCT AVAILABILITY

THIS DRAWING IS A CONTROLLED DOCUMENT.		OWN R. COELLO 07JUN2011	TE Connectivity														
DIMENSIONS: mm		CHK J. EARY 07JUN2011															
TOLERANCES UNLESS OTHERWISE SPECIFIED:		APVD J. EARY 07JUN2011															
<table border="1"> <tr><td>0 PLC</td><td>±</td></tr> <tr><td>1 PLC</td><td>±0.25</td></tr> <tr><td>2 PLC</td><td>±0.13</td></tr> <tr><td>3 PLC</td><td>±</td></tr> <tr><td>4 PLC</td><td>±</td></tr> <tr><td>ANGLES</td><td>±</td></tr> <tr><td>FINISH</td><td>±</td></tr> </table>		0 PLC	±	1 PLC	±0.25	2 PLC	±0.13	3 PLC	±	4 PLC	±	ANGLES	±	FINISH	±	NAME IMPACT, 6 PAIR, 8 COLUMN, HEADER RIGHT GUIDED, OPEN END WALL SIGNAL MODULE, 0.46 PTH	RESTRICTED TO
0 PLC	±																
1 PLC	±0.25																
2 PLC	±0.13																
3 PLC	±																
4 PLC	±																
ANGLES	±																
FINISH	±																
MATERIAL -		SIZE CAGE CODE DRAWING NO. A100779C=2057788	SCALE 5:1 SHEET 2 OF 2 REV A														
SEE TABLE		WEIGHT -	CUSTOMER DRAWING														