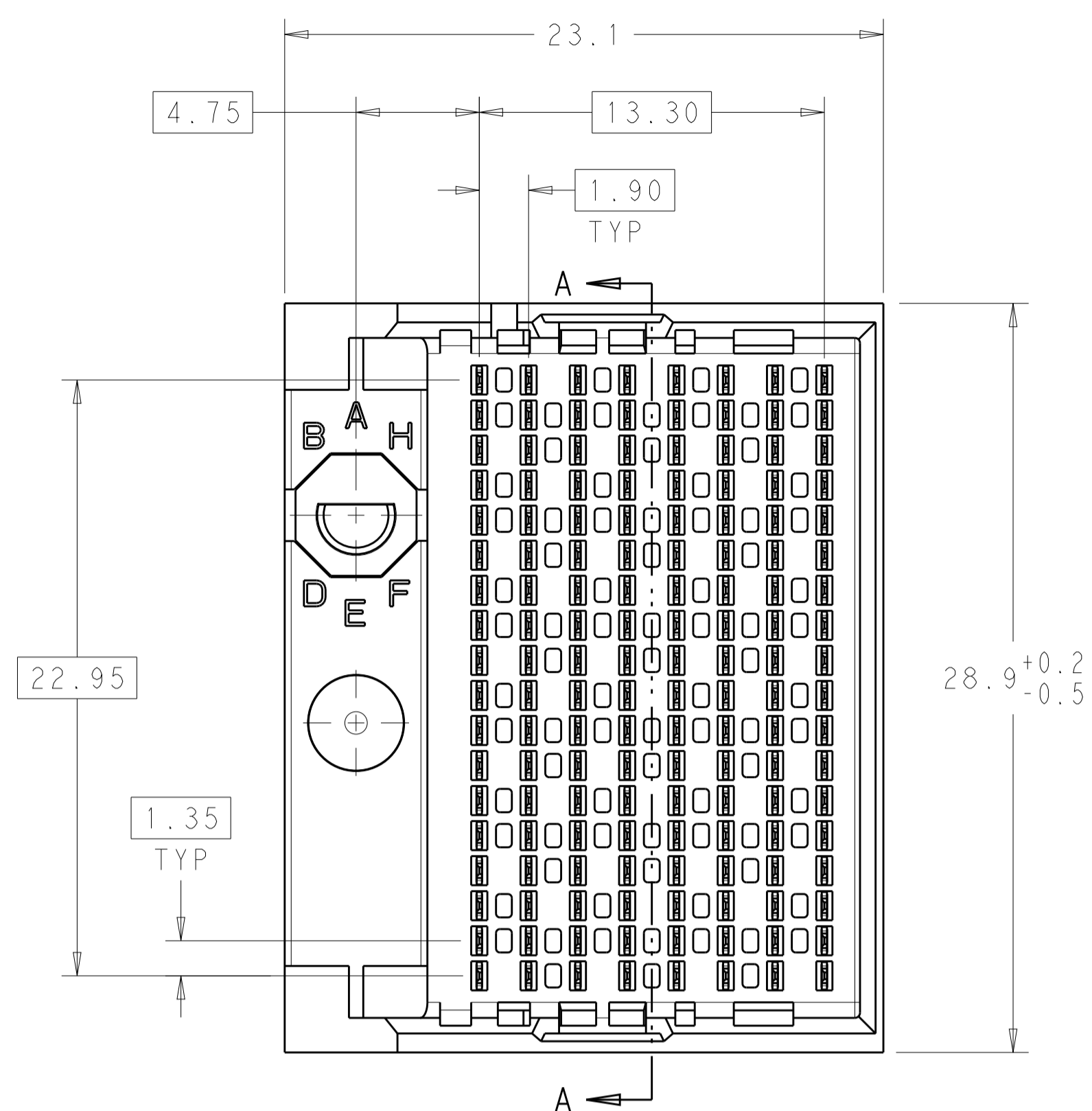
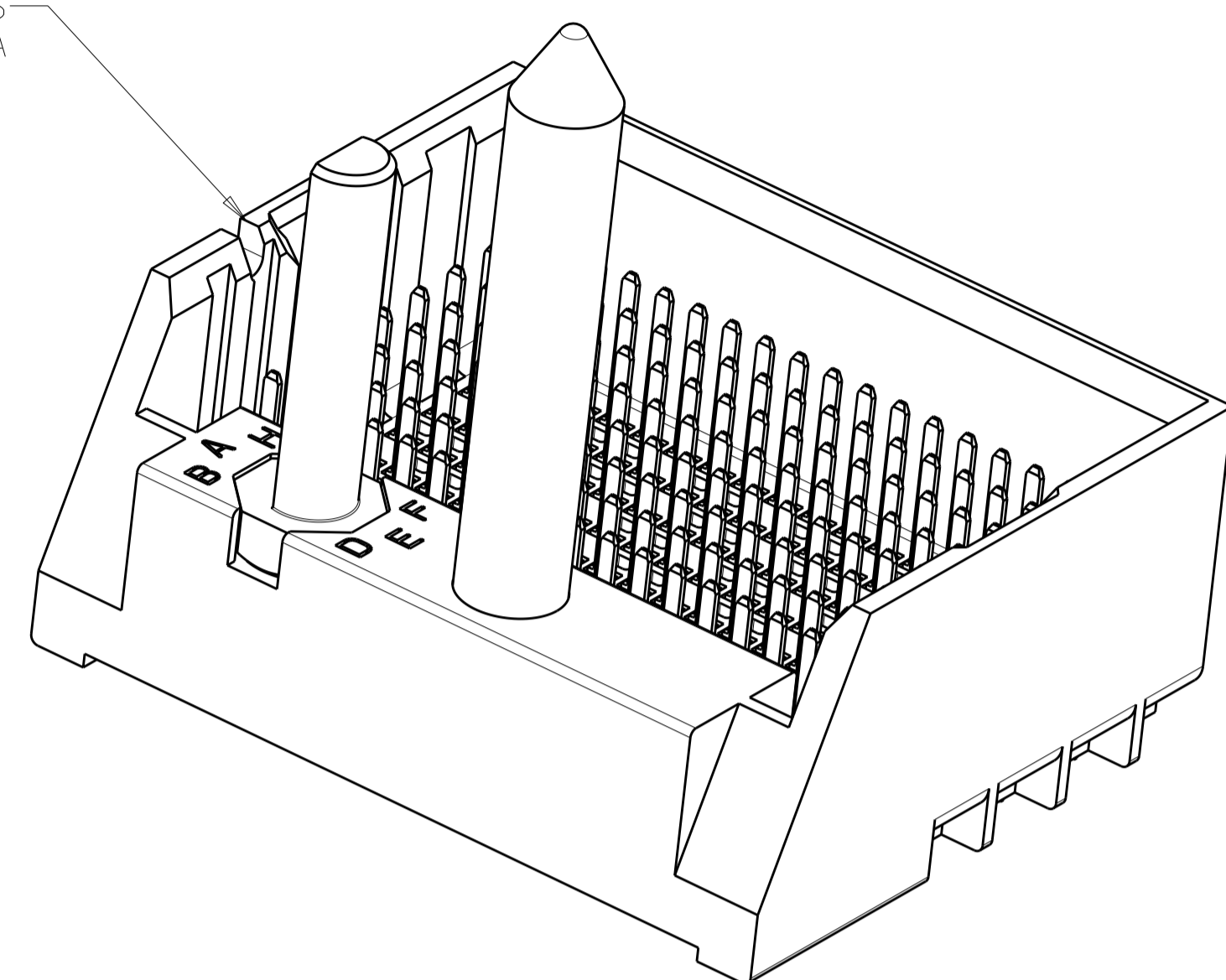


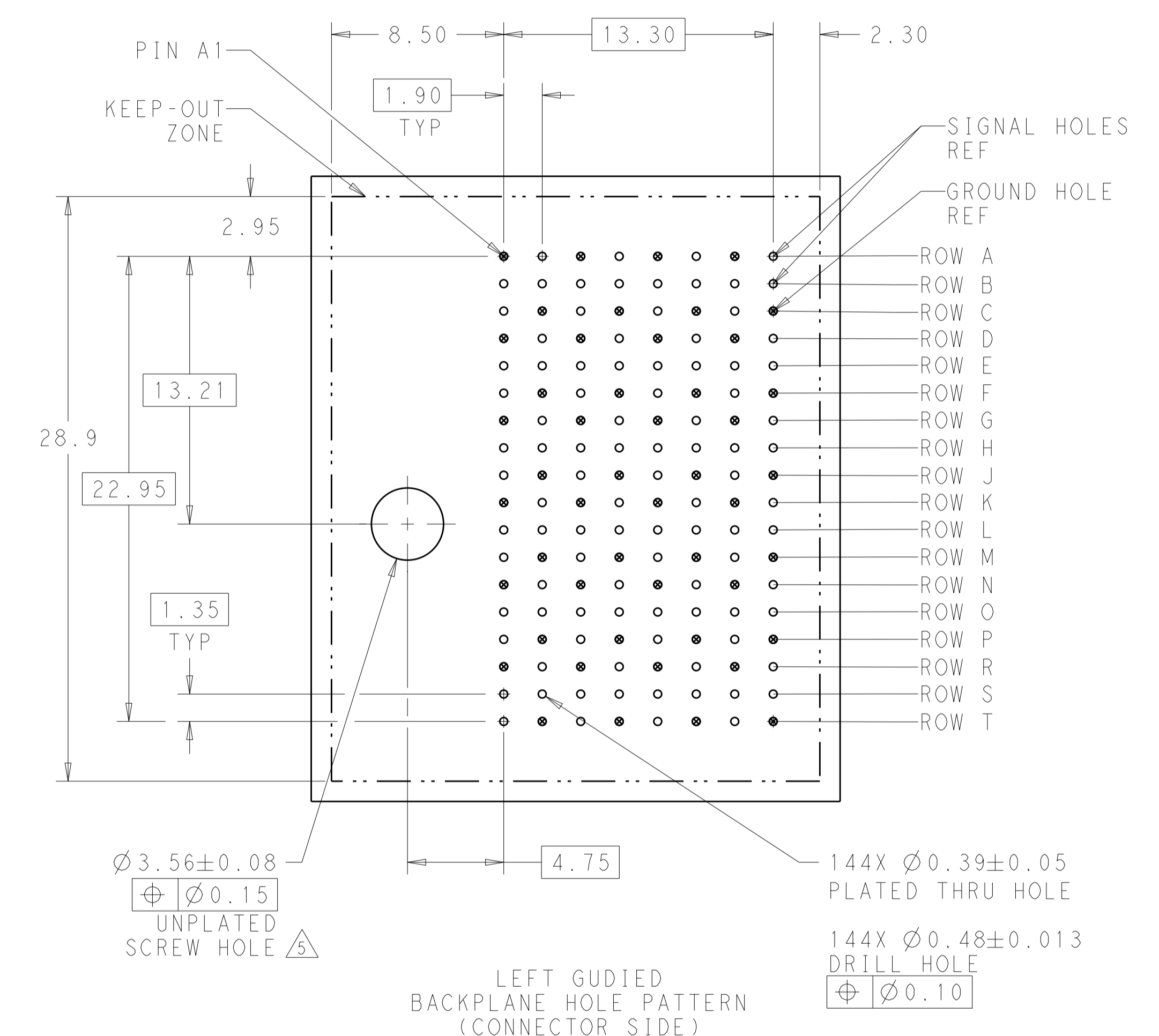
LOC	DIST	REVISIONS			
P	LTN	DESCRIPTION	DATE	DWN	APVD
A		CREATED BY AUTOMATION PROGRAM	08JUN2011	RKC	JE



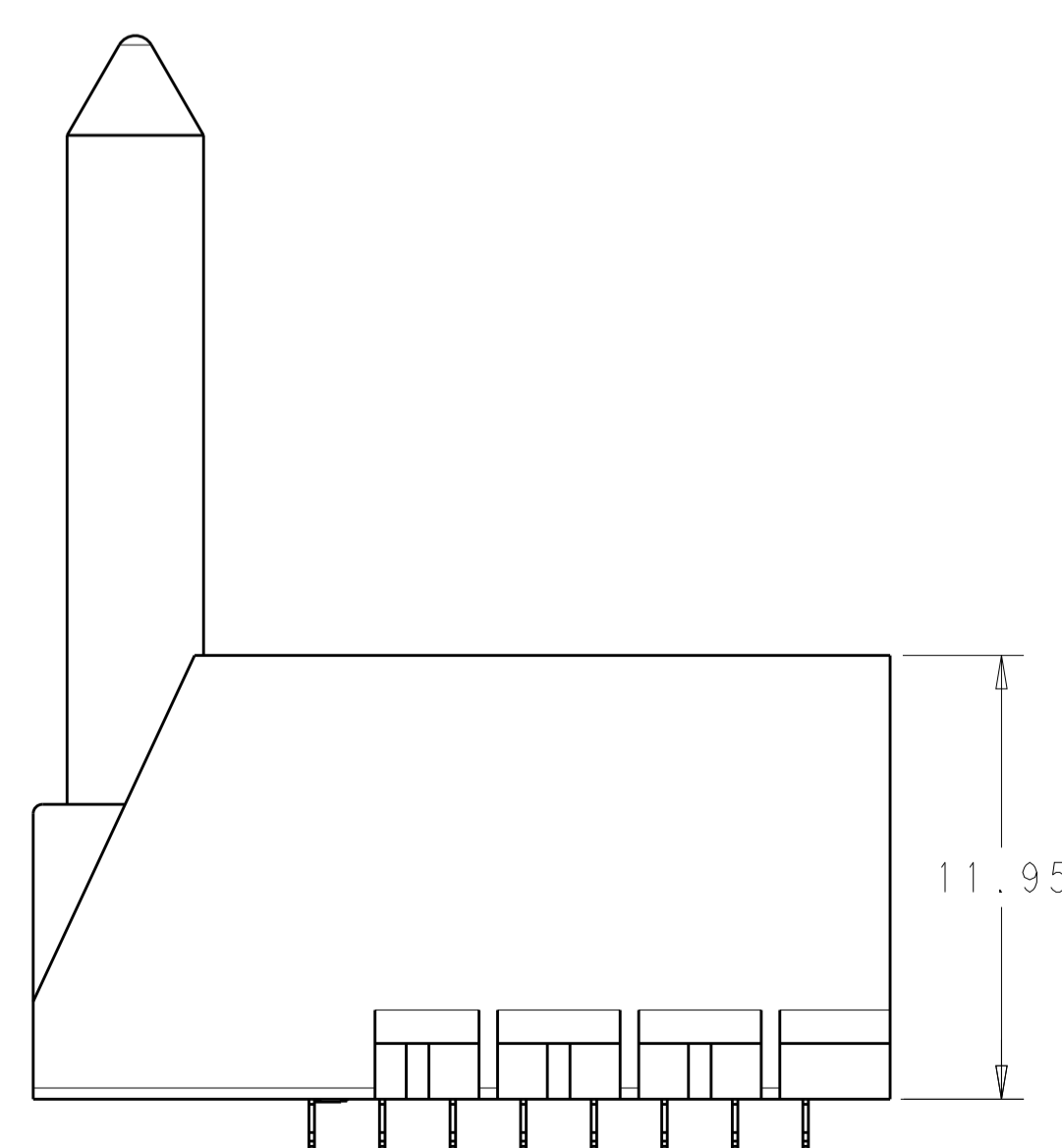
NOTCH DESIGNATES ROW A



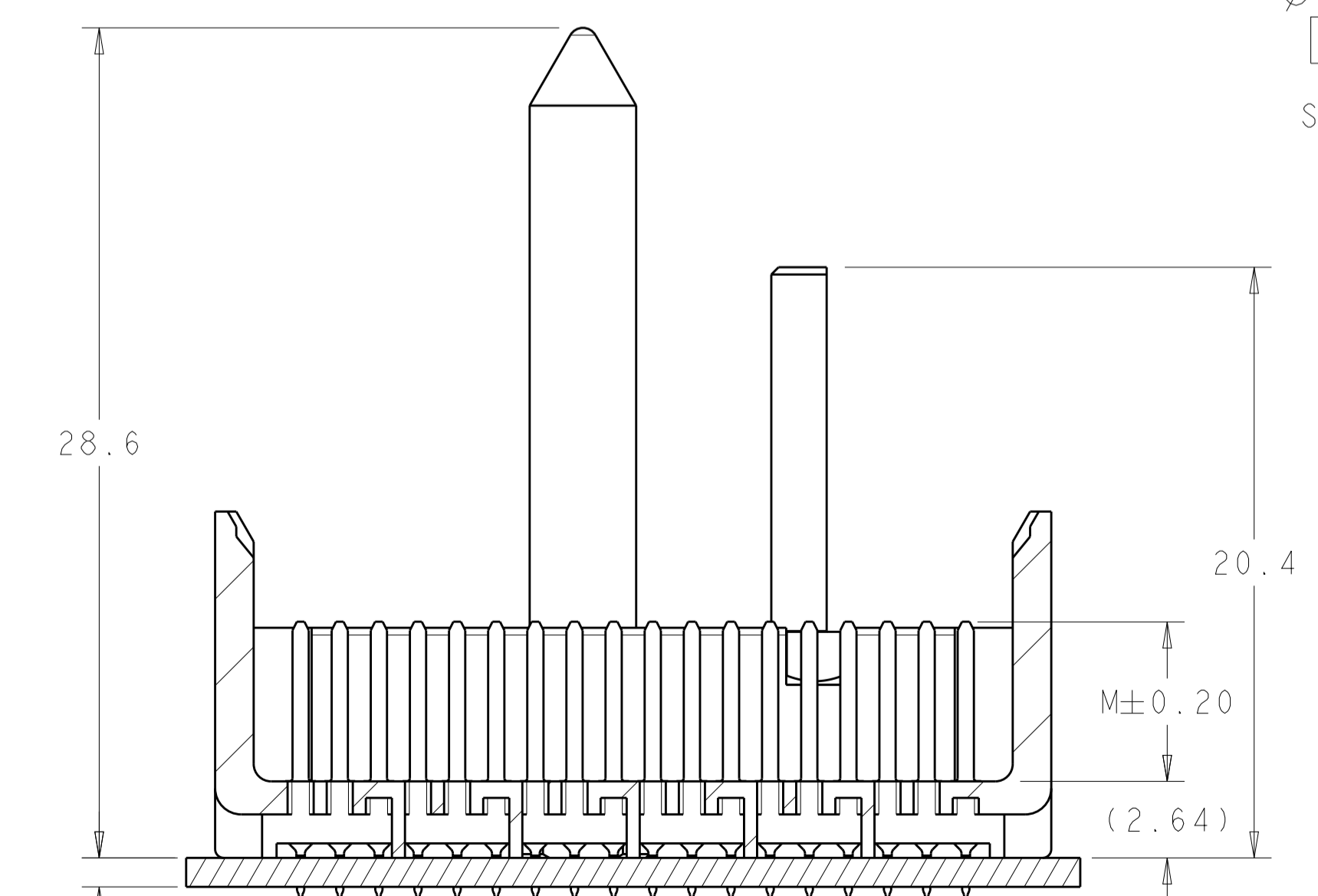
- 1 MATERIAL:
HOUSING: LCP, GLASS FILLED, UL94V-0.
TERMINALS: HIGH PERFORMANCE COPPER ALLOY.
- 2 FINISH:
30µ" MIN GOLD IN CONTACT AREA. SELECTIVE TIN ON PCB TAILS, NICKEL OVERALL.
- 3 FINISH:
30µ" MIN GOLD IN CONTACT AREA. SELECTIVE TIN-LEAD ON PCB TAILS, NICKEL OVERALL.
- 4. SCREWS PACKAGED IN END OF PACKAGING TUBE.
- 5 FOR GROUNDED GUIDE PIN USE Ø3.56±0.08 PTH, Ø3.66 DRILL, AND Ø6.5 PAD.
- 6. KEYING PIN SHOWN IN POSITION A, SEE KEYING CHART ON SHEET 2 FOR OTHER POSITIONS.



LEFT GUIDED BACKPLANE HOLE PATTERN (CONNECTOR SIDE)



1.4 TAIL LENGTH



SECTION A-A

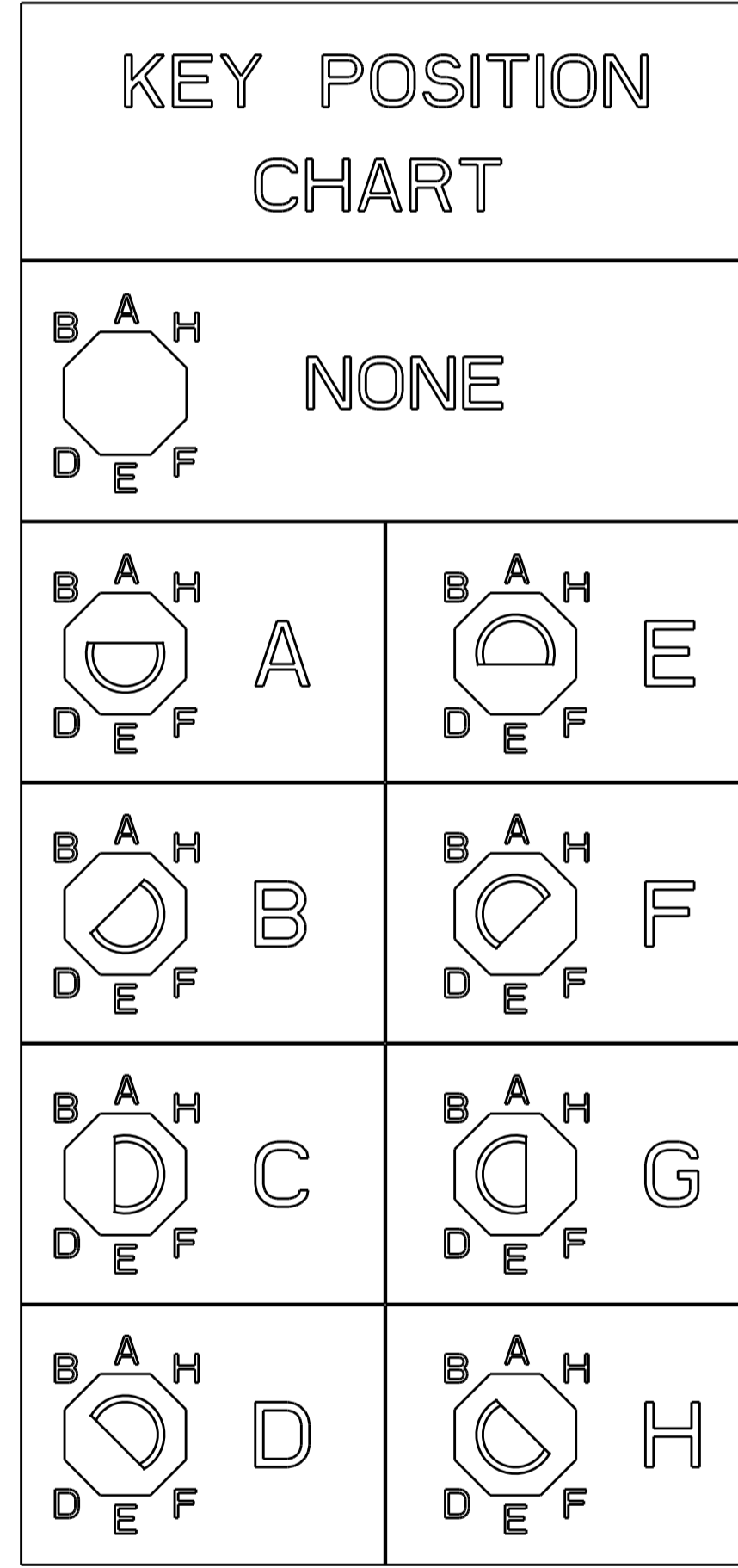
1.00 MINIMUM BOARD THICKNESS

THIS DRAWING IS A CONTROLLED DOCUMENT.		DWN	07JUN2011	STE TE Connectivity
DIMENSIONS:		CHK	J. EARY 07JUN2011	
TOLERANCES UNLESS OTHERWISE SPECIFIED:		APVD	J. EARY 07JUN2011	
mm		PRODUCT SPEC		
0 PLC ±		APPLICATION SPEC		NAME IMPACT, 6 PAIR, 8 COLUMN, HEADER LEFT GUIDED, RIGHT END WALL SIGNAL MODULE, 0.39 PTH
1 PLC ±0.25		SIZE	CAGE CODE DRAWING NO	
2 PLC ±0.13		WEIGHT		RESTRICTED TO
3 PLC ±		A100779C=2057787		
4 PLC ±		Customer Drawing		
ANGLES		SCALE 5:1		SHEET 1 OF 2
FINISH		REV A		

THIS DRAWING IS UNPUBLISHED. RELEASED FOR PUBLICATION 20
 © COPYRIGHT 20 BY - ALL RIGHTS RESERVED.

LOC		DIST		REVISIONS			
AD	00	P	LTN	DESCRIPTION	DATE	DWN	APVD
		-		SEE SHEET 1		-	-

3	H	5.5	8-2057787-6
3	H	4.9	8-2057787-5
3	H	4.5	8-2057787-4
2	H	5.5	8-2057787-3
2	H	4.9	8-2057787-2
2	H	4.5	8-2057787-1
3	G	5.5	7-2057787-6
3	G	4.9	7-2057787-5
3	G	4.5	7-2057787-4
2	G	5.5	7-2057787-3
2	G	4.9	7-2057787-2
2	G	4.5	7-2057787-1
3	F	5.5	6-2057787-6
3	F	4.9	6-2057787-5
3	F	4.5	6-2057787-4
2	F	5.5	6-2057787-3
2	F	4.9	6-2057787-2
2	F	4.5	6-2057787-1
3	E	5.5	5-2057787-6
3	E	4.9	5-2057787-5
3	E	4.5	5-2057787-4
2	E	5.5	5-2057787-3
2	E	4.9	5-2057787-2
2	E	4.5	5-2057787-1
3	D	5.5	4-2057787-6
3	D	4.9	4-2057787-5
3	D	4.5	4-2057787-4
2	D	5.5	4-2057787-3
2	D	4.9	4-2057787-2
2	D	4.5	4-2057787-1
3	C	5.5	3-2057787-6
3	C	4.9	3-2057787-5
3	C	4.5	3-2057787-4
2	C	5.5	3-2057787-3
2	C	4.9	3-2057787-2
2	C	4.5	3-2057787-1
3	B	5.5	2-2057787-6
3	B	4.9	2-2057787-5
3	B	4.5	2-2057787-4
2	B	5.5	2-2057787-3
2	B	4.9	2-2057787-2
2	B	4.5	2-2057787-1
3	A	5.5	1-2057787-6
3	A	4.9	1-2057787-5
3	A	4.5	1-2057787-4
2	A	5.5	1-2057787-3
2	A	4.9	1-2057787-2
2	A	4.5	1-2057787-1
3	-	5.5	2057787-6
3	-	4.9	2057787-5
3	-	4.5	2057787-4
2	-	5.5	2057787-3
2	-	4.9	2057787-2
2	-	4.5	2057787-1
FINISH	KEY POSITION	DIM M	PART NUMBER



REFER TO WWW.TE.COM
FOR PRODUCT AVAILABILITY

THIS DRAWING IS A CONTROLLED DOCUMENT.		DWN - 07JUN2011	TE Connectivity
DIMENSIONS: mm		CHK J. EARY 07JUN2011	
TOLERANCES UNLESS OTHERWISE SPECIFIED:		APVD J. EARY 07JUN2011	NAME: IMPACT, 6 PAIR, 8 COLUMN, HEADER LEFT GUIDED, RIGHT END WALL SIGNAL MODULE, 0.39 PTH SIZE: CAGE CODE DRAWING NO: A100779 ©=2057787 RESTRICTED TO: Customer Drawing
0 PLC ±0.25		PRODUCT SPEC	
1 PLC ±0.13		APPLICATION SPEC	
2 PLC ±0.13		WEIGHT	
3 PLC ±0.13		SCALE 5:1	SHEET 2 OF 2
4 PLC ±0.13		REV A	
ANGLES			
FINISH			
SEE TABLE			