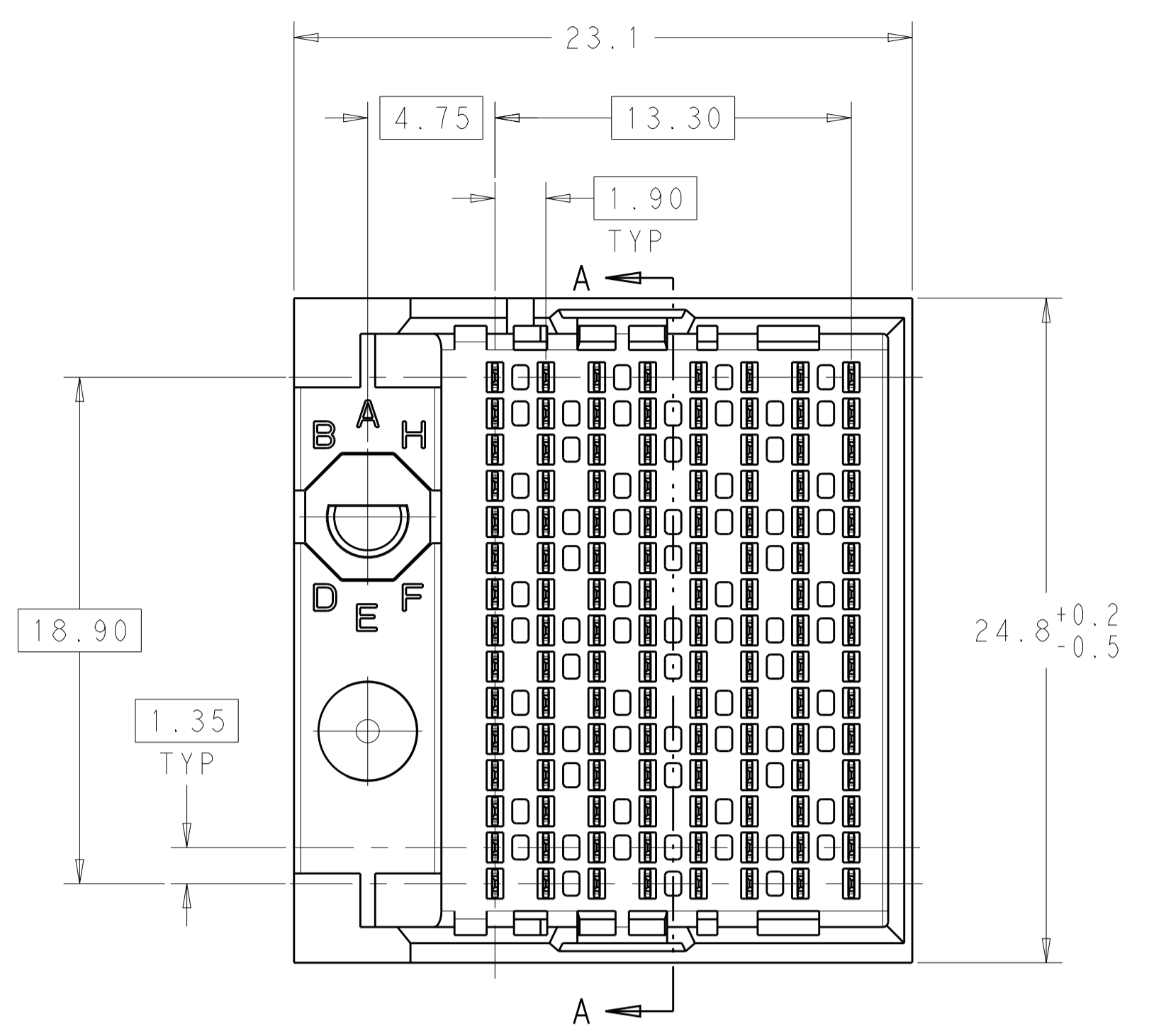
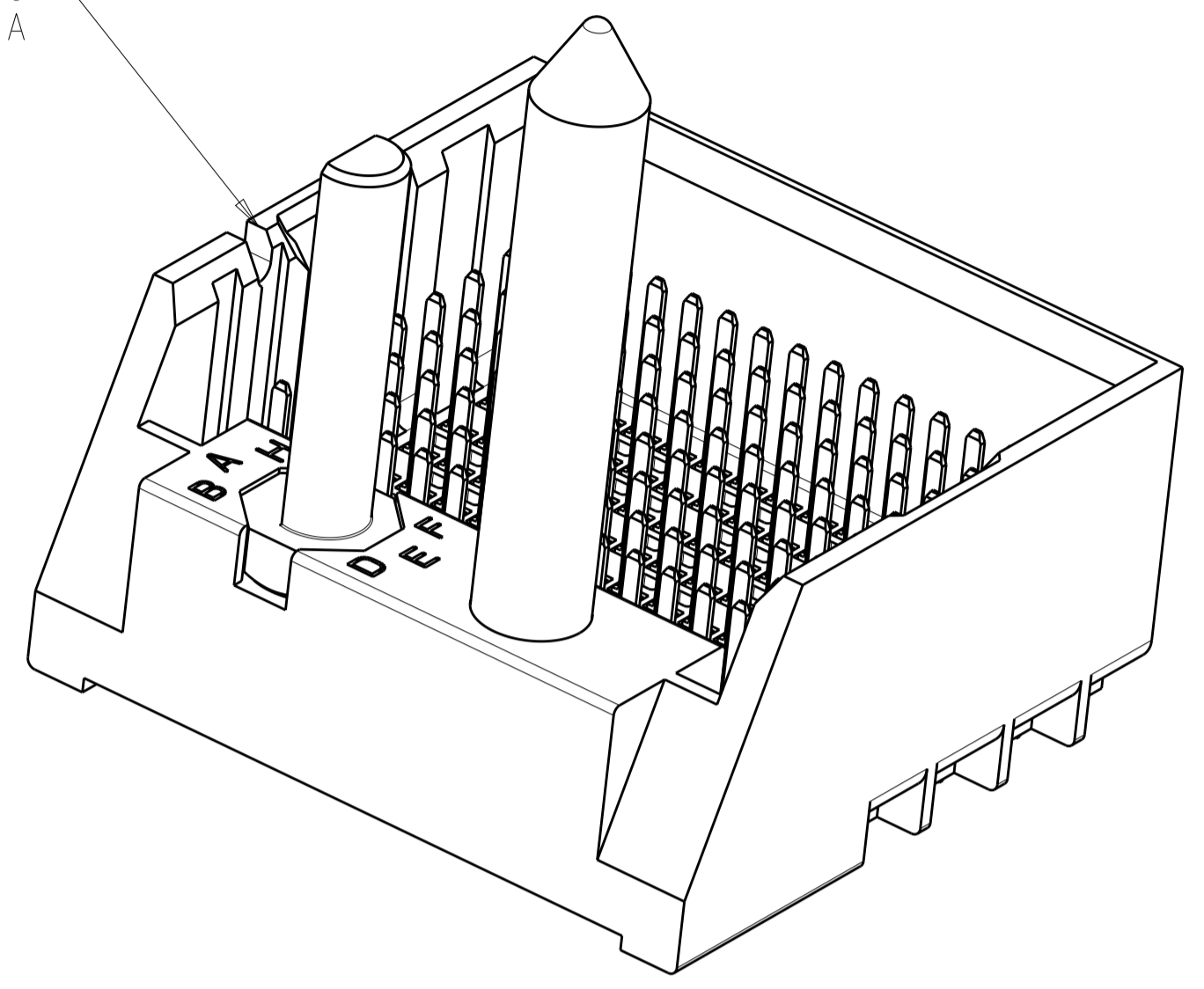


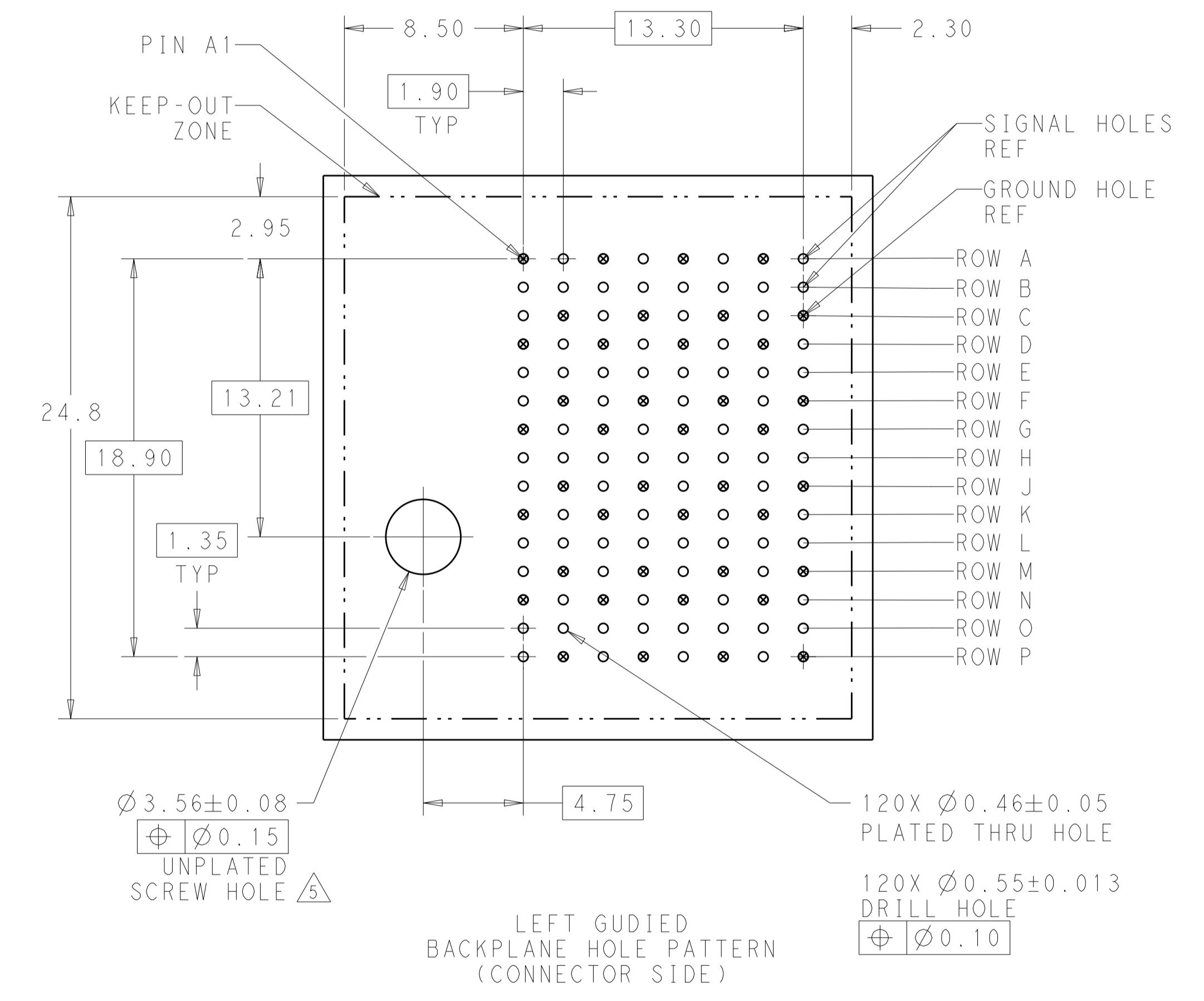
LOC		DIST		REVISIONS			
AD	00	P	LTN	DESCRIPTION	DATE	DWN	APVD
		A		CREATED BY AUTOMATION PROGRAM	06JUN2011	RKC	JE



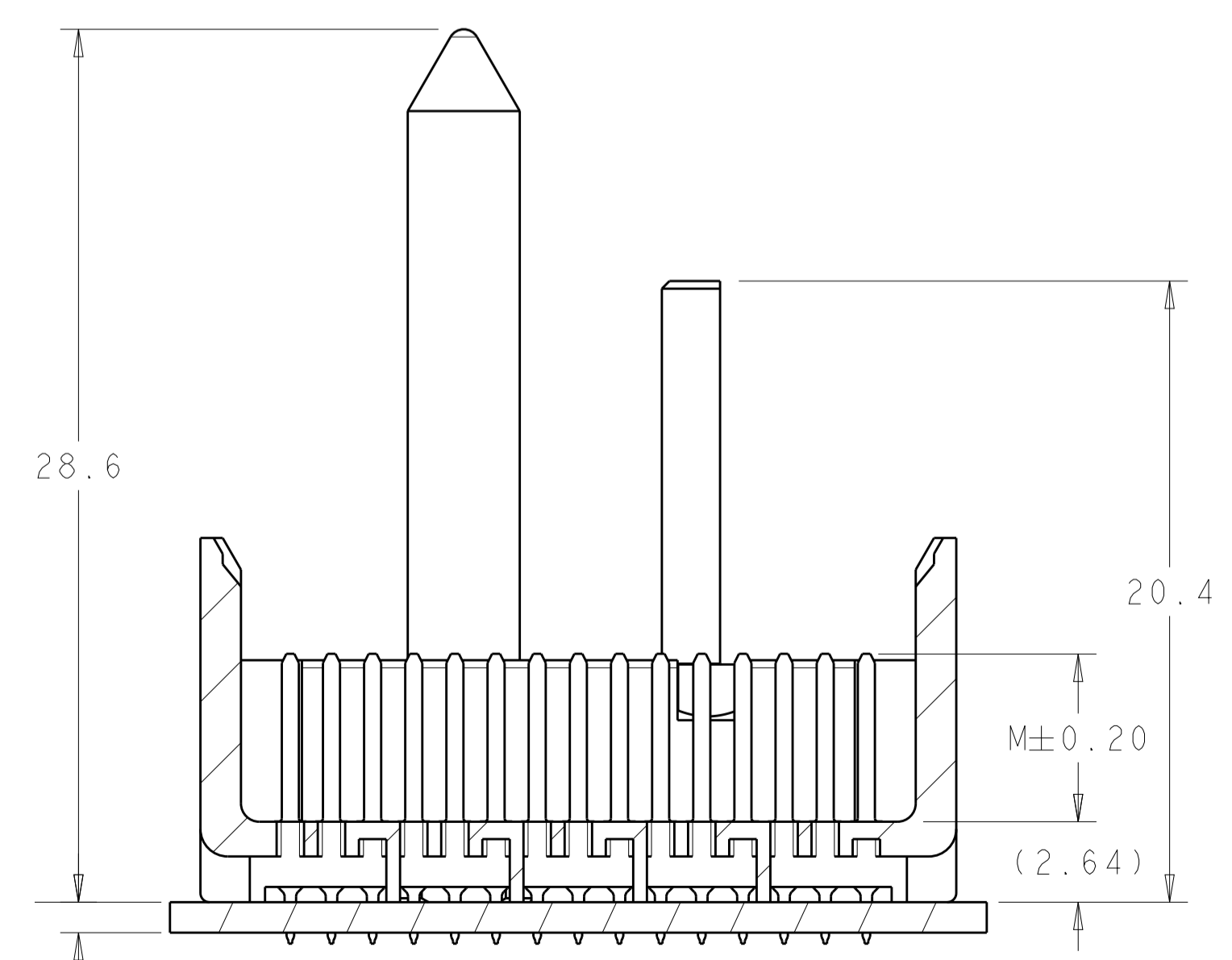
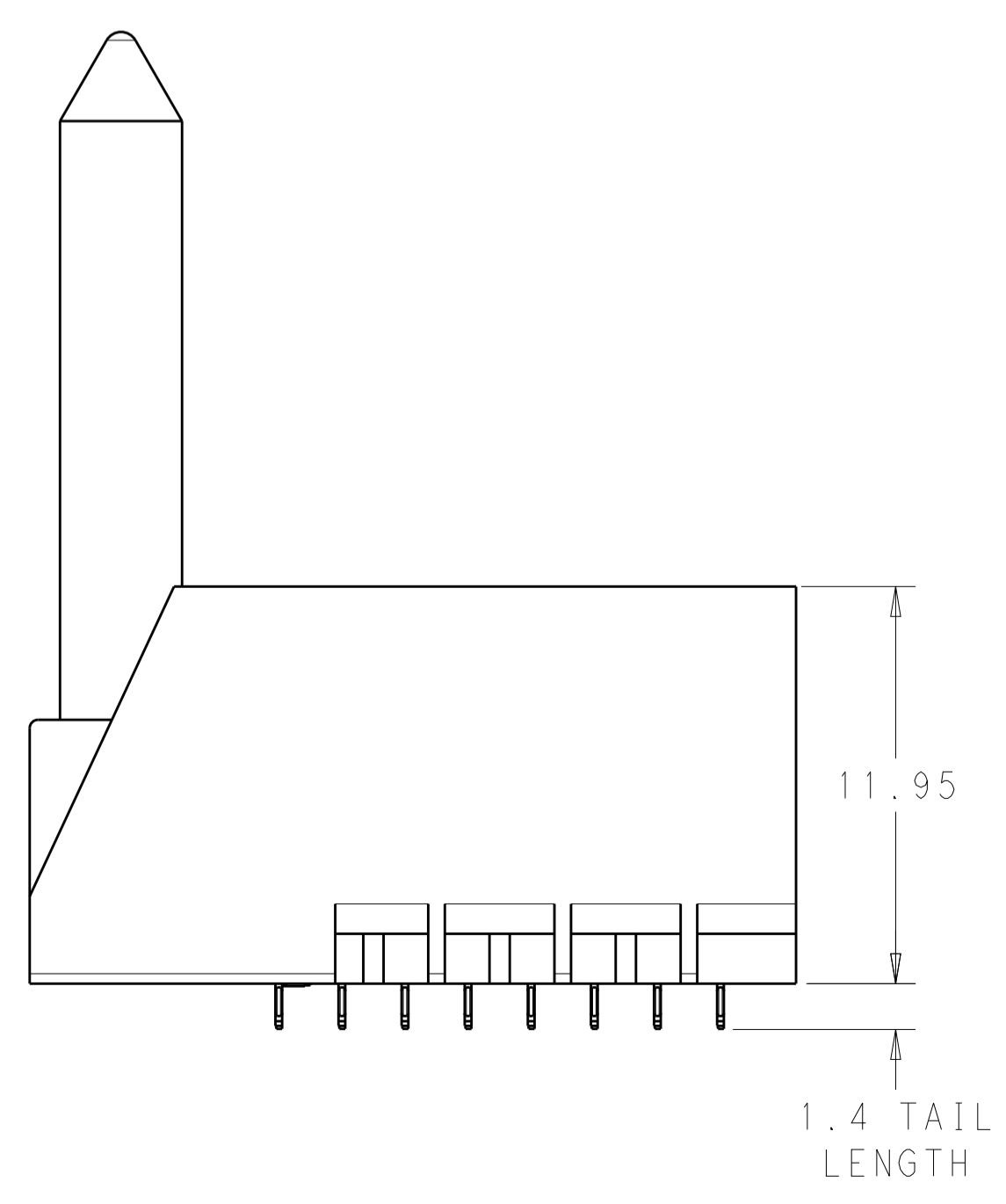
NOTCH DESIGNATES ROW A



- ⚠ MATERIAL:
HOUSING: LCP, GLASS FILLED, UL94V-0.
TERMINALS: HIGH PERFORMANCE COPPER ALLOY.
- ⚠ FINISH:
30μ" MIN GOLD IN CONTACT AREA. SELECTIVE TIN ON PCB TAILS, NICKEL OVERALL.
- ⚠ FINISH:
30μ" MIN GOLD IN CONTACT AREA. SELECTIVE TIN-LEAD ON PCB TAILS, NICKEL OVERALL.
- 4. SCREWS PACKAGED IN END OF PACKAGING TUBE.
- ⚠ FOR GROUNDED GUIDE PIN USE Ø3.56±0.08 PTH, Ø3.66 DRILL, AND Ø6.5 PAD.
- 6. KEYING PIN SHOWN IN POSITION A, SEE KEYING CHART ON SHEET 2 FOR OTHER POSITIONS.



LEFT GUIDED BACKPLANE HOLE PATTERN (CONNECTOR SIDE)



SECTION A-A

1.00 MINIMUM BOARD THICKNESS

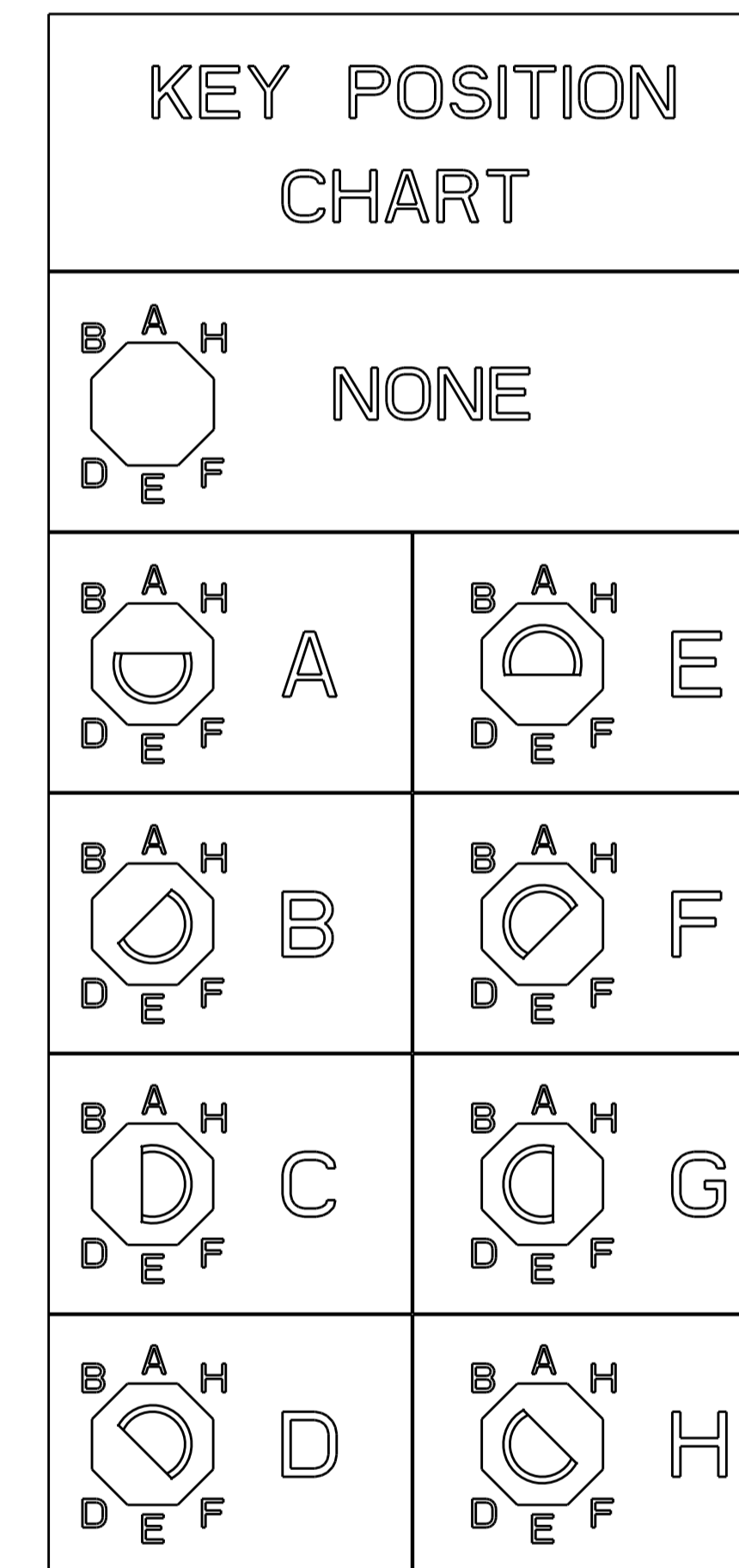
THIS DRAWING IS A CONTROLLED DOCUMENT.		DWN R. COELLO 03JUN2011	TE Connectivity
DIMENSIONS: mm		CHK J. EARY 03JUN2011	
TOLERANCES UNLESS OTHERWISE SPECIFIED:		APVD J. EARY 03JUN2011	NAME: IMPACT, 5 PAIR, 8 COLUMN, HEADER LEFT GUIDED, RIGHT END WALL SIGNAL MODULE, 0.46 PTH SIZE: CAGE CODE DRAWING NO: A100779C=2057770 RESTRICTED TO:
0 PLC ±0.25 1 PLC ±0.13 2 PLC ±0.13 3 PLC ±0.13 4 PLC ±0.13 ANGLES ±0.13		PRODUCT SPEC	
MATERIAL: SEE TABLE		APPLICATION SPEC	SCALE: 5:1 SHEET 1 OF 2 REV A
FINISH: SEE TABLE		WEIGHT	CUSTOMER DRAWING

THIS DRAWING IS UNPUBLISHED. RELEASED FOR PUBLICATION 20
 © COPYRIGHT 20 BY - ALL RIGHTS RESERVED.

LOC	DIST	REV	DATE	BY	CHKD	APVD
AD	00					
REVISIONS			DESCRIPTION	DATE	DWN	APVD
			SEE SHEET 1			

3	H	5.5	8-2057770-6
3	H	4.9	8-2057770-5
3	H	4.5	8-2057770-4
2	H	5.5	8-2057770-3
2	H	4.9	8-2057770-2
2	H	4.5	8-2057770-1
3	G	5.5	7-2057770-6
3	G	4.9	7-2057770-5
3	G	4.5	7-2057770-4
2	G	5.5	7-2057770-3
2	G	4.9	7-2057770-2
2	G	4.5	7-2057770-1
3	F	5.5	6-2057770-6
3	F	4.9	6-2057770-5
3	F	4.5	6-2057770-4
2	F	5.5	6-2057770-3
2	F	4.9	6-2057770-2
2	F	4.5	6-2057770-1
3	E	5.5	5-2057770-6
3	E	4.9	5-2057770-5
3	E	4.5	5-2057770-4
2	E	5.5	5-2057770-3
2	E	4.9	5-2057770-2
2	E	4.5	5-2057770-1
3	D	5.5	4-2057770-6
3	D	4.9	4-2057770-5
3	D	4.5	4-2057770-4
2	D	5.5	4-2057770-3
2	D	4.9	4-2057770-2
2	D	4.5	4-2057770-1
3	C	5.5	3-2057770-6
3	C	4.9	3-2057770-5
3	C	4.5	3-2057770-4
2	C	5.5	3-2057770-3
2	C	4.9	3-2057770-2
2	C	4.5	3-2057770-1
3	B	5.5	2-2057770-6
3	B	4.9	2-2057770-5
3	B	4.5	2-2057770-4
2	B	5.5	2-2057770-3
2	B	4.9	2-2057770-2
2	B	4.5	2-2057770-1
3	A	5.5	1-2057770-6
3	A	4.9	1-2057770-5
3	A	4.5	1-2057770-4
2	A	5.5	1-2057770-3
2	A	4.9	1-2057770-2
2	A	4.5	1-2057770-1
3	-	5.5	2057770-6
3	-	4.9	2057770-5
3	-	4.5	2057770-4
2	-	5.5	2057770-3
2	-	4.9	2057770-2
2	-	4.5	2057770-1
FINISH	KEY POSITION	DIM M	PART NUMBER

REFER TO WWW.TE.COM
FOR PRODUCT AVAILABILITY



THIS DRAWING IS A CONTROLLED DOCUMENT.		DWN R. COELLO 03JUN2011	TE Connectivity
DIMENSIONS: mm		CHK J. EARY 03JUN2011	
TOLERANCES UNLESS OTHERWISE SPECIFIED:		APVD J. EARY 03JUN2011	
0 PLC ±0.25 1 PLC ±0.13 2 PLC ±0.13 3 PLC ±0.13 4 PLC ±0.13 ANGLES ±0.13 FINISH SEE TABLE		NAME IMPACT, 5 PAIR, 8 COLUMN, HEADER LEFT GUIDED, RIGHT END WALL SIGNAL MODULE, 0.46 PTH PRODUCT SPEC APPLICATION SPEC WEIGHT CUSTOMER DRAWING	SIZE CAGE CODE DRAWING NO. RESTRICTED TO A100779C=2057770 SCALE 5:1 SHEET 2 OF 2 REV A