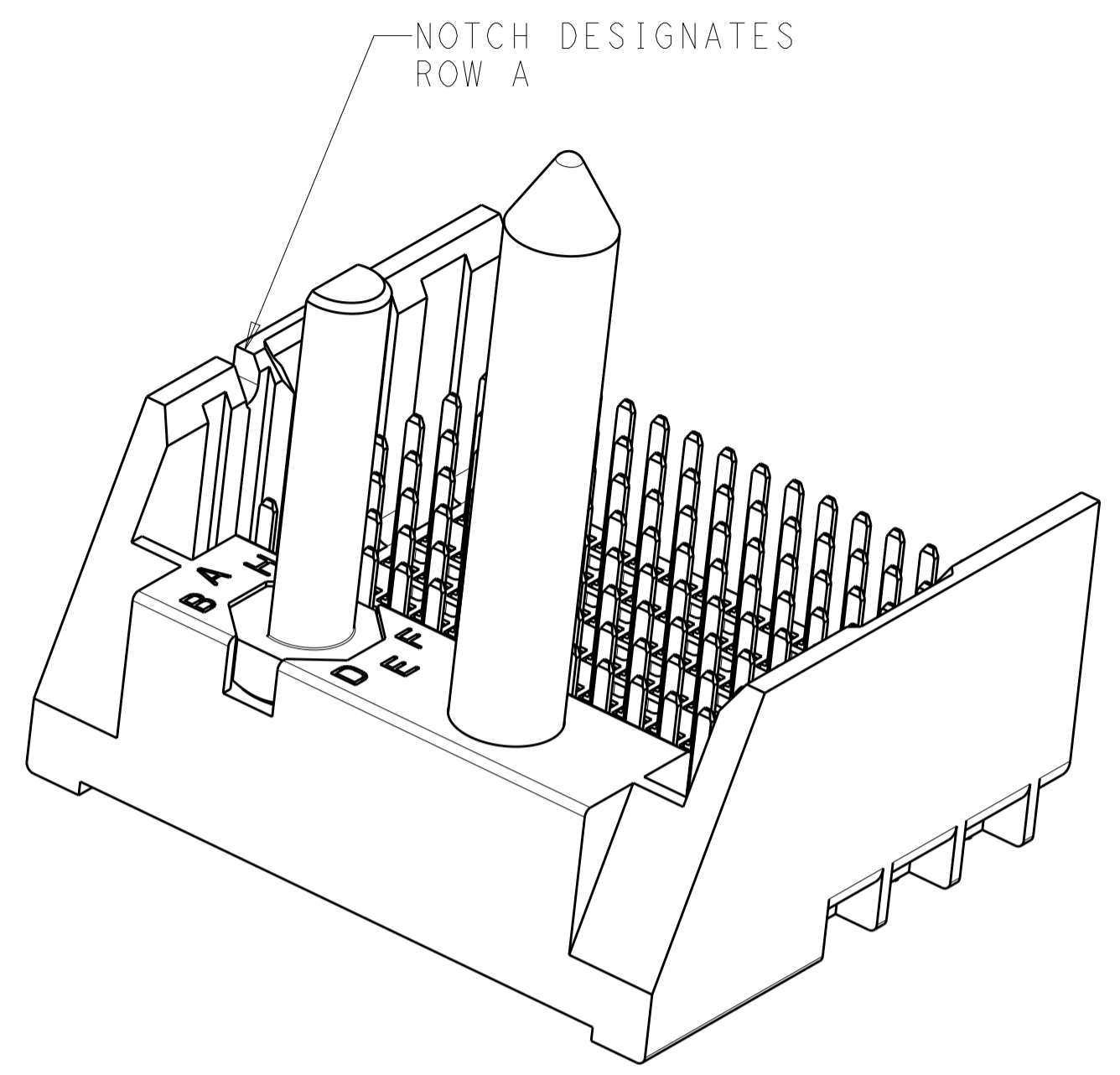
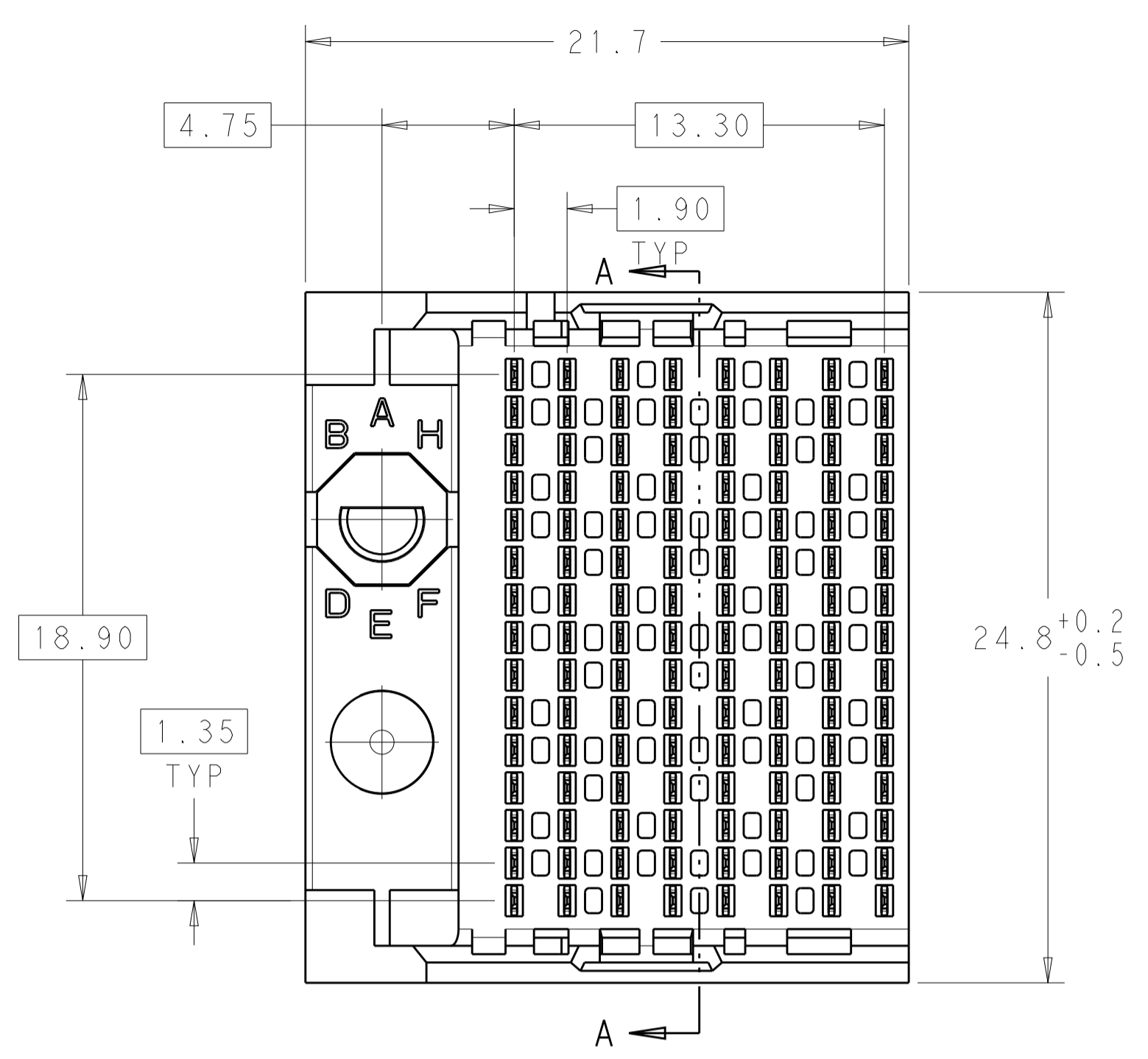
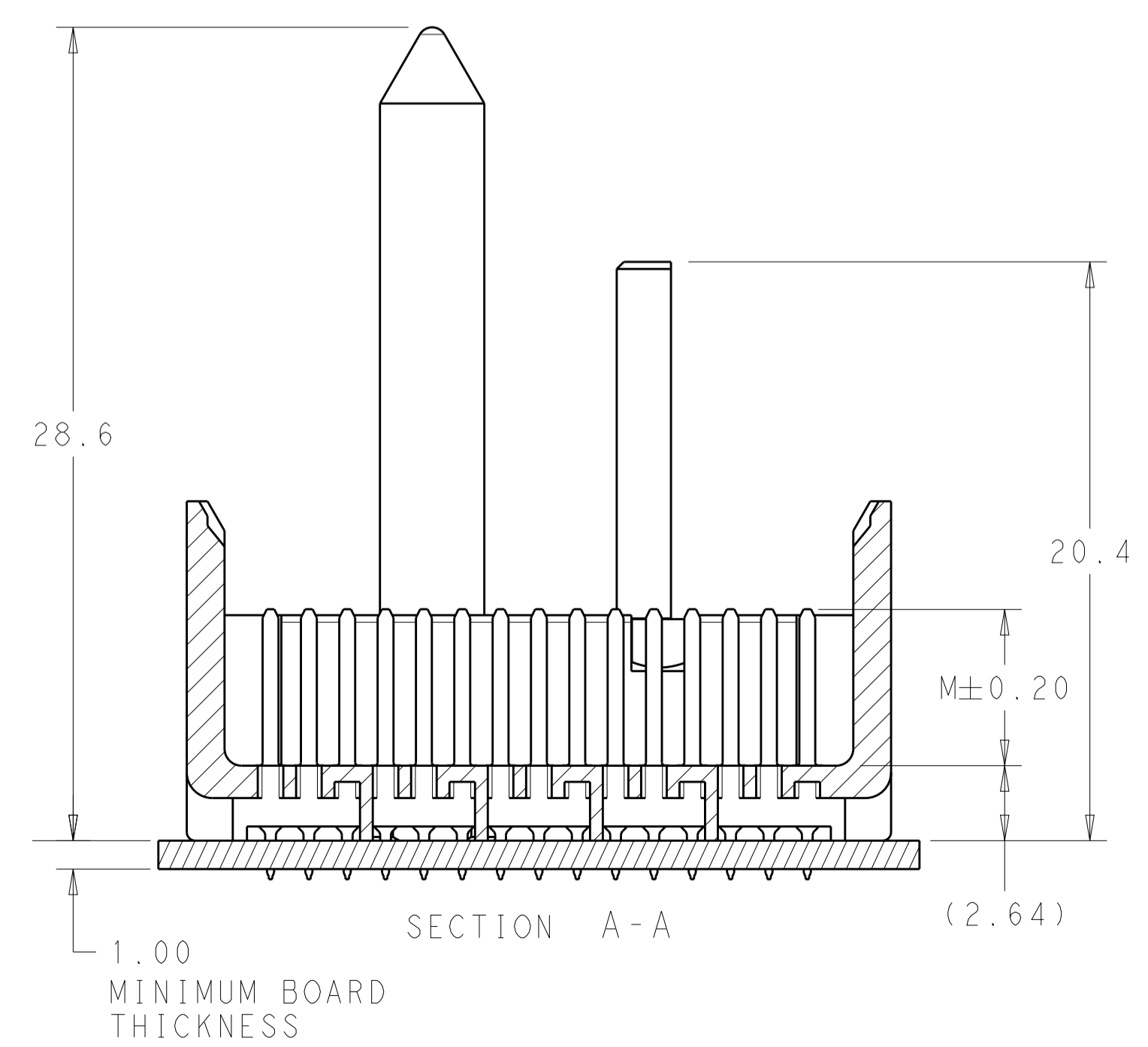
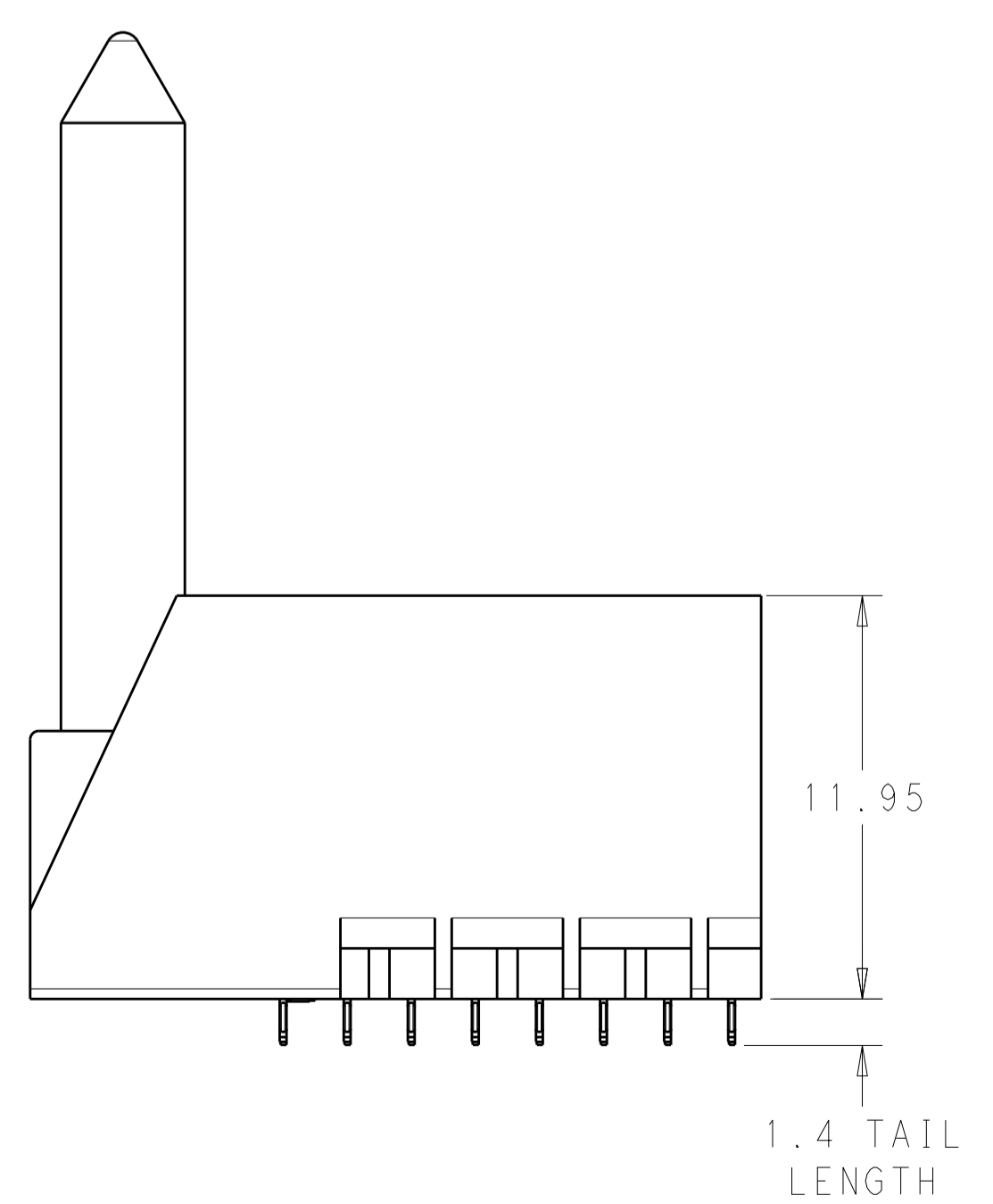
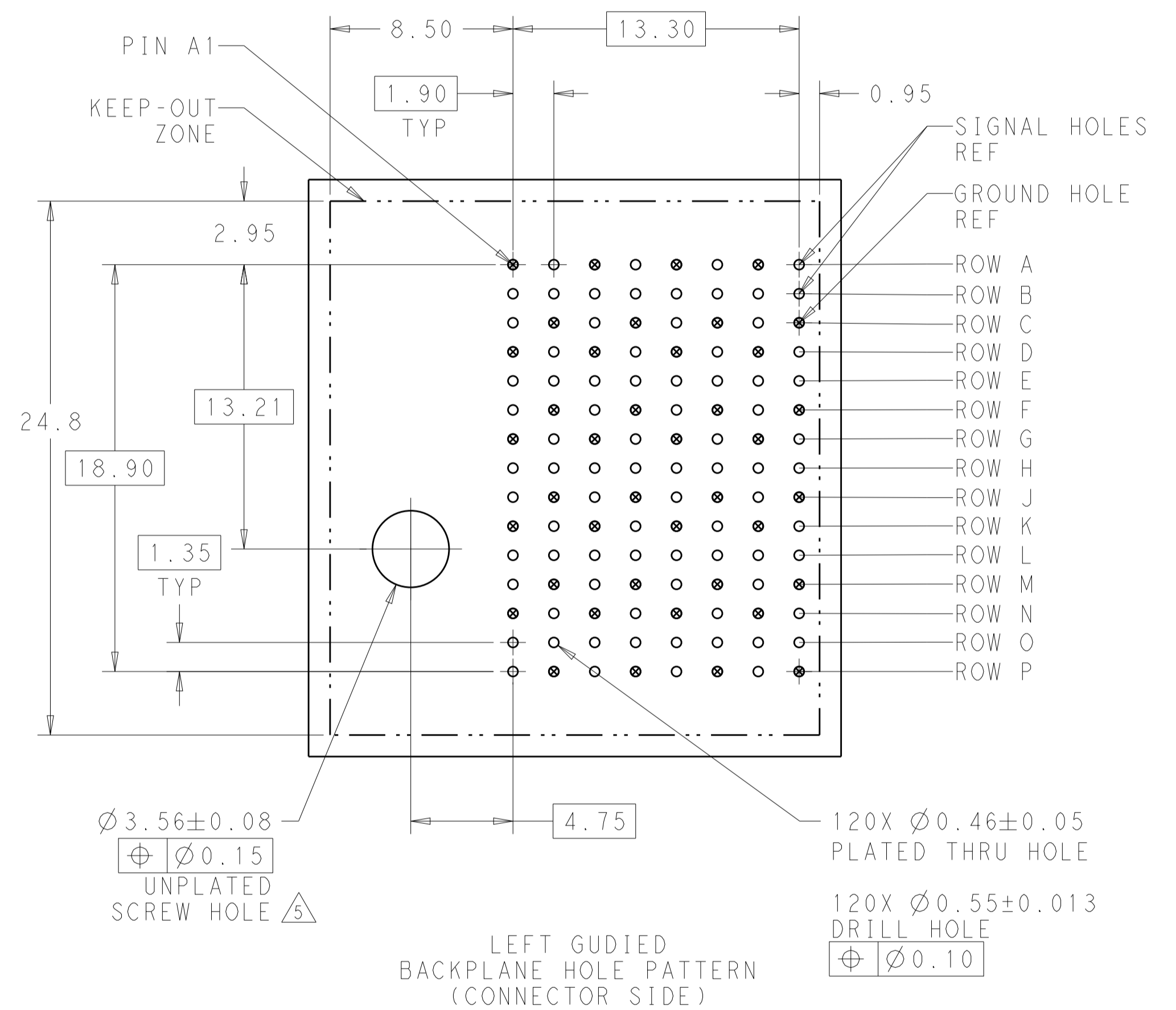


LOC	DIST	REVISIONS			
		REV	DATE	BY	APPV
AD	00	A	06JUN2011	RKC	JE



- ⚠ MATERIAL:  
HOUSING: LCP, GLASS FILLED, UL94V-0.  
TERMINALS: HIGH PERFORMANCE COPPER ALLOY.
- ⚠ FINISH:  
30μ" MIN GOLD IN CONTACT AREA. SELECTIVE TIN ON PCB TAILS, NICKEL OVERALL.
- ⚠ FINISH:  
30μ" MIN GOLD IN CONTACT AREA. SELECTIVE TIN-LEAD ON PCB TAILS, NICKEL OVERALL.
- 4. SCREWS PACKAGED IN END OF PACKAGING TUBE.
- ⚠ FOR GROUNDED GUIDE PIN USE Ø3.56±0.08 PTH, Ø3.66 DRILL, AND Ø6.5 PAD.
- 6. KEYING PIN SHOWN IN POSITION A, SEE KEYING CHART ON SHEET 2 FOR OTHER POSITIONS.

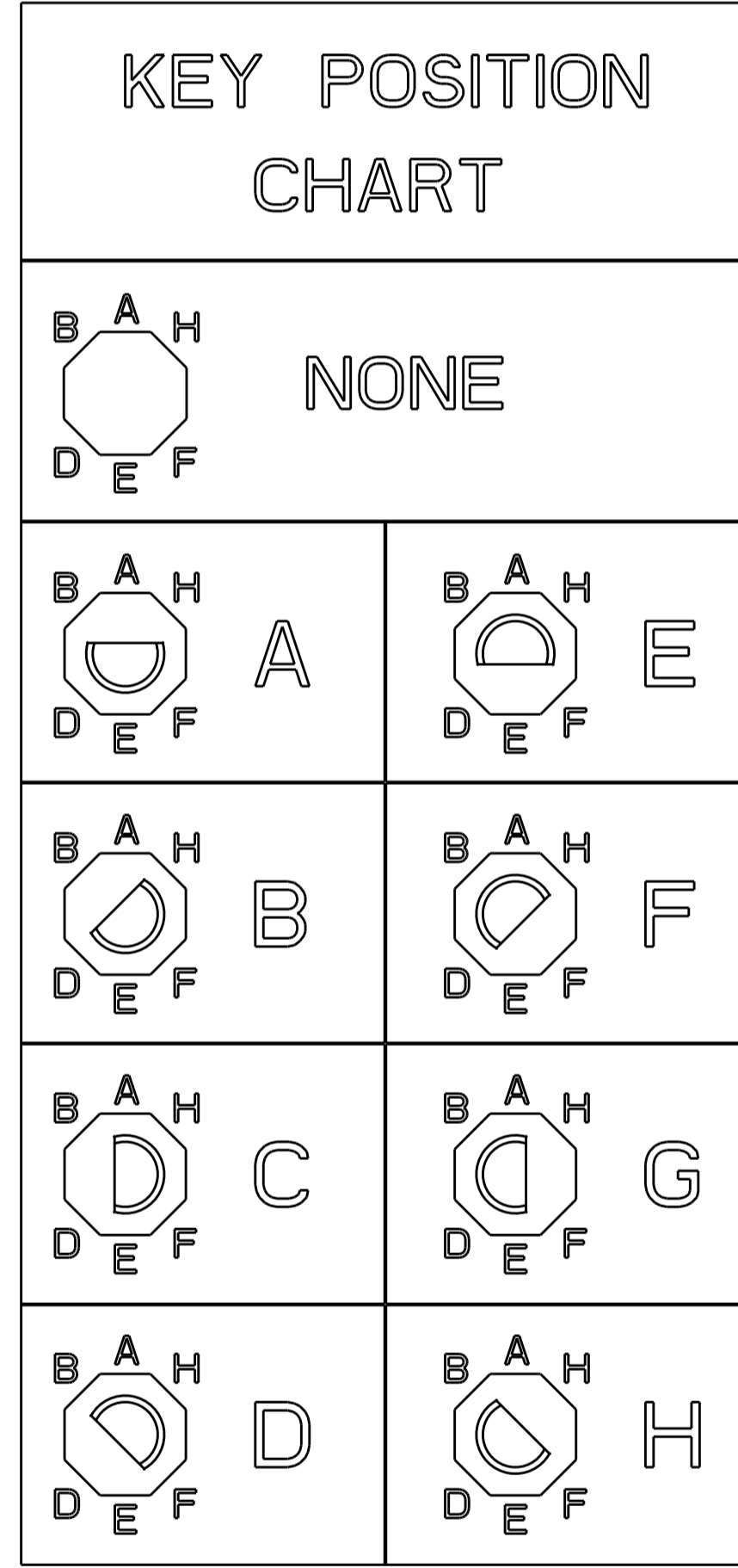


THIS DRAWING IS A CONTROLLED DOCUMENT.		DWN: R. COELLO 03JUN2011	 TE Connectivity
DIMENSIONS: mm		CHK: J. EARY 03JUN2011	
TOLERANCES UNLESS OTHERWISE SPECIFIED:		APPV: J. EARY 03JUN2011	
0 PLC ± 1 PLC ±0.25 2 PLC ±0.13 3 PLC ± 4 PLC ± ANGLES ± FINISH SEE TABLE		NAME: IMPACT, 5 PAIR, 8 COLUMN, HEADER LEFT GUIDED, OPEN END WALL SIGNAL MODULE, 0.46 PTH SIZE: A100779 CAGE CODE: C=2057768 DRAWING NO:	
MATERIAL: ⚠		WEIGHT: -	RESTRICTED TO: -
CUSTOMER DRAWING		SCALE: 5:1	SHEET 1 OF 2 REV A

THIS DRAWING IS UNPUBLISHED. RELEASED FOR PUBLICATION 20  
 © COPYRIGHT 20 BY - ALL RIGHTS RESERVED.

LOC		DIST		REVISIONS			
AD	00	P	LTN	DESCRIPTION	DATE	DWN	APVD
		-		SEE SHEET 1		-	-

3	H	5.5	8-2057768-6
3	H	4.9	8-2057768-5
3	H	4.5	8-2057768-4
2	H	5.5	8-2057768-3
2	H	4.9	8-2057768-2
2	H	4.5	8-2057768-1
3	G	5.5	7-2057768-6
3	G	4.9	7-2057768-5
3	G	4.5	7-2057768-4
2	G	5.5	7-2057768-3
2	G	4.9	7-2057768-2
2	G	4.5	7-2057768-1
3	F	5.5	6-2057768-6
3	F	4.9	6-2057768-5
3	F	4.5	6-2057768-4
2	F	5.5	6-2057768-3
2	F	4.9	6-2057768-2
2	F	4.5	6-2057768-1
3	E	5.5	5-2057768-6
3	E	4.9	5-2057768-5
3	E	4.5	5-2057768-4
2	E	5.5	5-2057768-3
2	E	4.9	5-2057768-2
2	E	4.5	5-2057768-1
3	D	5.5	4-2057768-6
3	D	4.9	4-2057768-5
3	D	4.5	4-2057768-4
2	D	5.5	4-2057768-3
2	D	4.9	4-2057768-2
2	D	4.5	4-2057768-1
3	C	5.5	3-2057768-6
3	C	4.9	3-2057768-5
3	C	4.5	3-2057768-4
2	C	5.5	3-2057768-3
2	C	4.9	3-2057768-2
2	C	4.5	3-2057768-1
3	B	5.5	2-2057768-6
3	B	4.9	2-2057768-5
3	B	4.5	2-2057768-4
2	B	5.5	2-2057768-3
2	B	4.9	2-2057768-2
2	B	4.5	2-2057768-1
3	A	5.5	1-2057768-6
3	A	4.9	1-2057768-5
3	A	4.5	1-2057768-4
2	A	5.5	1-2057768-3
2	A	4.9	1-2057768-2
2	A	4.5	1-2057768-1
3	-	5.5	2057768-6
3	-	4.9	2057768-5
3	-	4.5	2057768-4
2	-	5.5	2057768-3
2	-	4.9	2057768-2
2	-	4.5	2057768-1
FINISH	KEY POSITION	DIM M	PART NUMBER



REFER TO WWW.TE.COM  
FOR PRODUCT AVAILABILITY

THIS DRAWING IS A CONTROLLED DOCUMENT.		DWN R. COELLO 03JUN2011	<b>TE</b> Connectivity																																
DIMENSIONS: mm		CHK J. EARY 03JUN2011																																	
TOLERANCES UNLESS OTHERWISE SPECIFIED:		APVD J. EARY 03JUN2011																																	
<table border="1" style="font-size: 8px;"> <tr><td>0 PLC</td><td>±</td></tr> <tr><td>1 PLC</td><td>±0.25</td></tr> <tr><td>2 PLC</td><td>±0.13</td></tr> <tr><td>3 PLC</td><td>±</td></tr> <tr><td>4 PLC</td><td>±</td></tr> <tr><td>ANGLES</td><td>±</td></tr> <tr><td>FINISH</td><td>±</td></tr> </table>		0 PLC	±	1 PLC	±0.25	2 PLC	±0.13	3 PLC	±	4 PLC	±	ANGLES	±	FINISH	±	<table border="1" style="font-size: 8px;"> <tr><td>PRODUCT SPEC</td><td></td></tr> <tr><td>APPLICATION SPEC</td><td></td></tr> <tr><td>WEIGHT</td><td></td></tr> <tr><td>CUSTOMER DRAWING</td><td></td></tr> </table>	PRODUCT SPEC		APPLICATION SPEC		WEIGHT		CUSTOMER DRAWING		<table border="1" style="font-size: 8px;"> <tr><td>NAME</td><td>IMPACT, 5 PAIR, 8 COLUMN, HEADER LEFT GUIDED, OPEN END WALL SIGNAL MODULE, 0.46 PTH</td></tr> <tr><td>SIZE</td><td>A100779</td></tr> <tr><td>CAGE CODE</td><td>2057768</td></tr> <tr><td>DRAWING NO</td><td>2057768</td></tr> <tr><td>RESTRICTED TO</td><td></td></tr> </table>	NAME	IMPACT, 5 PAIR, 8 COLUMN, HEADER LEFT GUIDED, OPEN END WALL SIGNAL MODULE, 0.46 PTH	SIZE	A100779	CAGE CODE	2057768	DRAWING NO	2057768	RESTRICTED TO	
0 PLC	±																																		
1 PLC	±0.25																																		
2 PLC	±0.13																																		
3 PLC	±																																		
4 PLC	±																																		
ANGLES	±																																		
FINISH	±																																		
PRODUCT SPEC																																			
APPLICATION SPEC																																			
WEIGHT																																			
CUSTOMER DRAWING																																			
NAME	IMPACT, 5 PAIR, 8 COLUMN, HEADER LEFT GUIDED, OPEN END WALL SIGNAL MODULE, 0.46 PTH																																		
SIZE	A100779																																		
CAGE CODE	2057768																																		
DRAWING NO	2057768																																		
RESTRICTED TO																																			
MATERIAL: -		SCALE 5:1	SHEET 2 OF 2																																
SEE TABLE		REV A																																	