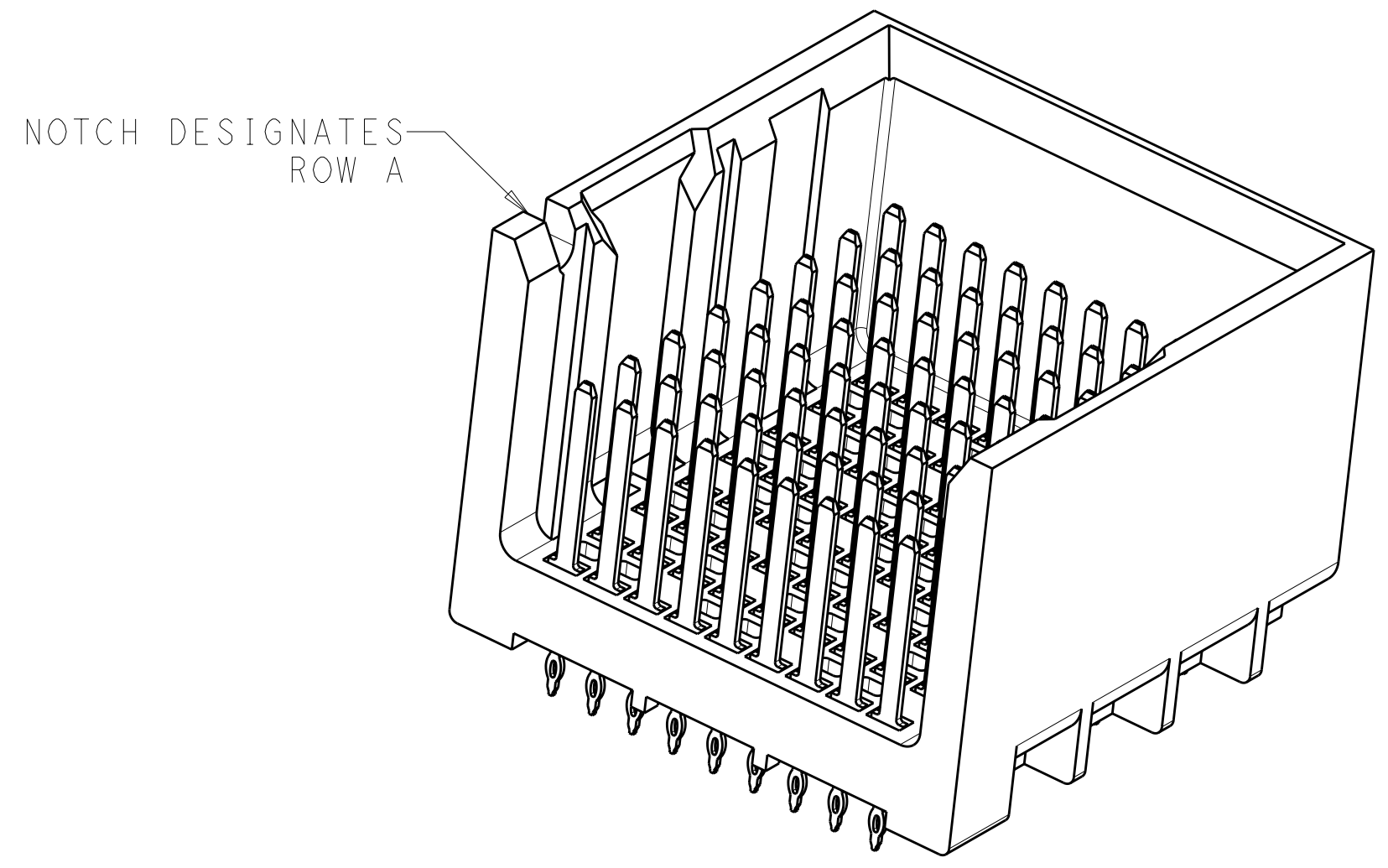
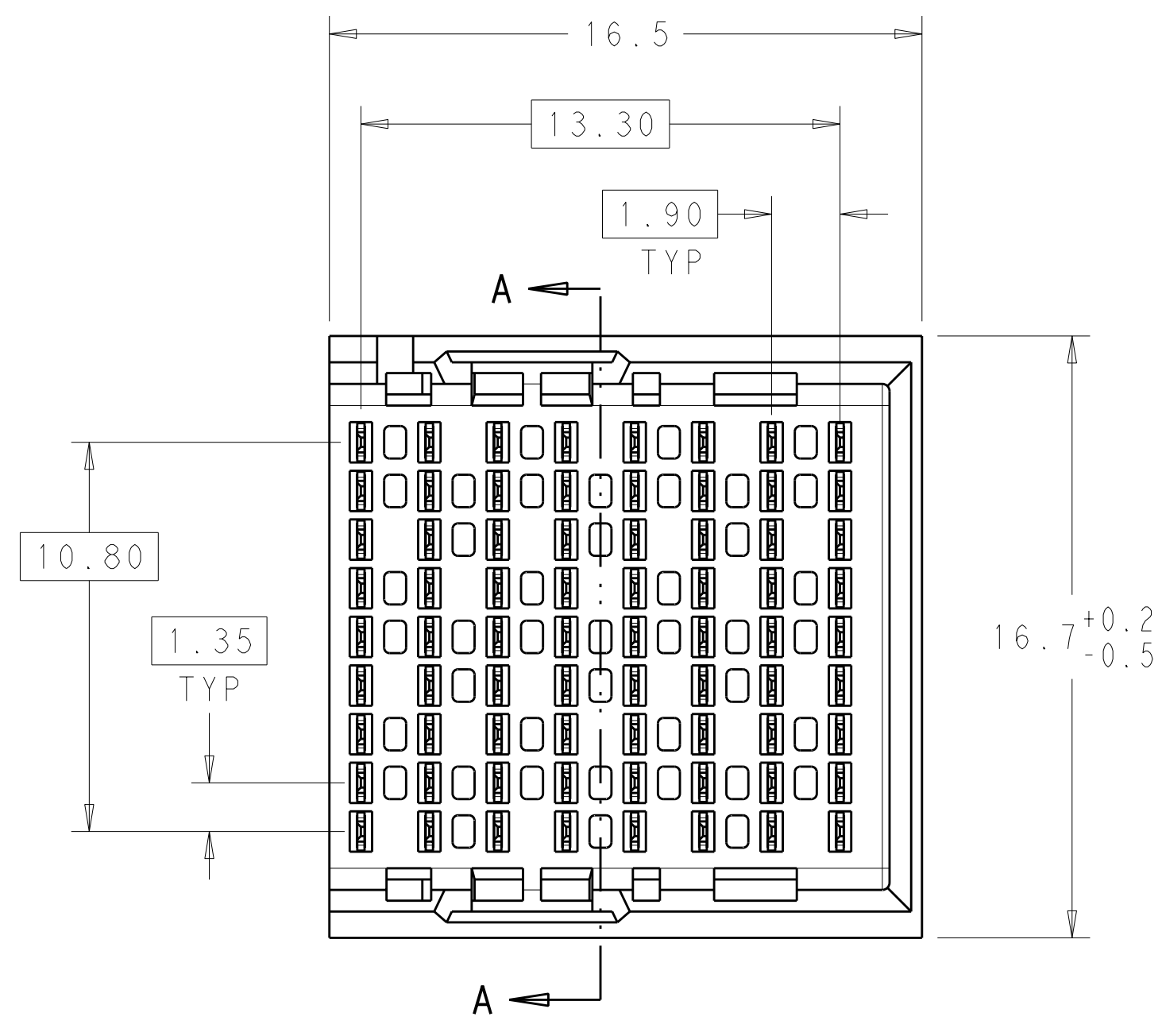
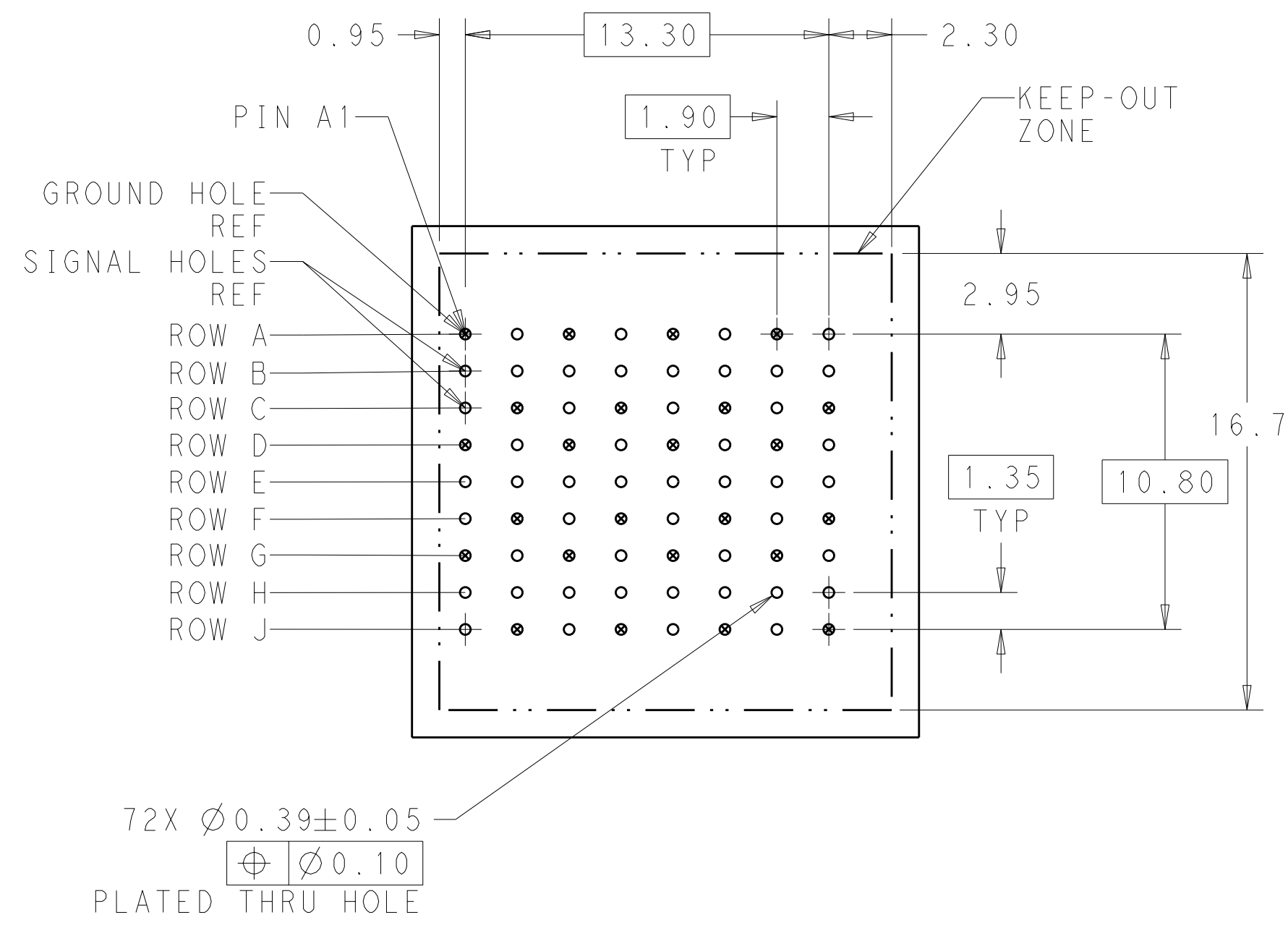


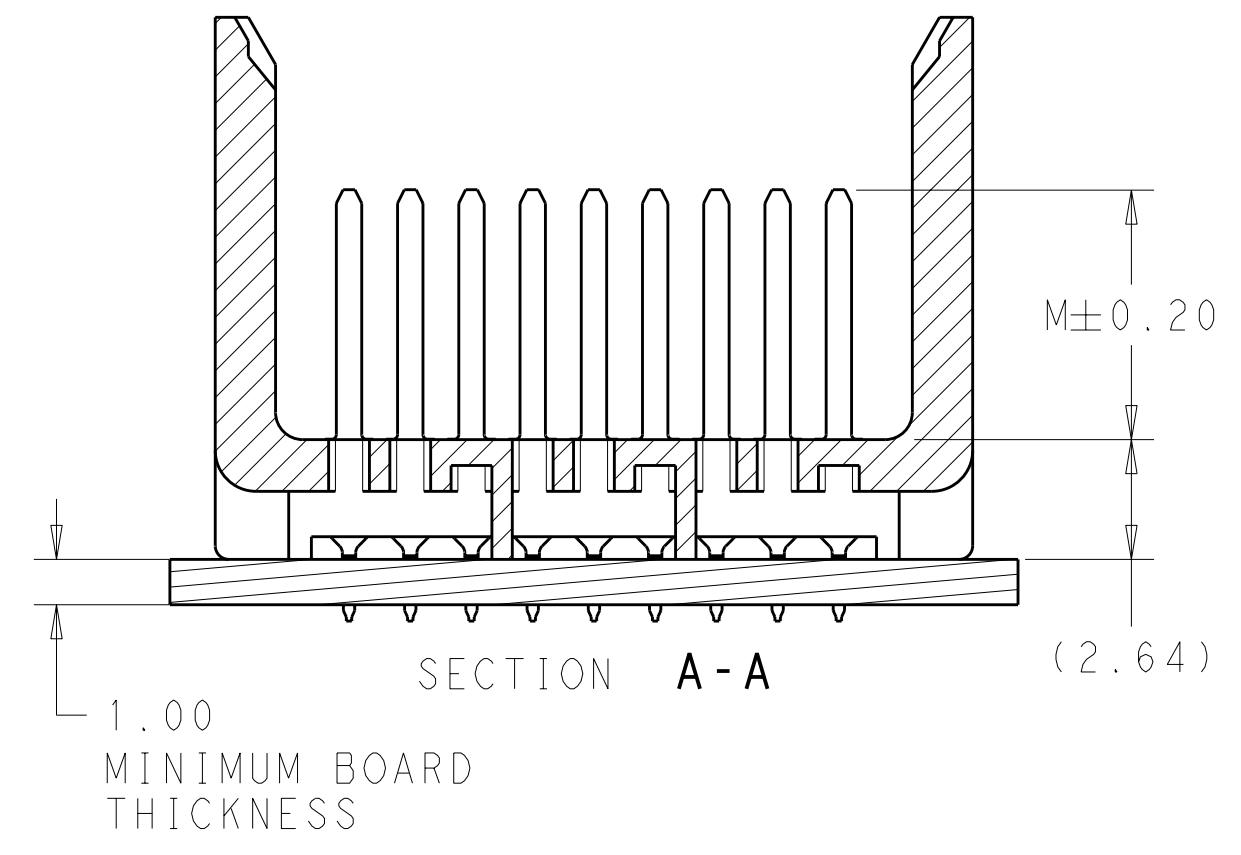
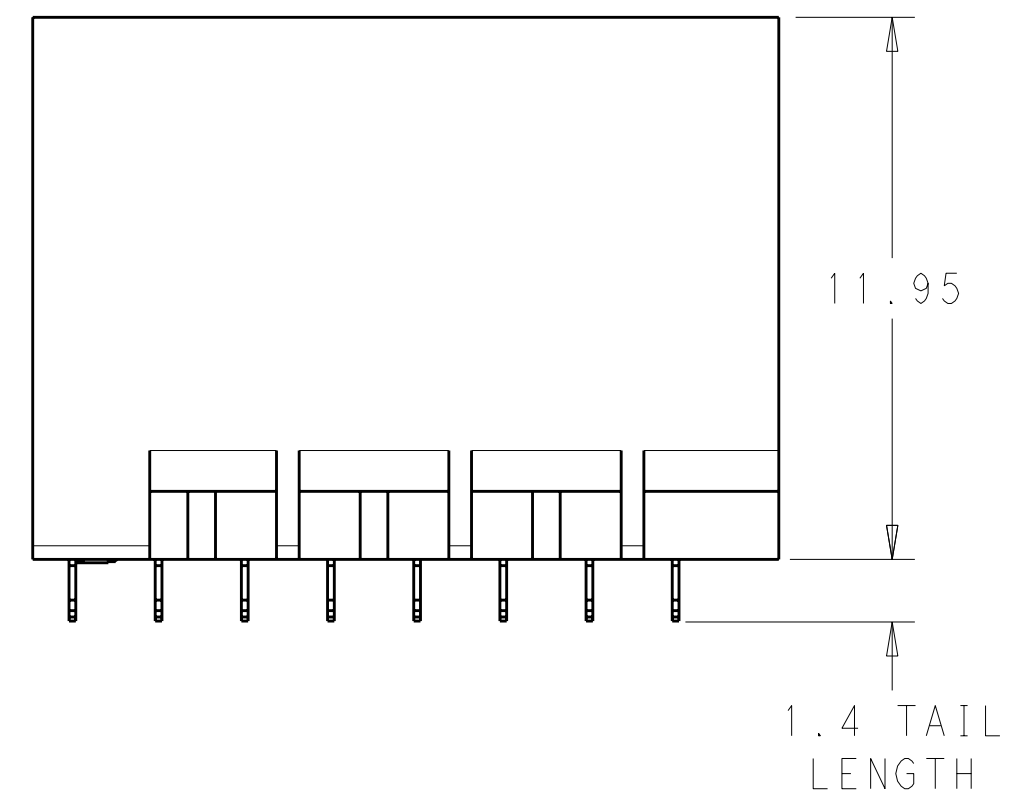
LOC	DIST	REV	DATE	DWN	APVD
AD	00	C	05JAN2012	KH	DY
		REVISIONS			
		DESCRIPTION	DATE	DWN	APVD
		REVISD PER ECO-11-025276	05JAN2012	KH	DY



- 1 MATERIAL:
HOUSING: LCP, GLASS FILLED, UL94V-0.
TERMINALS: HIGH PERFORMANCE COPPER ALLOY.
- 2 FINISH:
30μ" MIN GOLD IN CONTACT AREA. SELECTIVE TIN
ON PCB TAILS, NICKEL OVERALL.
- 3 FINISH:
30μ" MIN GOLD IN CONTACT AREA. SELECTIVE TIN-LEAD
ON PCB TAILS, NICKEL OVERALL.



UNGUIDED
 BACKPLANE HOLE PATTERN
 (CONNECTOR SIDE)



THIS DRAWING IS A CONTROLLED DOCUMENT.		DWN	J. K. SHOBER	11JAN2011
DIMENSIONS:		CHK	J. EARY	11JAN2011
mm	TOLERANCES UNLESS OTHERWISE SPECIFIED:	APVD	J. EARY	11JAN2011
Ø	0 PLC ±	PRODUCT SPEC	NAME	
∠	1 PLC ±0.25	APPLICATION SPEC	IMPACT, 3 PAIR, 8 COLUMN, HEADER	
	2 PLC ±0.13		UNGUIDED, RIGHT END WALL	
	3 PLC ±		SIGNAL MODULE, 0.39 PTH	
	4 PLC ±		SIZE	CAGE CODE
	ANGLES ±	WEIGHT	A100779	C=2057767
MATERIAL	FINISH	CUSTOMER DRAWING	SCALE	SHEET
SEE TABLE	SEE TABLE		6:1	1 OF 2

THIS DRAWING IS UNPUBLISHED. RELEASED FOR PUBLICATION 20
 © COPYRIGHT 20 . . . ALL RIGHTS RESERVED.

LOC	DIST	REVISIONS				
AD	00	P	LTG	DATE	DWN	APVD
		-	-	SEE SHEET 1	-	-

	5.5	2057767-6
	4.9	2057767-5
	4.5	2057767-4
	5.5	2057767-3
	4.9	2057767-2
	4.5	2057767-1
FINISH	DIM M	PART NUMBER

REFER TO WWW.TE.COM
FOR PRODUCT AVAILABILITY

THIS DRAWING IS A CONTROLLED DOCUMENT.		DWN J. K. SHOBER 11JAN2011		TE Connectivity	
DIMENSIONS: mm		CHK J. EABY 11JAN2011		NAME IMPACT, 3 PAIR, 8 COLUMN, HEADER UNGUIDED, RIGHT END WALL SIGNAL MODULE, 0.39 PTH	
TOLERANCES UNLESS OTHERWISE SPECIFIED: 9 PLC ± 7 PLC ±0.25 5 PLC ±0.13 4 PLC ± ANGLES ±		APVD J. EABY 11JAN2011	PRODUCT SPEC		
		APPLICATION SPEC		RESTRICTED TO	
MATERIAL -		WEIGHT -		SIZE CAGE CODE DRAWING NO A100779C=2057767	
FINISH SEE TABLE		CUSTOMER DRAWING		SCALE 5:1 SHEET 2 OF 2 REV C	