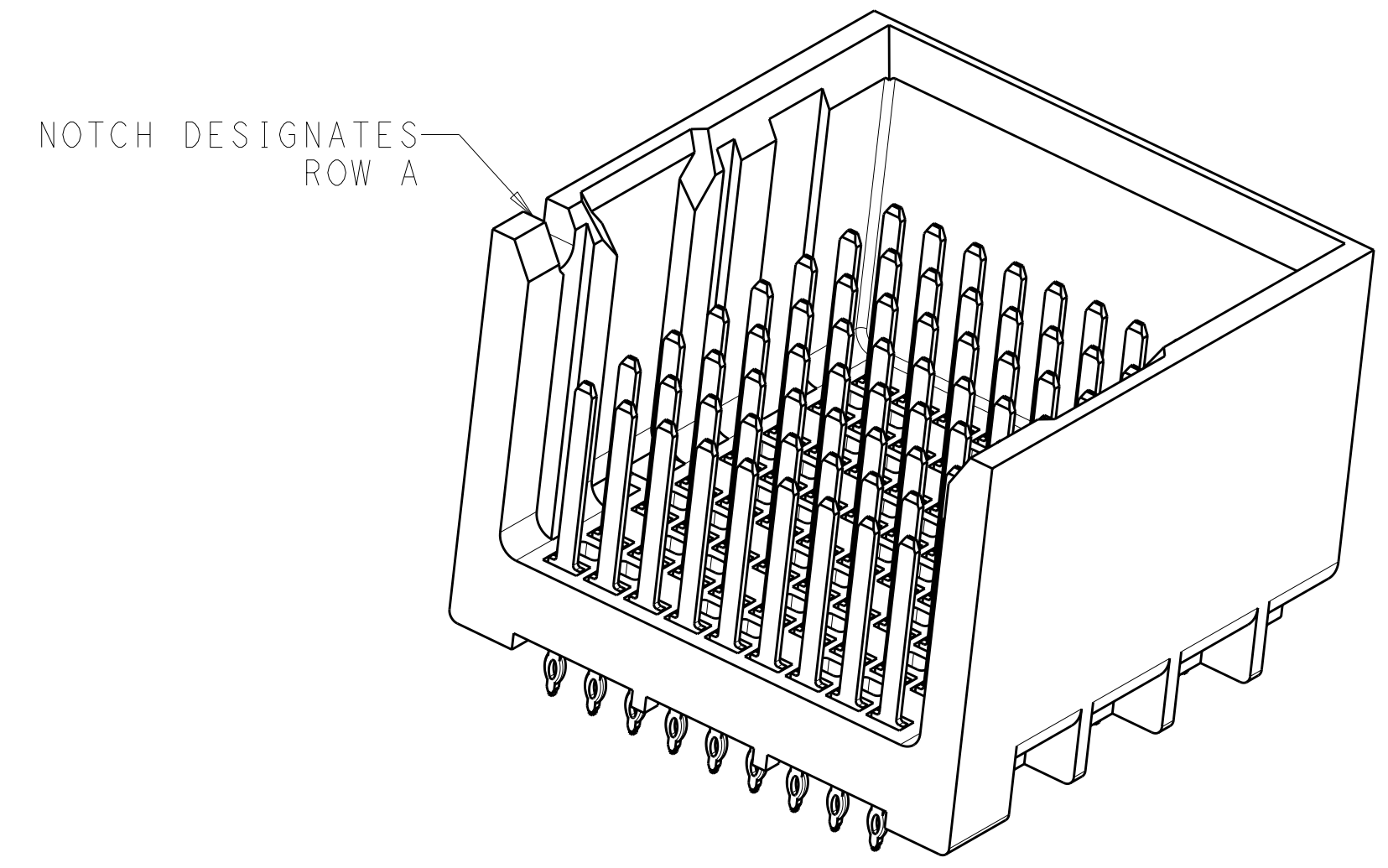
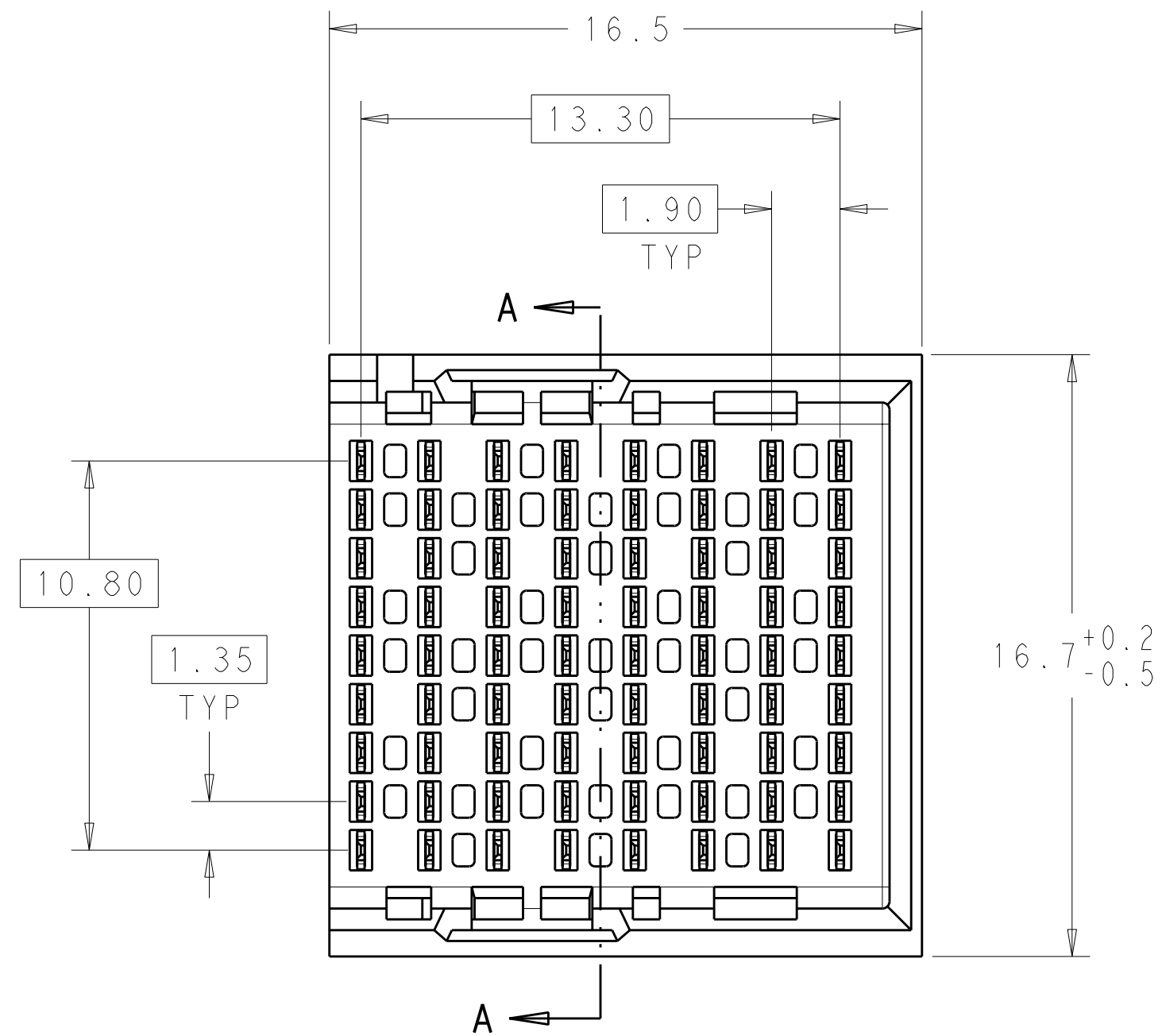
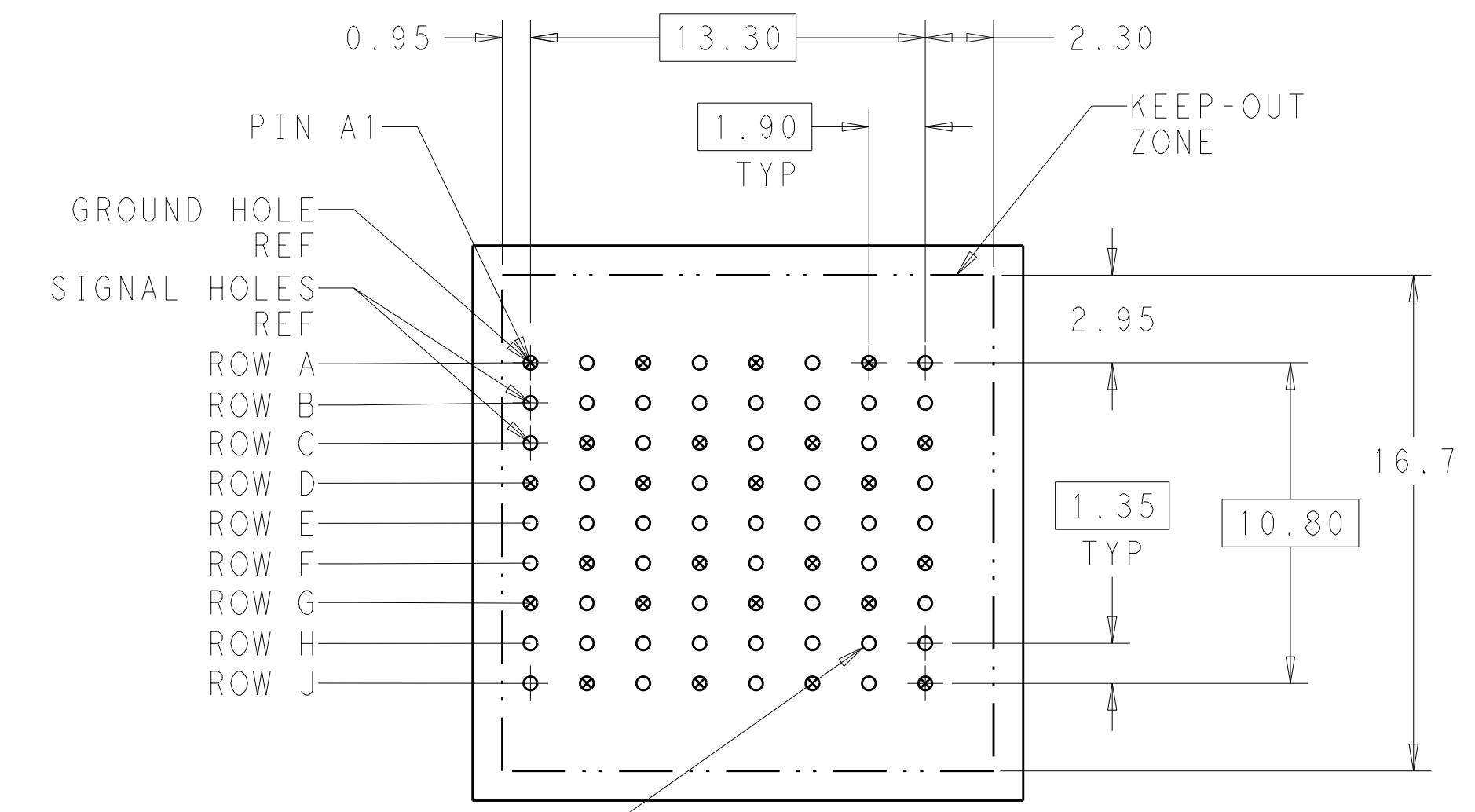


LOC	DIST	REV	DATE	DWN	APVD
AD	00	C	05JAN11	KH	DY
		REVISIONS			
		DESCRIPTION	DATE	DWN	APVD
		REVISD PER ECO-11-025276	05JAN11	KH	DY

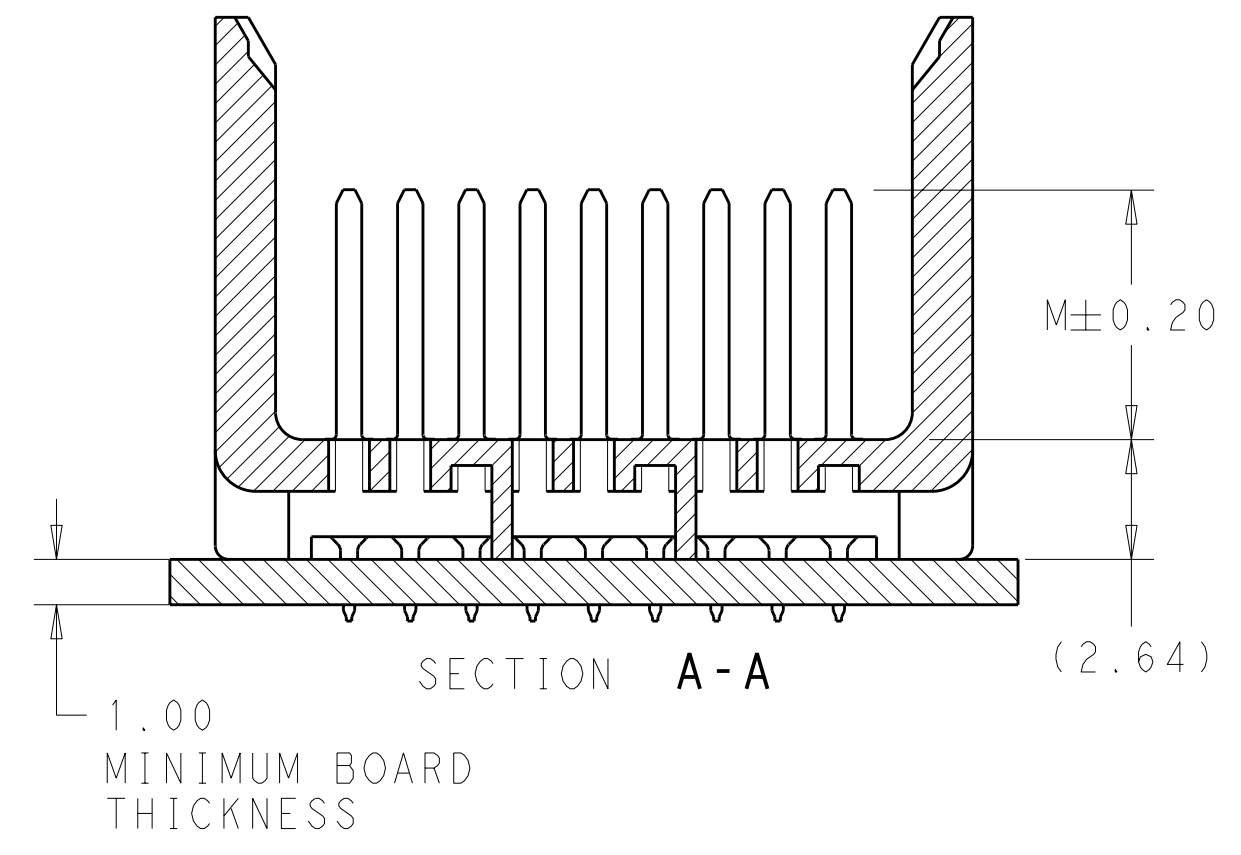
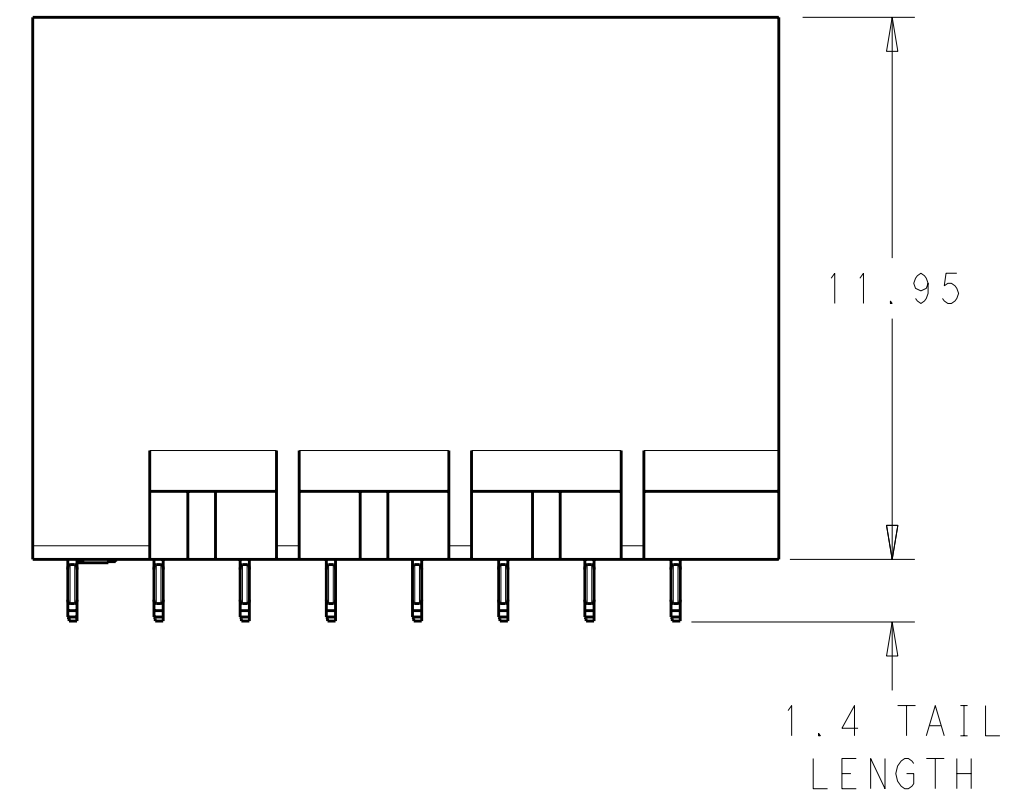


- 1 MATERIAL:  
HOUSING: LCP, GLASS FILLED, UL94V-0.  
TERMINALS: HIGH PERFORMANCE COPPER ALLOY.
- 2 FINISH:  
30μ" MIN GOLD IN CONTACT AREA. SELECTIVE TIN ON PCB TAILS, NICKEL OVERALL.
- 3 FINISH:  
30μ" MIN GOLD IN CONTACT AREA. SELECTIVE TIN-LEAD ON PCB TAILS, NICKEL OVERALL.



72X  $\varnothing 0.46 \pm 0.05$   
 $\varnothing 0.10$   
 PLATED THRU HOLE

UNGUIDED  
 BACKPLANE HOLE PATTERN  
 (CONNECTOR SIDE)



THIS DRAWING IS A CONTROLLED DOCUMENT.		DWN	J. K. SHOBER	11JAN2011
DIMENSIONS:		CHK	J. EBY	11JAN2011
mm	TOLERANCES UNLESS OTHERWISE SPECIFIED:	APVD	J. EBY	11JAN2011
$\varnothing$	0 PLC ±	PRODUCT SPEC	NAME	
$\varnothing$	1 PLC ±0.25	APPLICATION SPEC	IMPACT, 3 PAIR, 8 COLUMN, HEADER	
$\varnothing$	2 PLC ±0.13	SIZE	CAGE CODE	DRAWING NO
$\varnothing$	3 PLC ±	RESTRICTED TO	A100779	C=2057763
$\varnothing$	4 PLC ±	WEIGHT	CUSTOMER DRAWING	
$\varnothing$	ANGLES ±	SCALE	6:1	SHEET 1 OF 2
MATERIAL	FINISH	REV	C	
SEE TABLE				

THIS DRAWING IS UNPUBLISHED. RELEASED FOR PUBLICATION 20  
 © COPYRIGHT 20 . . . ALL RIGHTS RESERVED.

LOC	DIST	REVISIONS				
AD	00	P	LTG	DATE	DWN	APVD
		-	-	SEE SHEET 1	-	-

FINISH	DIM M	PART NUMBER
$\triangle_3$	5.5	2057763-6
$\triangle_3$	4.9	2057763-5
$\triangle_3$	4.5	2057763-4
$\triangle_2$	5.5	2057763-3
$\triangle_2$	4.9	2057763-2
$\triangle_2$	4.5	2057763-1

REFER TO WWW.TE.COM  
FOR PRODUCT AVAILABILITY

THIS DRAWING IS A CONTROLLED DOCUMENT.		DWN J. K. SHOBER 11JAN2011	
DIMENSIONS: mm		CHK J. EABY 11JAN2011	
TOLERANCES UNLESS OTHERWISE SPECIFIED: 9 PLC ± 7 PLC ±0.25 5 PLC ±0.13 4 PLC ± ANGLES ± FINISH SEE TABLE		APVD J. EABY 11JAN2011	NAME IMPACT, 3 PAIR, 8 COLUMN, HEADER UNGUIDED, RIGHT END WALL SIGNAL MODULE, 0.46 PTH
MATERIAL -	SEE TABLE	PRODUCT SPEC -	APPLICATION SPEC -
CUSTOMER DRAWING		WEIGHT -	RESTRICTED TO -
SCALE 5:1		SIZE CAGE CODE DRAWING NO A100779C=2057763	SHEET 2 OF 2 REV C