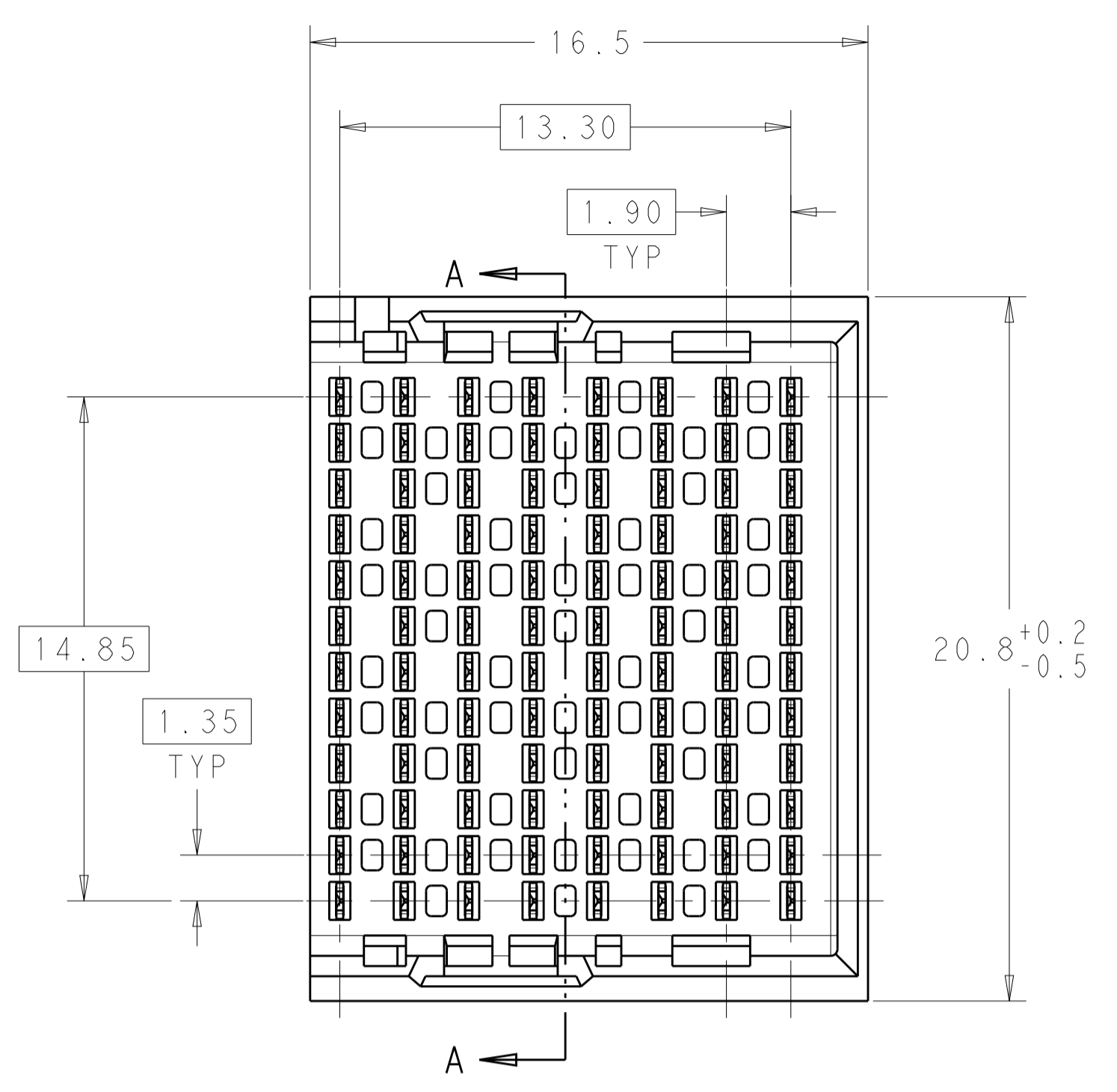
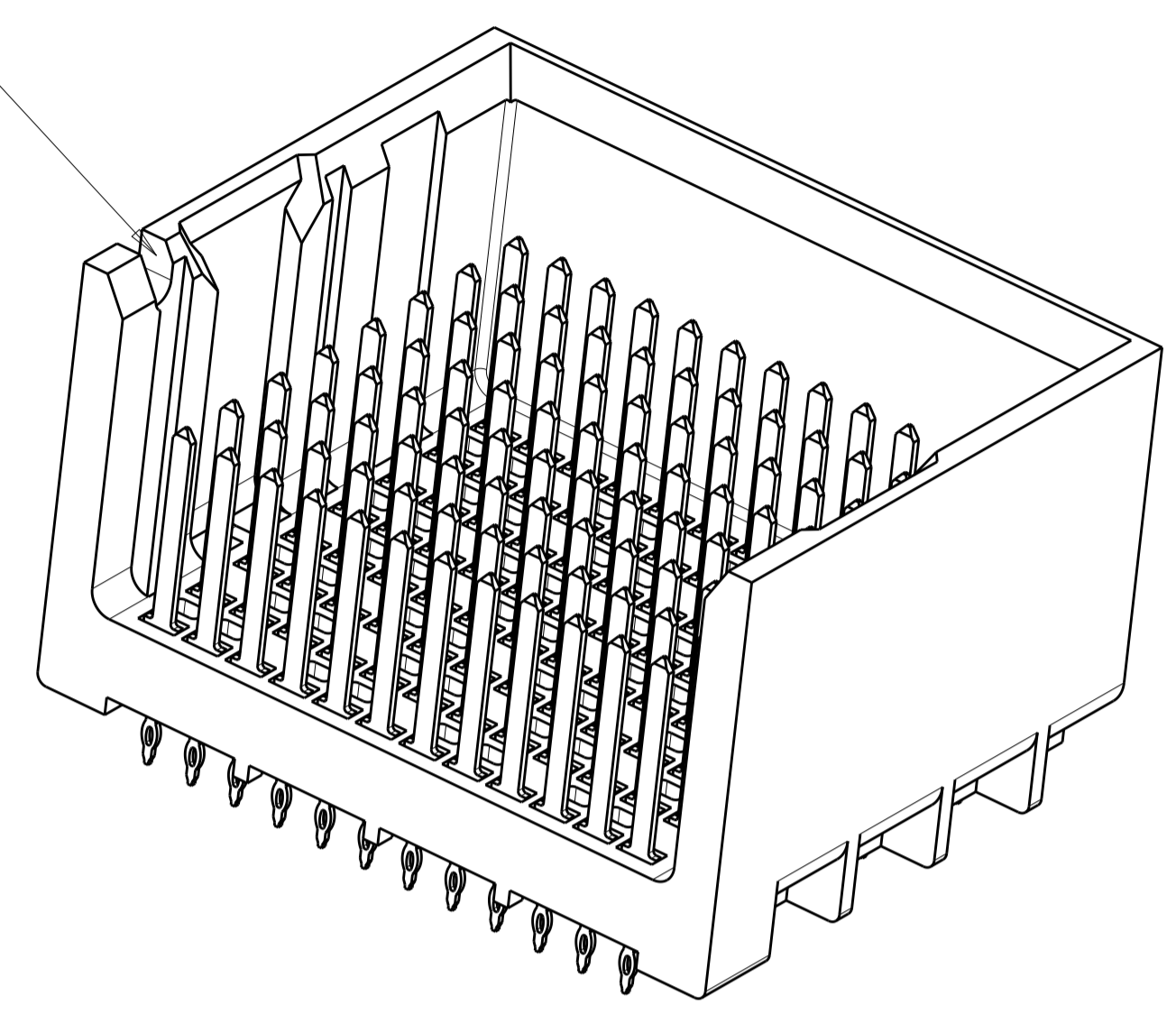


LOC	DIST	REVISIONS			
P	LTN	DESCRIPTION	DATE	DWN	APVD
A1		REVISED PER ECO-15-003239	24MAR2015	AP	DD

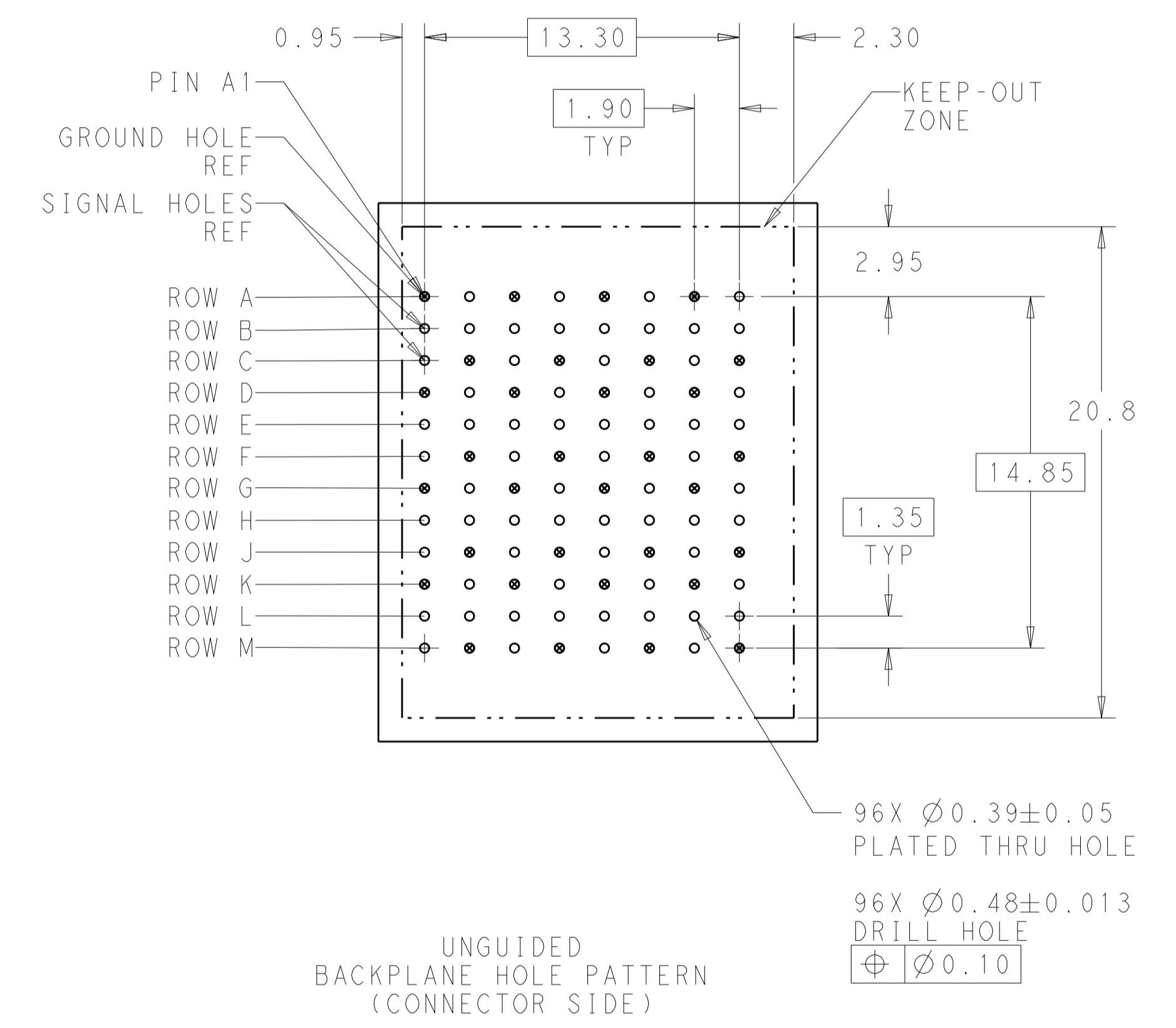


NOTCH DESIGNATES ROW A

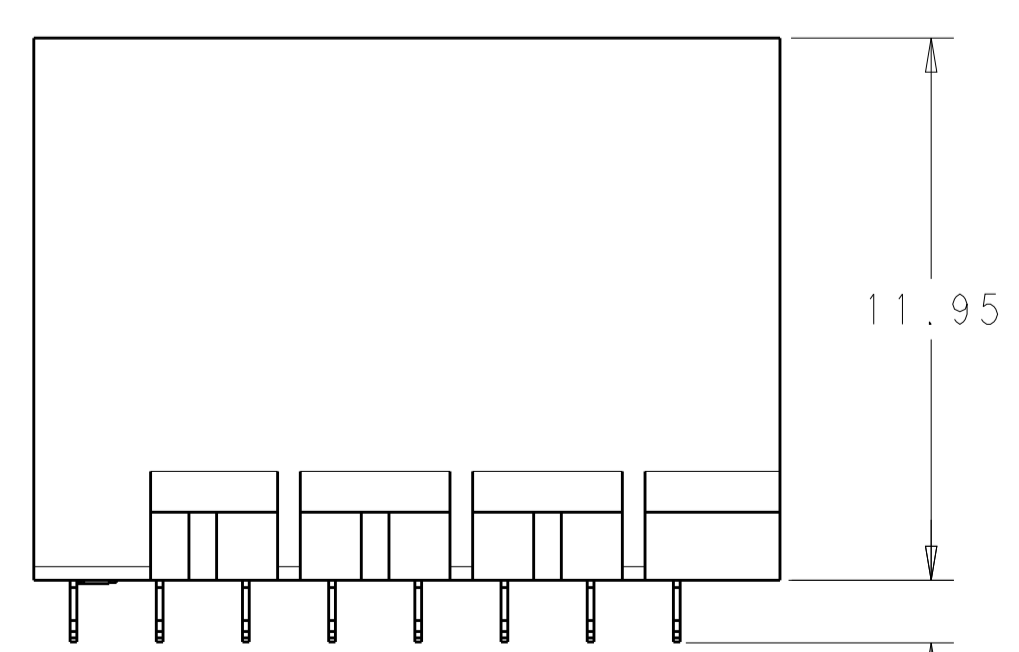


⚠ MATERIAL:  
HOUSING: LCP, GLASS FILLED, UL94V-0.  
TERMINALS: HIGH PERFORMANCE COPPER ALLOY.

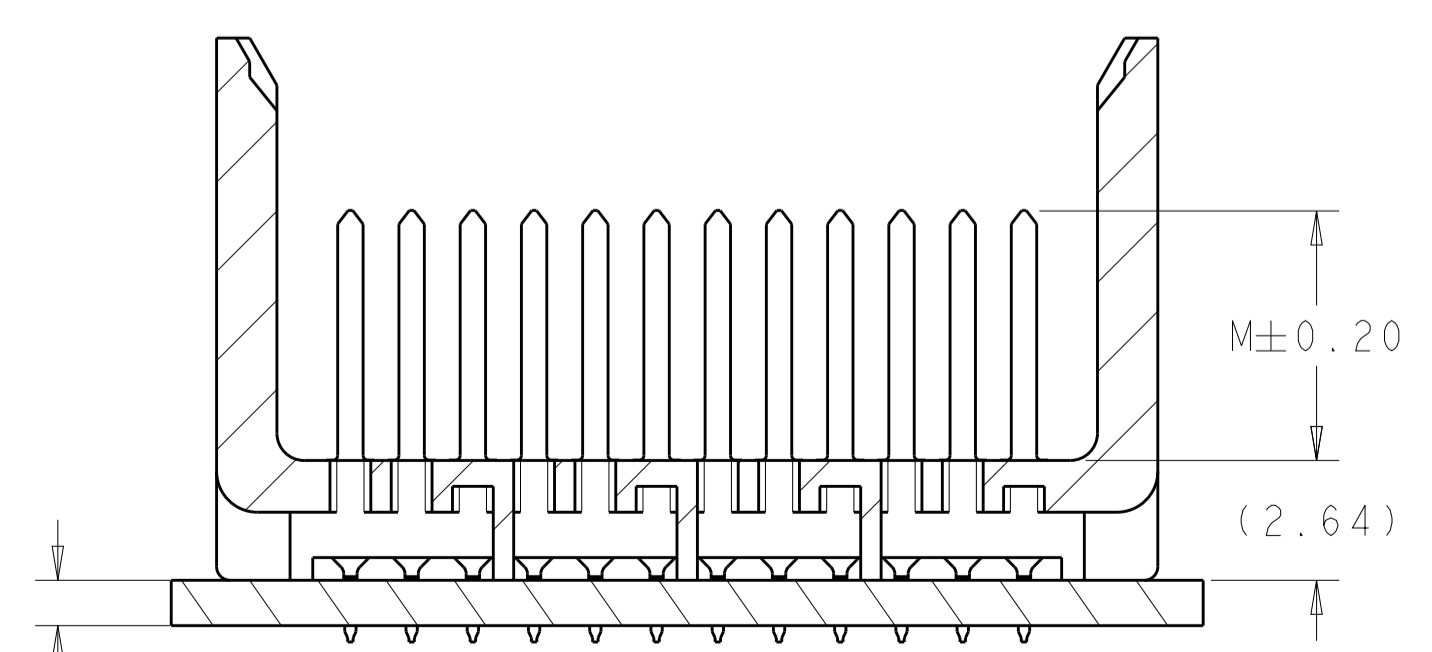
⚠ FINISH:  
30μ" MIN GOLD IN CONTACT AREA. SELECTIVE TIN ON PCB TAILS, NICKEL OVERALL.



UNGUIDED BACKPLANE HOLE PATTERN (CONNECTOR SIDE)



1.4 TAIL LENGTH



1.00 MINIMUM BOARD THICKNESS

SECTION A-A

THIS DRAWING IS A CONTROLLED DOCUMENT.		DWN: KIRAN HOLAL 02JAN2014	TE Connectivity
DIMENSIONS: mm		CHK: D. DIXON 02JAN2014	
TOLERANCES UNLESS OTHERWISE SPECIFIED:		APVD: D. DIXON 02JAN2014	NAME: IMPACT, 4 PAIR, 8 COLUMN, HEADER UNGUIDED, RIGHT END WALL SIGNAL MODULE, 0.39 PTH
0 PLC ±	1 PLC ±0.25	PRODUCT SPEC	SIZE: CAGE CODE DRAWING NO. RESTRICTED TO
2 PLC ±0.13	3 PLC ±	APPLICATION SPEC	A100779C=2057449
4 PLC ±	ANGLES ±	WEIGHT	Customer Drawing
MATERIAL: SEE TABLE		SCALE: 6:1	SHEET 1 OF 2 REV: A1

THIS DRAWING IS UNPUBLISHED.	RELEASED FOR PUBLICATION	20
© COPYRIGHT 20	BY -	ALL RIGHTS RESERVED.

LOC	DIST	REVISIONS					
		P	LTN	DESCRIPTION	DATE	DWN	APVD
AD	00	-	-	SEE SHEET 1	-	-	-

	5.5	2057449-3
	4.9	2057449-2
	4.5	2057449-1
FINISH	DIM M	PART NUMBER

REFER TO WWW.TE.COM  
FOR PRODUCT AVAILABILITY

THIS DRAWING IS A CONTROLLED DOCUMENT.		DWN KIRAN HOLAL 02JAN2014	
		CHK D. DIXON 02JAN2014	
DIMENSIONS:		APVD D. DIXON 02JAN2014	NAME IMPACT, 4 PAIR, 8 COLUMN, HEADER UNGUIDED, RIGHT END WALL SIGNAL MODULE, 0.39 PTH
mm		PRODUCT SPEC	
TOLERANCES UNLESS OTHERWISE SPECIFIED:		APPLICATION SPEC	SIZE A100779
0 PLC ±		RESTRICTED TO	
1 PLC ±0.25		WEIGHT	SCALE 5:1 SHEET 2 OF 2 REV A1
2 PLC ±0.13		Customer Drawing	
3 PLC ±			
4 PLC ±			
ANGLES			
FINISH SEE TABLE			