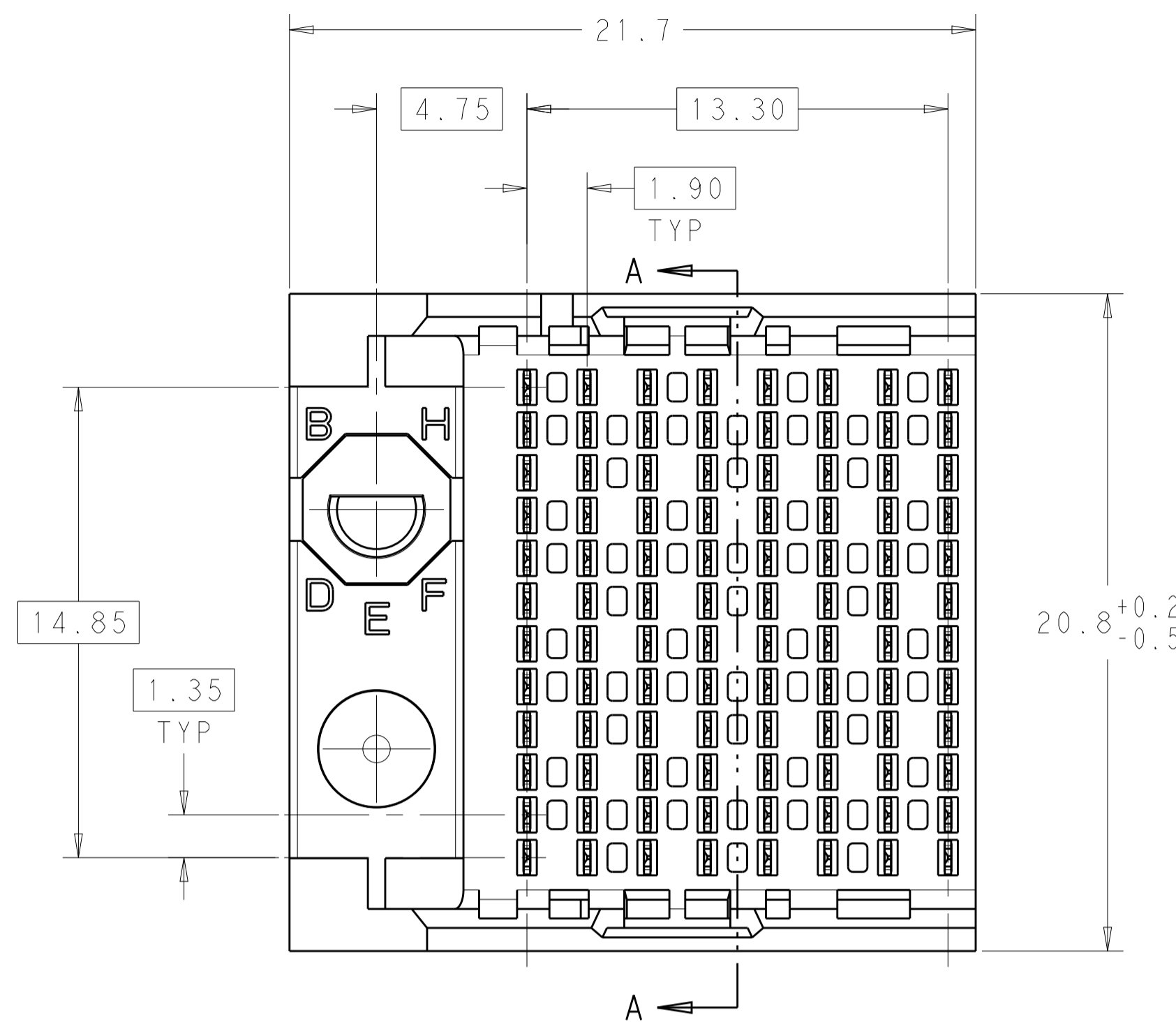
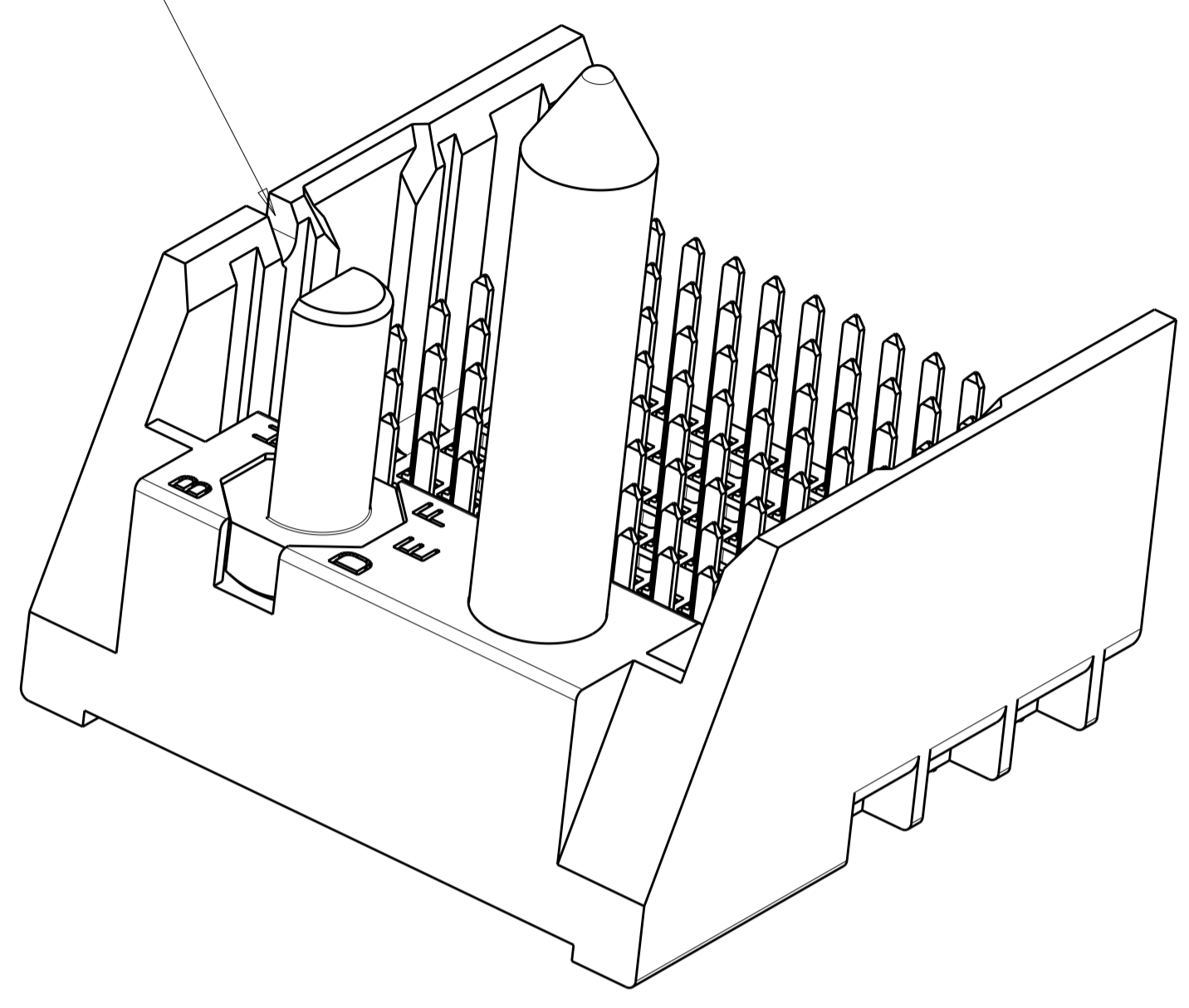


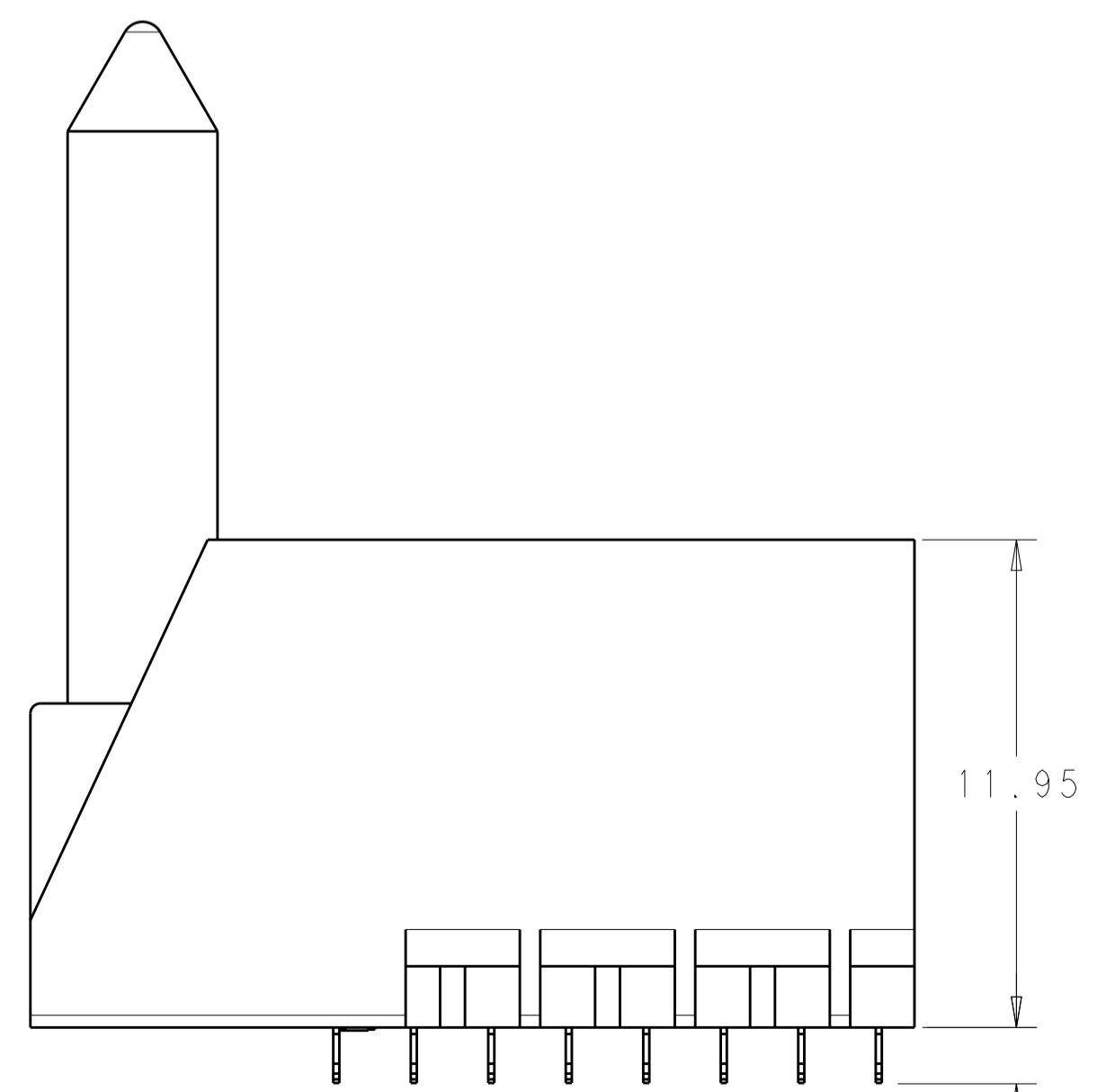
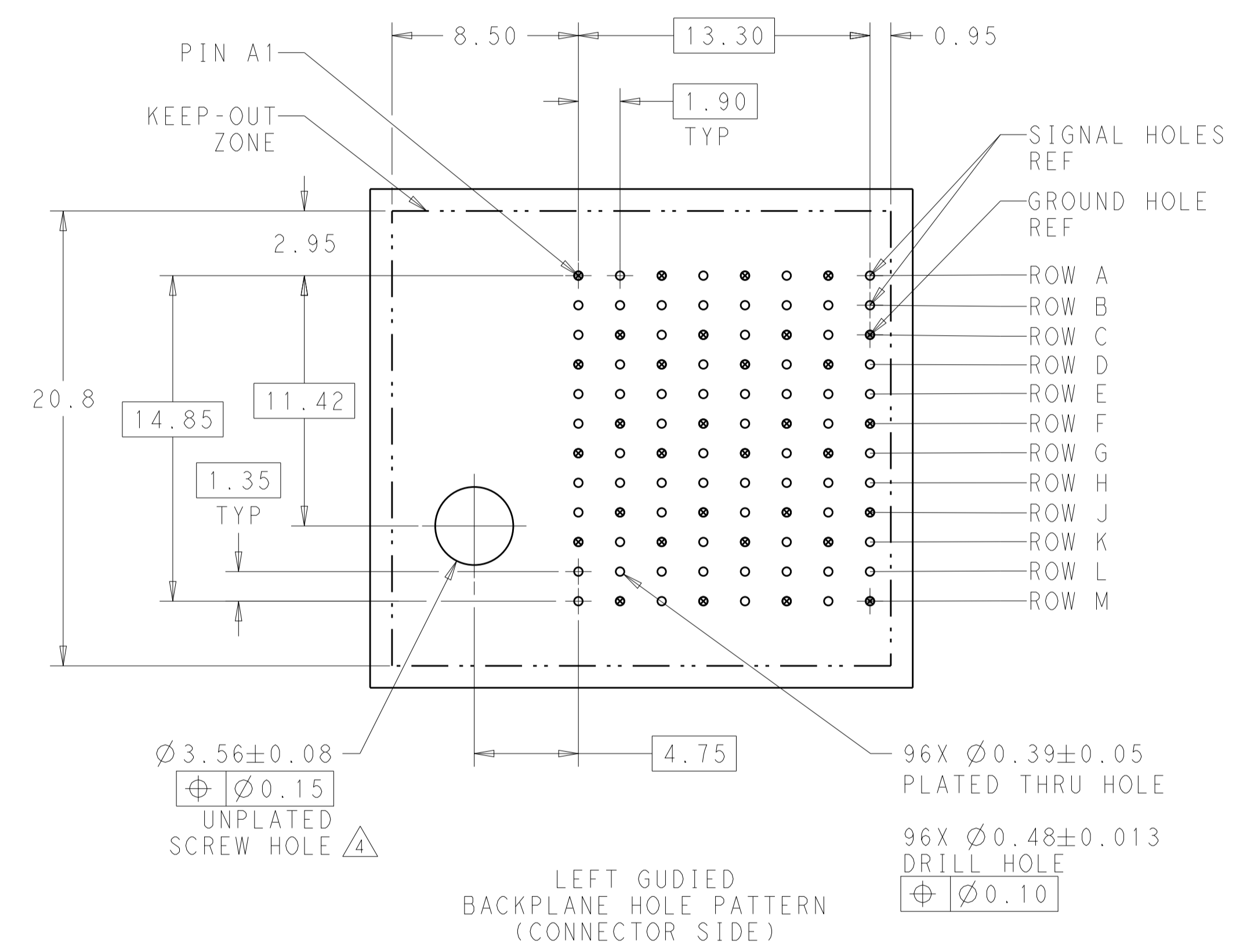
LOC		DIST		REVISIONS			
AD	00	P	LTN	DESCRIPTION	DATE	DWN	APVD
		A1		REVISED PER ECO-15-003239	24MAR2015	AP	DD



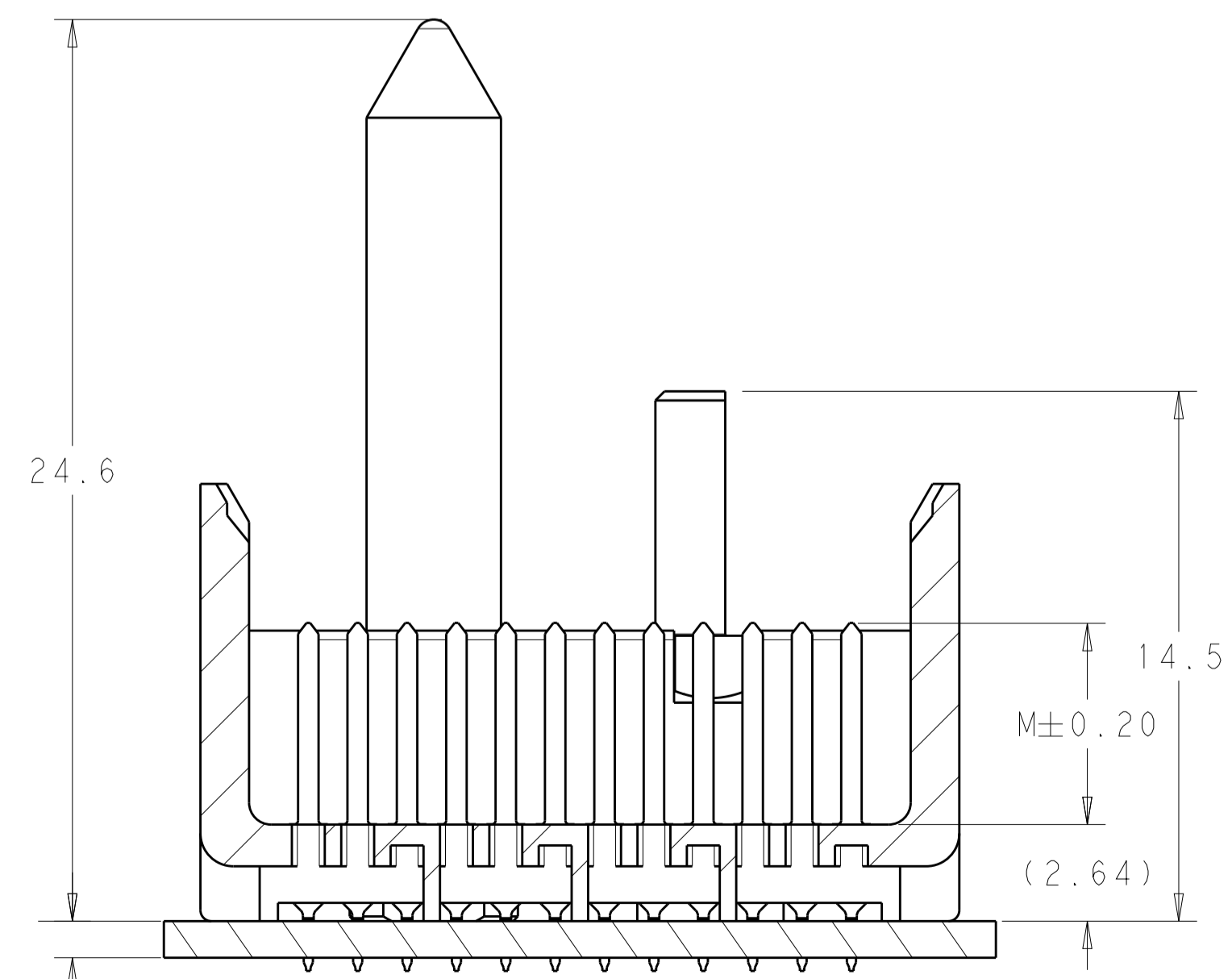
NOTCH DESIGNATES ROW A



- 1. MATERIAL:
HOUSING: LCP, GLASS FILLED, UL94V-0.
TERMINALS: HIGH PERFORMANCE COPPER ALLOY.
- 2. FINISH:
30μ" MIN GOLD IN CONTACT AREA. SELECTIVE TIN ON PCB TAILS, NICKEL OVERALL.
- 3. SCREWS PACKAGED IN END OF PACKAGING TUBE.
- 4. FOR GROUNDED GUIDE PIN USE Ø3.56±0.08 PTH, Ø3.66 DRILL, AND Ø6.5 PAD.
- 5. KEYING PIN SHOWN IN POSITION A, SEE KEYING CHART ON SHEET 2 FOR OTHER POSITIONS.



1.4 TAIL LENGTH
1.00 MINIMUM BOARD THICKNESS



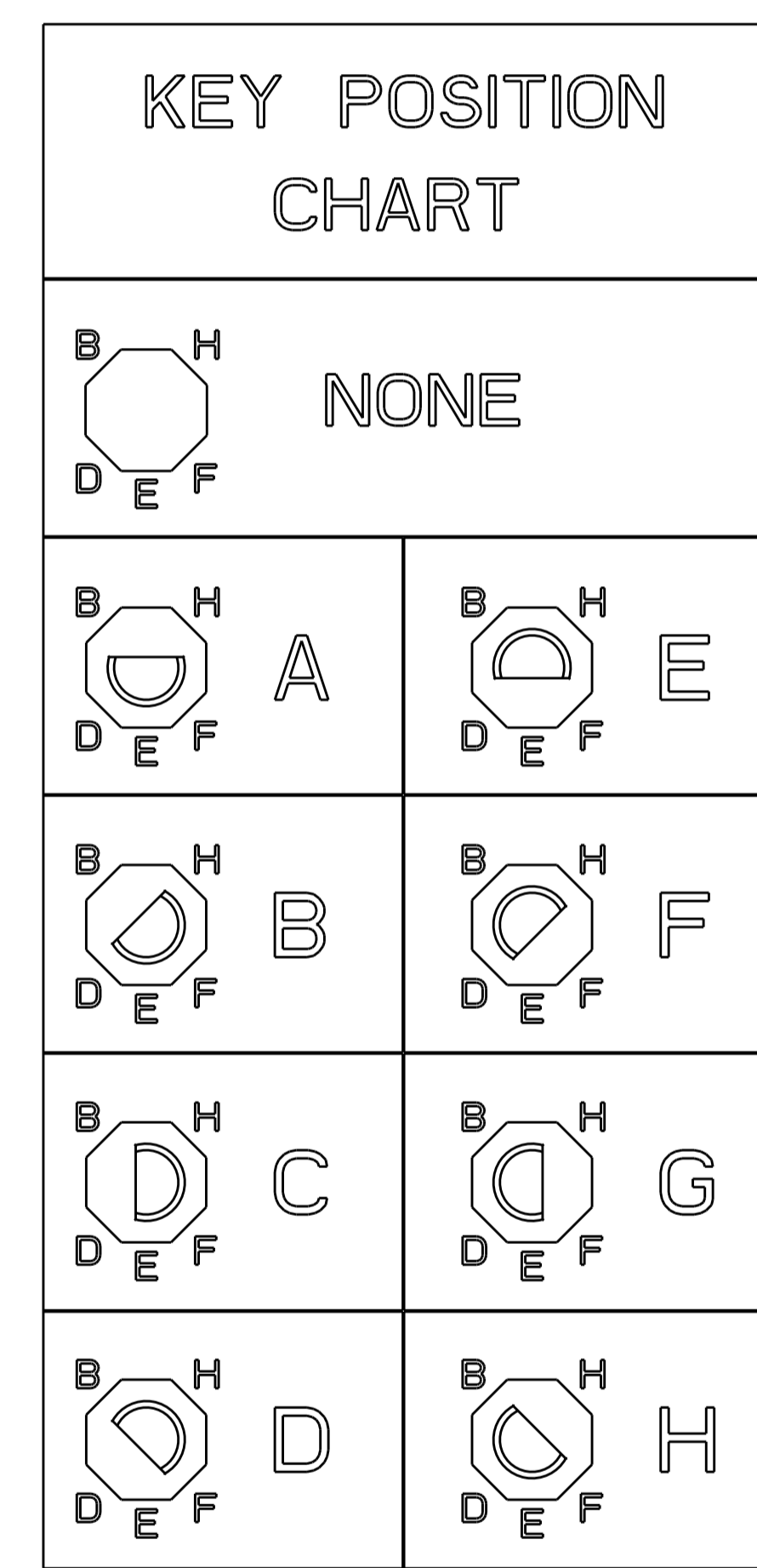
SECTION A-A

THIS DRAWING IS A CONTROLLED DOCUMENT.		DWN: KIRAN HOLAL 09JAN2013	TE Connectivity
DIMENSIONS: mm		CHK: D. DIXON 09JAN2013	
TOLERANCES UNLESS OTHERWISE SPECIFIED:		APVD: D. DIXON 09JAN2013	NAME: IMPACT, 4 PAIR, 8 COLUMN, HEADER LEFT GUIDED, OPEN END WALL SIGNAL MODULE, 0.39 PTH
0 PLC ±0.25	1 PLC ±0.25	PRODUCT SPEC	SIZE: A1
2 PLC ±0.13	3 PLC ±0.13	APPLICATION SPEC	CAGE CODE: 2057435
4 PLC ±0.13	ANGLES ±0.13	WEIGHT	RESTRICTED TO
MATERIAL: SEE TABLE		Customer Drawing	SCALE: 6:1 SHEET 1 OF 2 REV: A1

LOC	DIST	REVISIONS					
		P	LTN	DESCRIPTION	DATE	DWN	APVD
AD	00	-	-	SEE SHEET 1	-	-	-

	H	5.5	8-2057435-3
	H	4.9	8-2057435-2
	H	4.5	8-2057435-1
	G	5.5	7-2057435-3
	G	4.9	7-2057435-2
	G	4.5	7-2057435-1
	F	5.5	6-2057435-3
	F	4.9	6-2057435-2
	F	4.5	6-2057435-1
	E	5.5	5-2057435-3
	E	4.9	5-2057435-2
	E	4.5	5-2057435-1
	D	5.5	4-2057435-3
	D	4.9	4-2057435-2
	D	4.5	4-2057435-1
	C	5.5	3-2057435-3
	C	4.9	3-2057435-2
	C	4.5	3-2057435-1
	B	5.5	2-2057435-3
	B	4.9	2-2057435-2
	B	4.5	2-2057435-1
	A	5.5	1-2057435-3
	A	4.9	1-2057435-2
	A	4.5	1-2057435-1
	-	5.5	2057435-3
	-	4.9	2057435-2
	-	4.5	2057435-1
FINISH	KEY POSITION	DIM M	PART NUMBER

REFER TO WWW.TE.COM
 FOR PRODUCT AVAILABILITY



THIS DRAWING IS A CONTROLLED DOCUMENT.		DWN: KIRAN HOLAL 09JAN2013	
DIMENSIONS: mm		CHK: D. DIXON 09JAN2013	
		TOLERANCES UNLESS OTHERWISE SPECIFIED:	APVD: D. DIXON 09JAN2013
0 PLC ± 1 PLC ±0.25 2 PLC ±0.13 3 PLC ± 4 PLC ± ANGLES ± FINISH SEE TABLE		NAME: IMPACT, 4 PAIR, 8 COLUMN, HEADER LEFT GUIDED, OPEN END WALL SIGNAL MODULE, 0.39 PTH	PRODUCT SPEC
MATERIAL: -		APPLICATION SPEC	RESTRICTED TO
WEIGHT: -		SCALE: 5:1	SIZE: A1
Customer Drawing		SHEET 2 OF 2	REV: A1