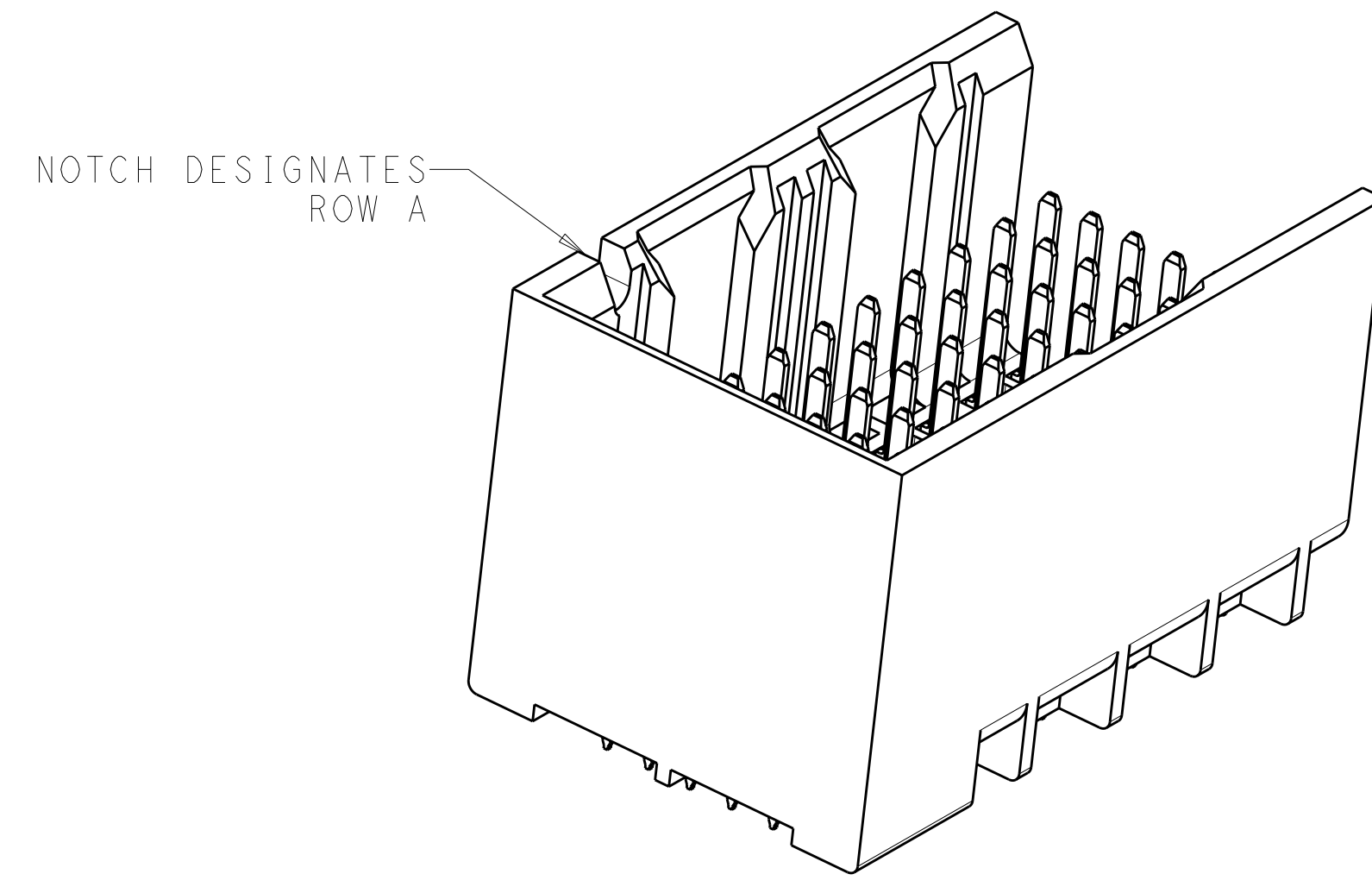
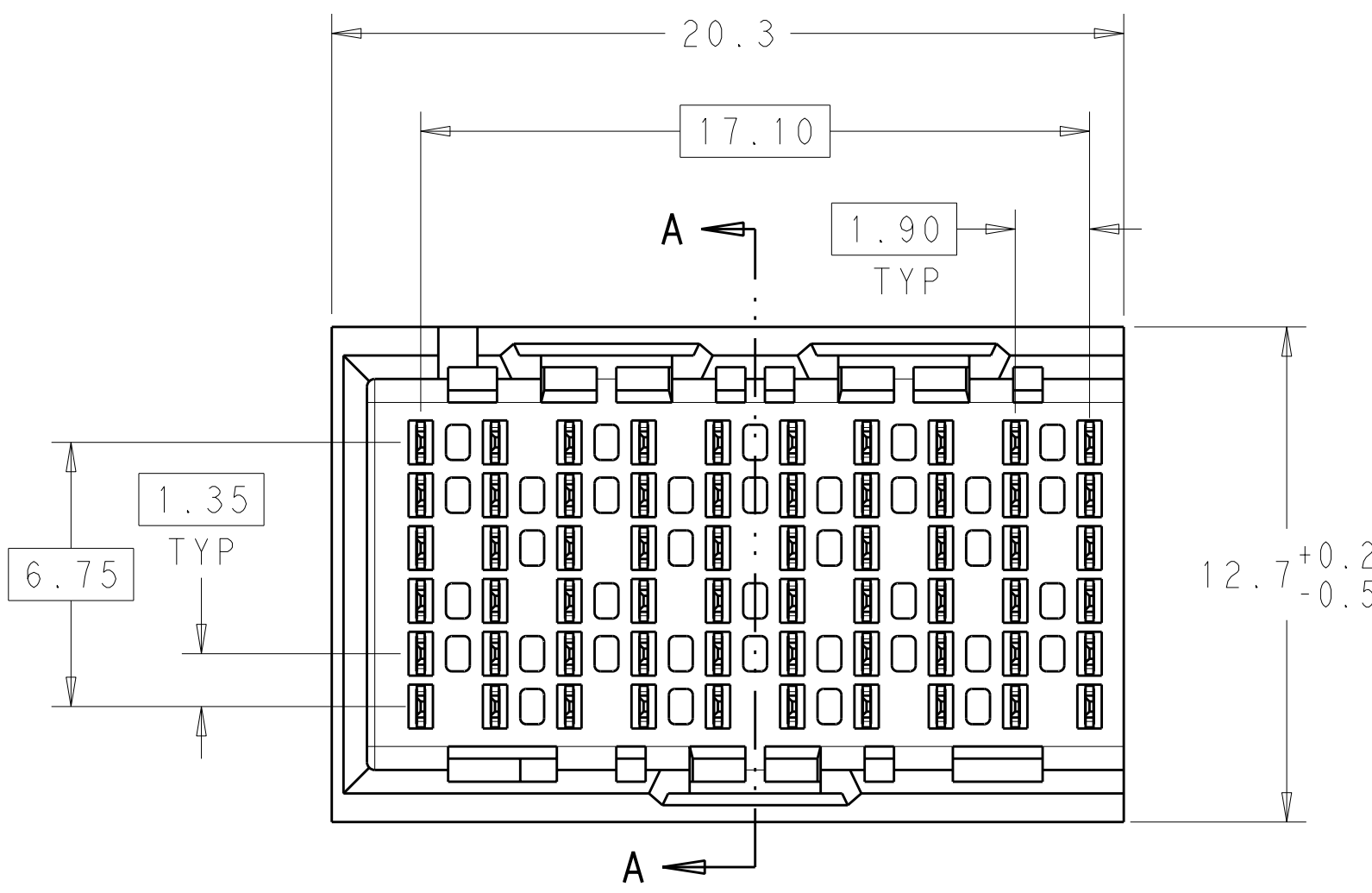
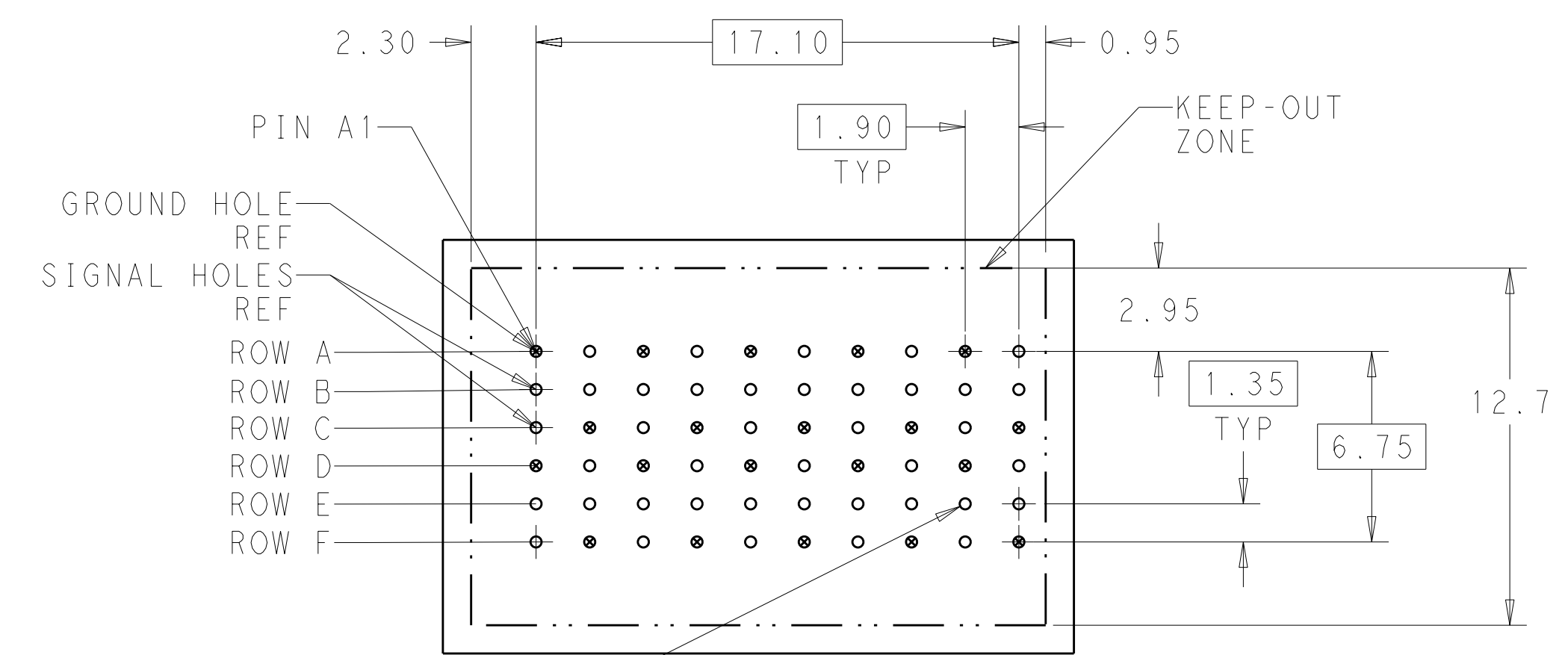


LOC	DIST	REV	DATE	BY	APPD
AD	00	B	05JAN12	KH	DY

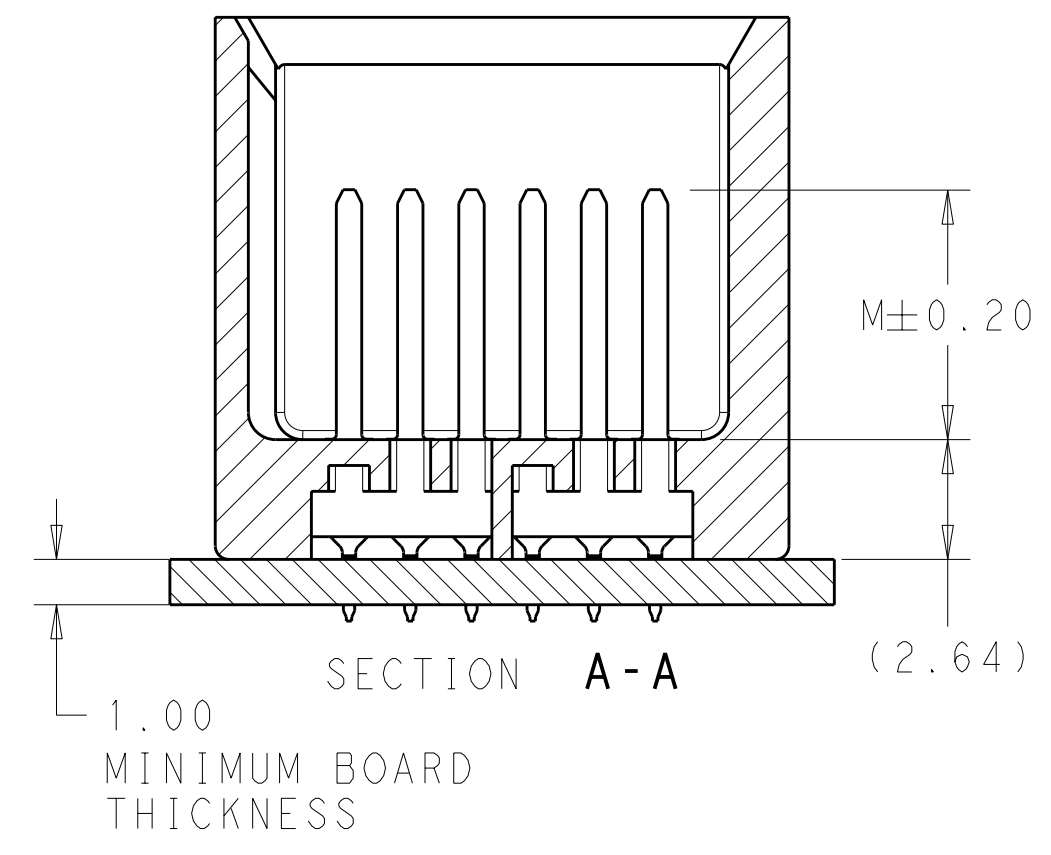
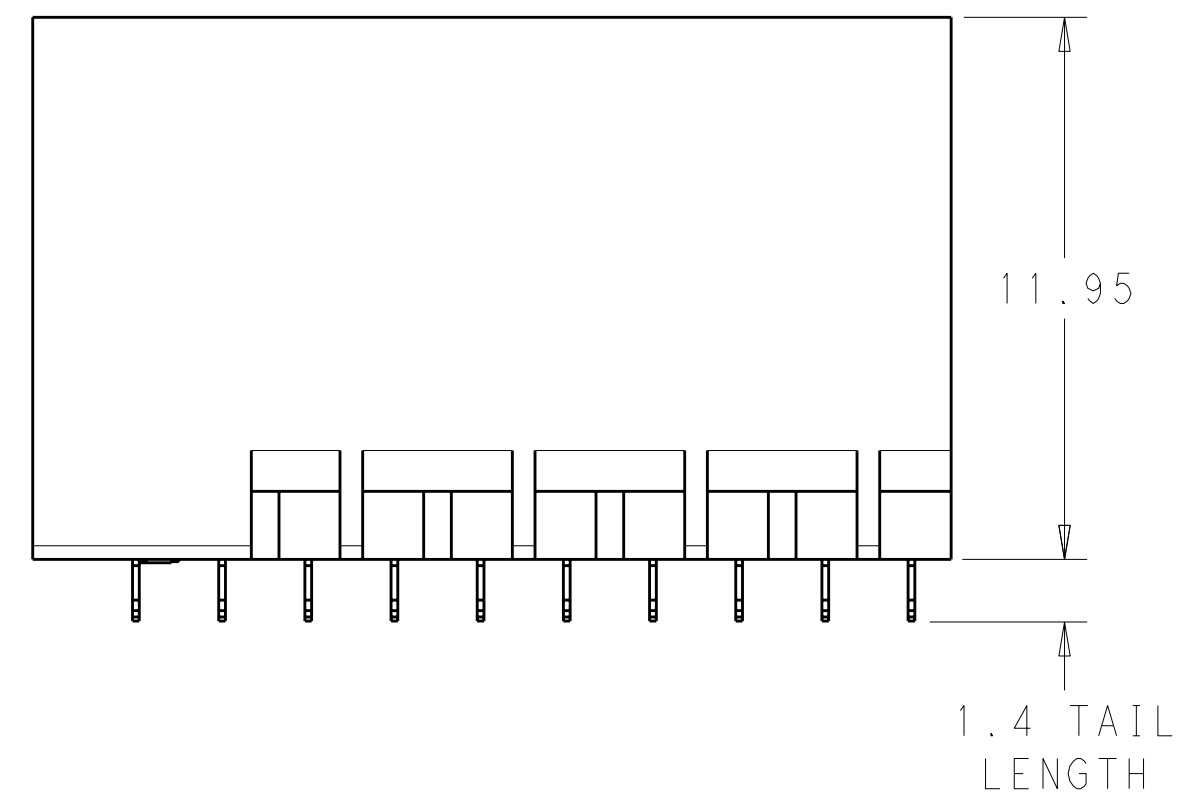


- 1 MATERIAL:
HOUSING: LCP, GLASS FILLED, UL94V-0.
TERMINALS: HIGH PERFORMANCE COPPER ALLOY.
- 2 FINISH:
30μ" MIN GOLD IN CONTACT AREA. SELECTIVE TIN ON PCB TAILS, NICKEL OVERALL.
- 3 FINISH:
30μ" MIN GOLD IN CONTACT AREA. SELECTIVE TIN-LEAD ON PCB TAILS, NICKEL OVERALL.



60X $\varnothing 0.39 \pm 0.05$
 $\varnothing 0.10$
 PLATED THRU HOLE

UNGUIDED
 BACKPLANE HOLE PATTERN
 (CONNECTOR SIDE)




THIS DRAWING IS A CONTROLLED DOCUMENT.		DWN J. K. SHOBER 31JAN2011	TE Connectivity														
DIMENSIONS: mm		CHK J. EABY 31JAN2011															
TOLERANCES UNLESS OTHERWISE SPECIFIED:		APVD J. EABY 31JAN2011	NAME IMPACT, 2 PAIR, 10 COLUMN, HEADER UNGUIDED, LEFT END WALL SIGNAL MODULE, 0.39 PTH														
<table border="1"> <tr><td>9 PLC</td><td>±</td></tr> <tr><td>1 PLC</td><td>±0.25</td></tr> <tr><td>3 PLC</td><td>±0.13</td></tr> <tr><td>5 PLC</td><td>±</td></tr> <tr><td>4 PLC</td><td>±</td></tr> <tr><td>ANGLES</td><td>±</td></tr> <tr><td>FINISH</td><td>SEE TABLE</td></tr> </table>		9 PLC	±	1 PLC	±0.25	3 PLC	±0.13	5 PLC	±	4 PLC	±	ANGLES	±	FINISH	SEE TABLE	PRODUCT SPEC	RESTRICTED TO
9 PLC	±																
1 PLC	±0.25																
3 PLC	±0.13																
5 PLC	±																
4 PLC	±																
ANGLES	±																
FINISH	SEE TABLE																
MATERIAL		APPLICATION SPEC	SIZE CAGE CODE DRAWING NO														
		WEIGHT	A100779C=2057431														
		CUSTOMER DRAWING	SCALE 6:1 SHEET 1 OF 2 REV B														

THIS DRAWING IS UNPUBLISHED. RELEASED FOR PUBLICATION 20
 © COPYRIGHT 20 . . . ALL RIGHTS RESERVED.

LOC	DIST	REVISIONS					
AD	00	P	LTG	DESCRIPTION	DATE	DWN	APVD
		-	-	SEE SHEET 1	-	-	-

FINISH	DIM M	PART NUMBER
\triangle_3	5.5	2057431-6
\triangle_3	4.9	2057431-5
\triangle_3	4.5	2057431-4
\triangle_2	5.5	2057431-3
\triangle_2	4.9	2057431-2
\triangle_2	4.5	2057431-1

REFER TO WWW.TE.COM
FOR PRODUCT AVAILABILITY

THIS DRAWING IS A CONTROLLED DOCUMENT.		DWN J. K. SHOBER 31 JAN 2011	 TE Connectivity	
DIMENSIONS: mm		CHK J. EARY 31 JAN 2011		
TOLERANCES UNLESS OTHERWISE SPECIFIED: 9 PLC ± 7 PLC ±0.25 5 PLC ±0.13 4 PLC ± ANGLES ±		APVD J. EARY 31 JAN 2011	NAME IMPACT, 2 PAIR, 10 COLUMN, HEADER UNGUIDED, LEFT END WALL SIGNAL MODULE, 0.39 PTH	
MATERIAL -		FINISH SEE TABLE	PRODUCT SPEC -	APPLICATION SPEC -
CUSTOMER DRAWING		WEIGHT -	SIZE A100779	DRAWING NO C=2057431
		SCALE 5:1	SHEET 2	OF 2
		REV B	RESTRICTED TO -	