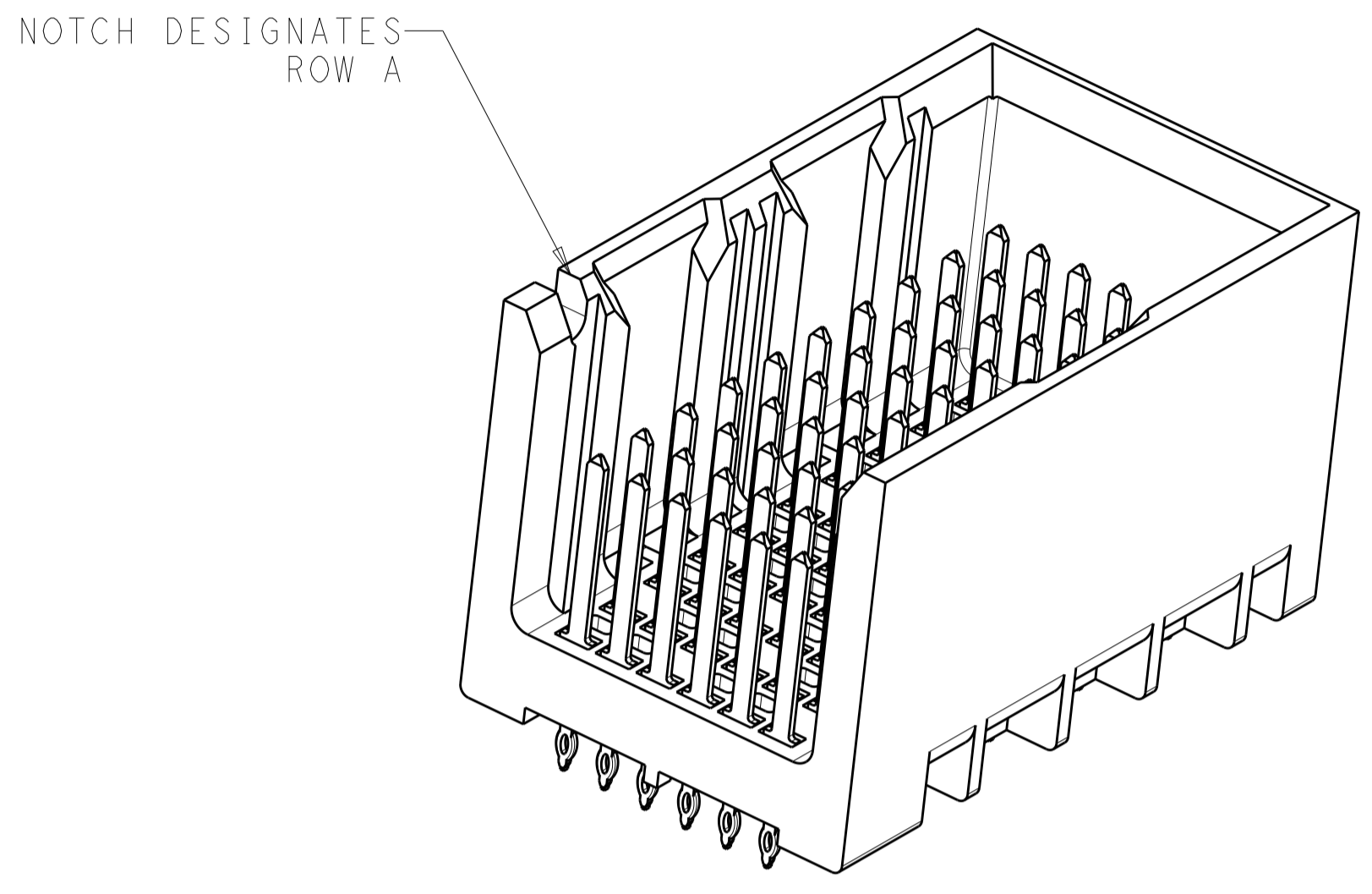
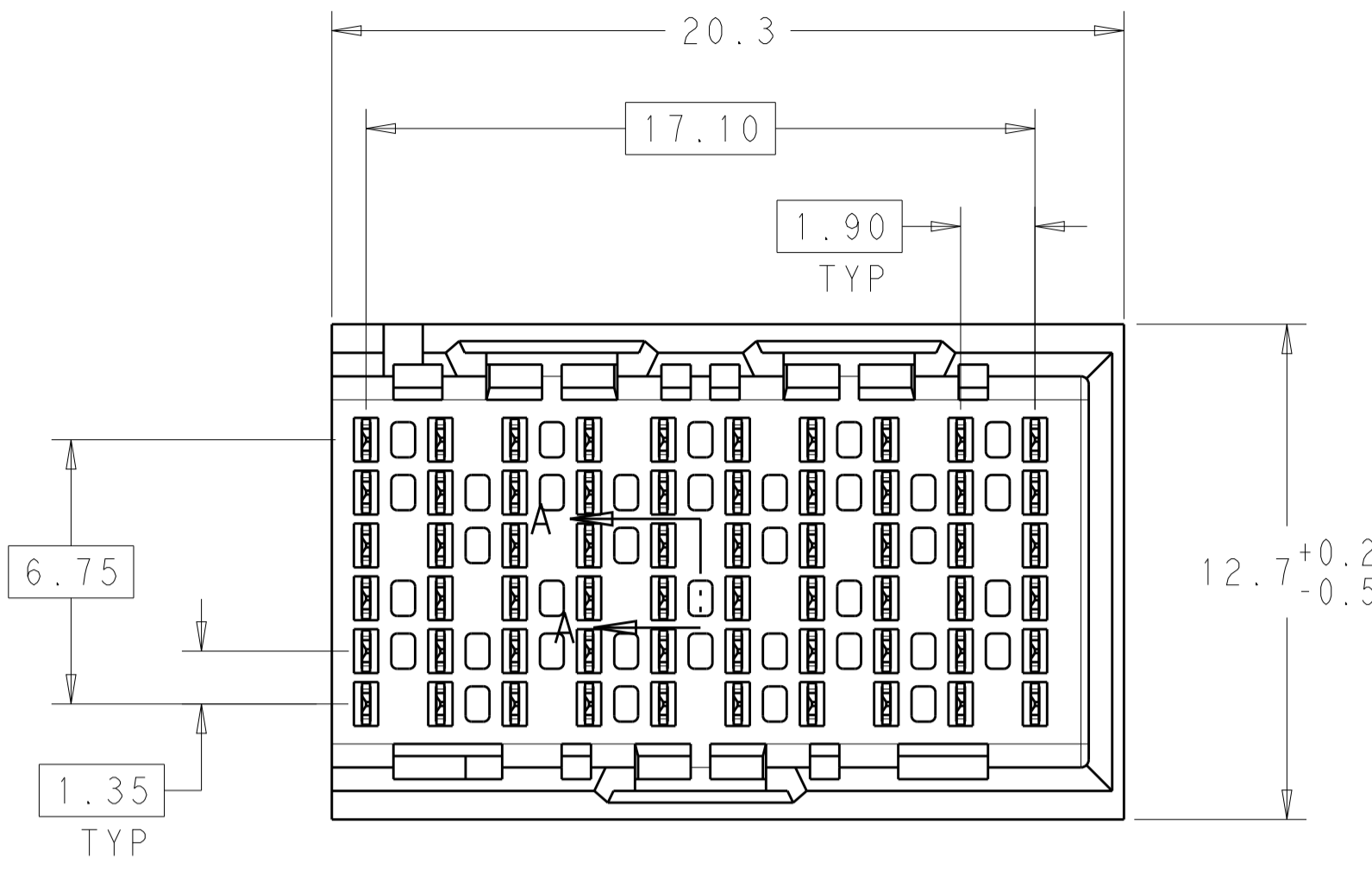
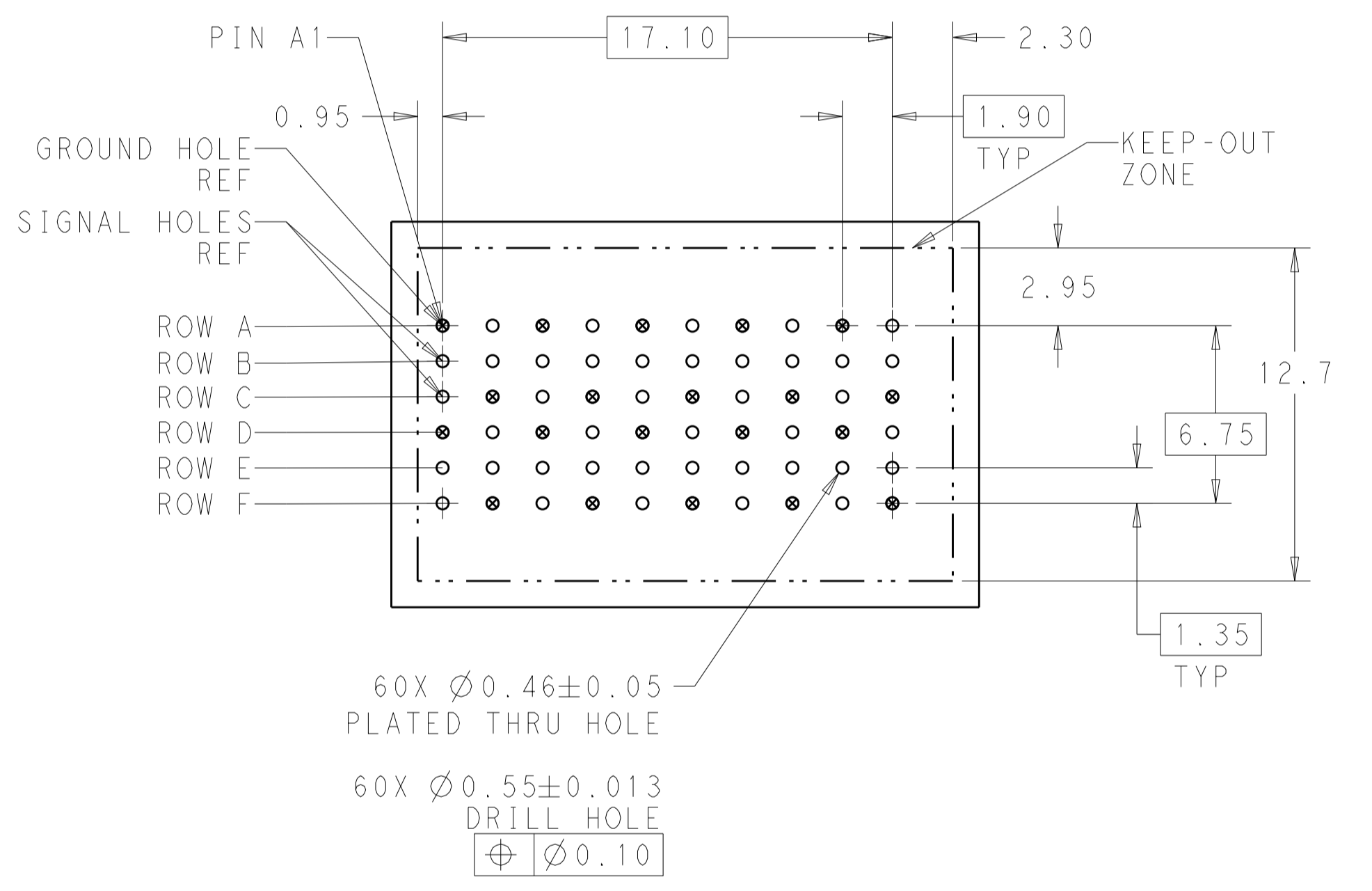


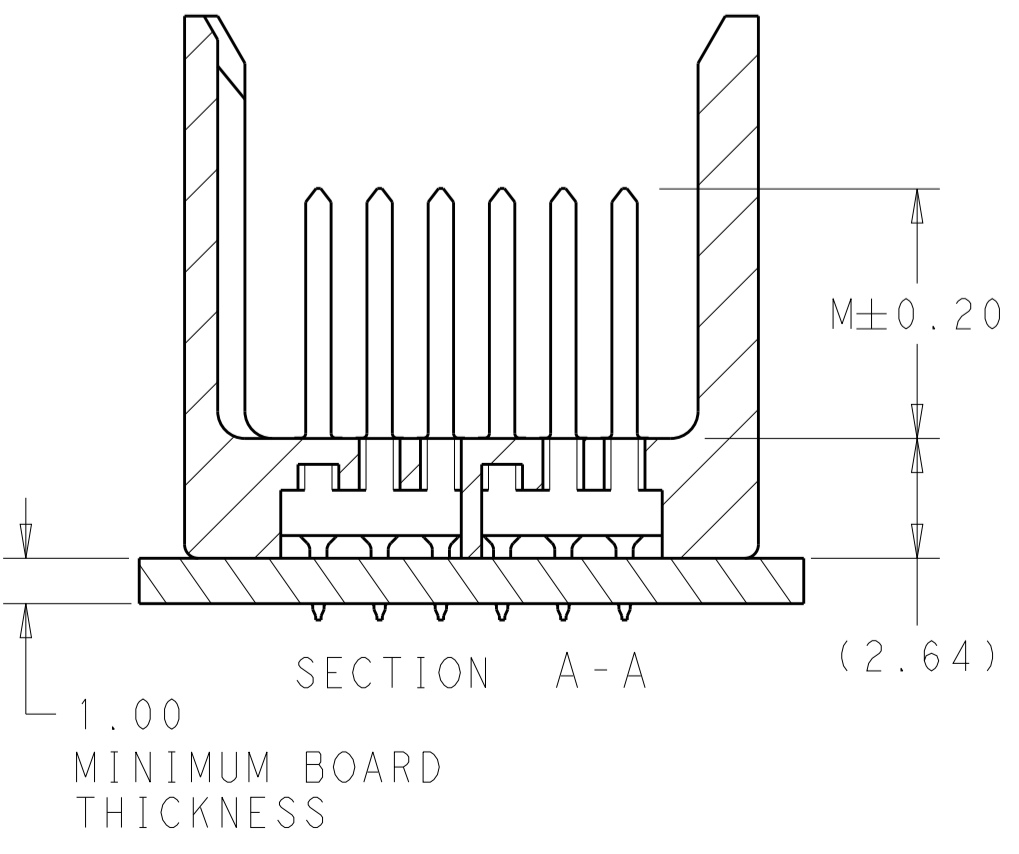
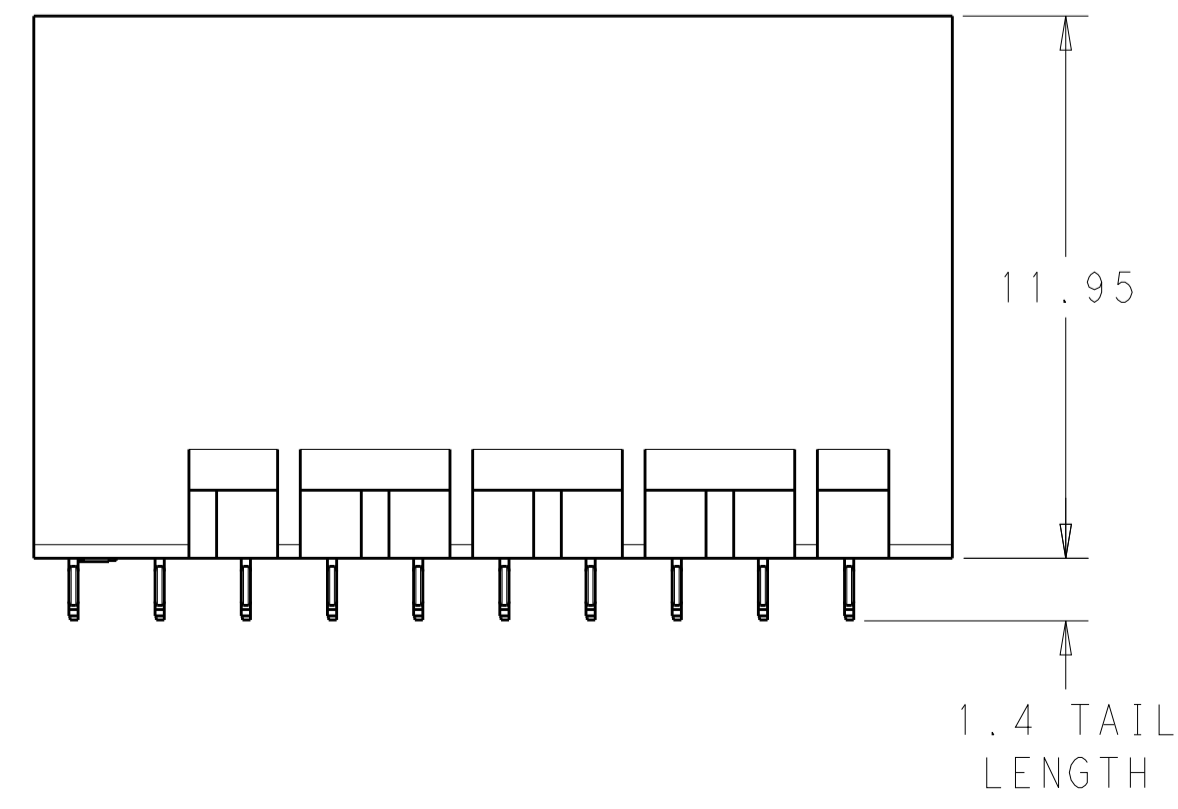
REVISIONS				
P.	LTM	DESCRIPTION	DATE	APVD
C1		REVISED PER ECO-15-003239	24MAR2015	AP DD



- ⚠ MATERIAL:
HOUSING: LCP, GLASS FILLED, UL94V-0.
TERMINALS: HIGH PERFORMANCE COPPER ALLOY.
- ⚠ FINISH:
30μ" MIN GOLD IN CONTACT AREA. SELECTIVE TIN ON PCB TAILS, NICKEL OVERALL.
- ⚠ FINISH:
30μ" MIN GOLD IN CONTACT AREA. SELECTIVE TIN-LEAD ON PCB TAILS, NICKEL OVERALL.



60X $\varnothing 0.46 \pm 0.05$ PLATED THRU HOLE
 60X $\varnothing 0.55 \pm 0.013$ DRILL HOLE
 $\varnothing 0.10$
 UNGUIDED BACKPLANE HOLE PATTERN (CONNECTOR SIDE)




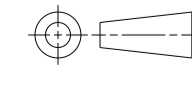
THIS DRAWING IS A CONTROLLED DOCUMENT.		DWN R. COELLO 27APR2011	TE Connectivity
DIMENSIONS: mm		CHK J. EARY 27APR2011	
TOLERANCES UNLESS OTHERWISE SPECIFIED:		APVD J. EARY 27APR2011	
0 PLC ± 1 PLC ±0.25 2 PLC ±0.13 3 PLC ± 4 PLC ± ANGLES ± FINISH SEE TABLE		NAME IMPACT, 2 PAIR, 10 COLUMN, HEADER PRODUCT SPEC UNGUIDED, RIGHT END WALL APPLICATION SPEC SIGNAL MODULE, 0.46 PTH SIZE CAGE CODE DRAWING NO. RESTRICTED TO A100779C=2057429 WEIGHT Customer Drawing SCALE 6:1 SHEET 1 OF 2 REV C1	

THIS DRAWING IS UNPUBLISHED. RELEASED FOR PUBLICATION 20
 © COPYRIGHT 20 BY - ALL RIGHTS RESERVED.

REVISIONS				
P.	LTN	DESCRIPTION	DATE	DMN
-	-	SEE SHEET 1	-	-

FINISH	DIM M	PART NUMBER
△3	5.5	2057429-6
△3	4.9	2057429-5
△3	4.5	2057429-4
△2	5.5	2057429-3
△2	4.9	2057429-2
△2	4.5	2057429-1

REFER TO WWW.TE.COM
FOR PRODUCT AVAILABILITY

THIS DRAWING IS A CONTROLLED DOCUMENT.		DMN R. COELLO 27APR2011	 TE Connectivity
DIMENSIONS: mm		CHK J. EARY 27APR2011	
 0 PLC ± 1 PLC ±0.25 2 PLC ±0.13 3 PLC ± 4 PLC ± ANGLES ± FINISH SEE TABLE		APVD J. EARY 27APR2011	
MATERIAL -		PRODUCT SPEC -	NAME IMPACT, 2 PAIR, 10 COLUMN, HEADER UNGUIDED, RIGHT END WALL SIGNAL MODULE, 0.46 PTH
WEIGHT -		APPLICATION SPEC -	SIZE A100779C=2057429
Customer Drawing		RESTRICTED TO -	SCALE 5:1 SHEET 2 OF 2 REV C1