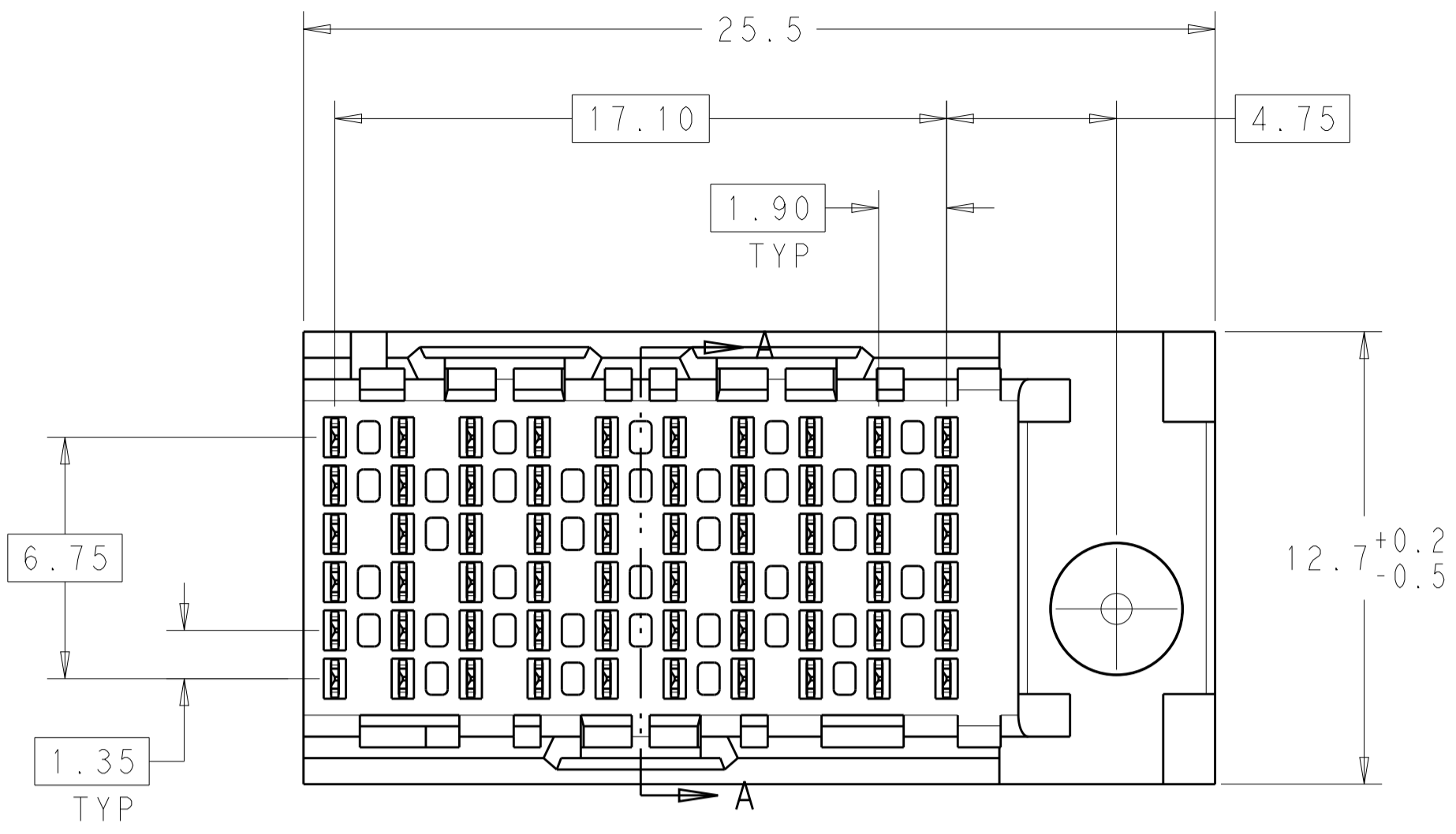
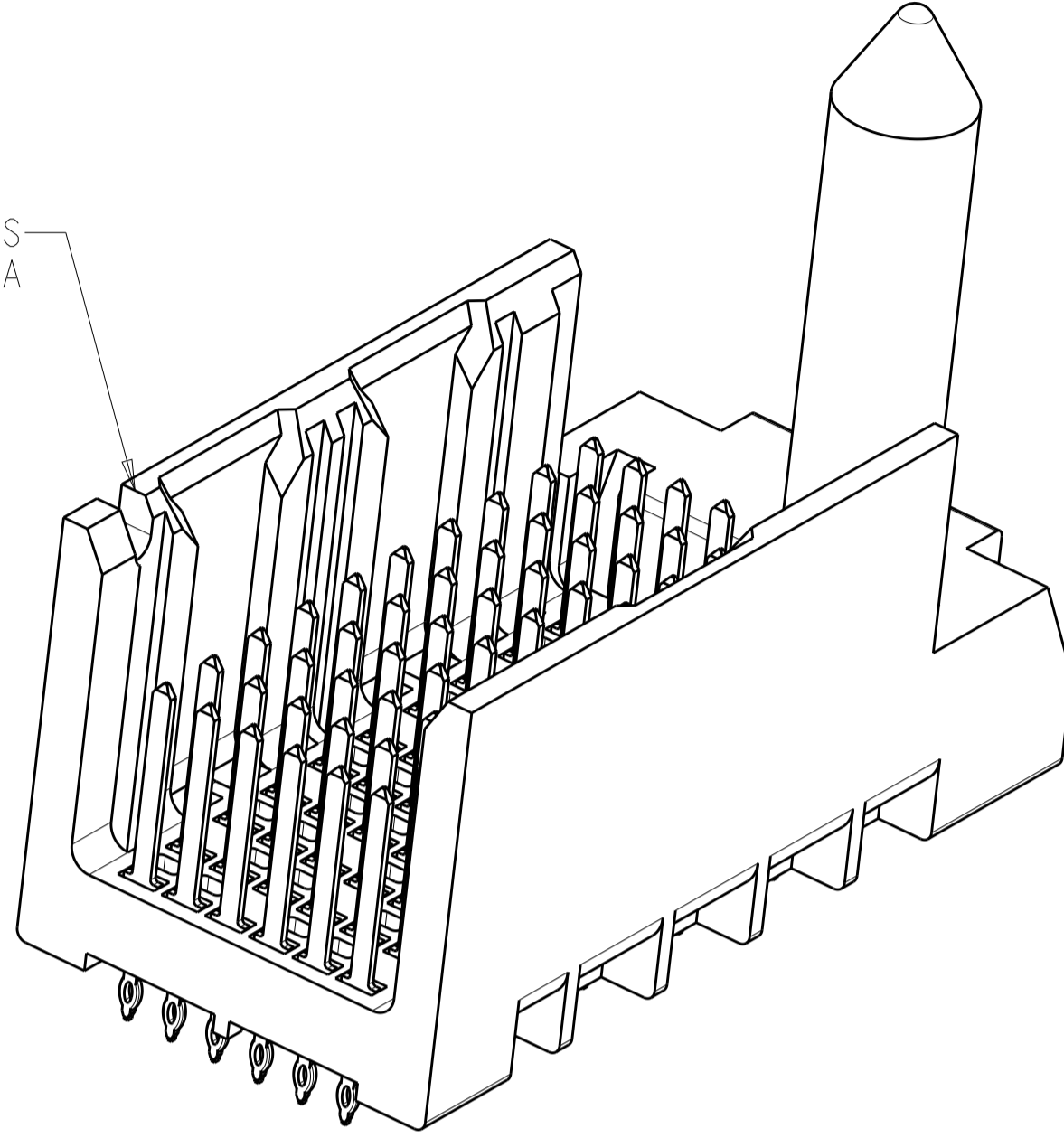


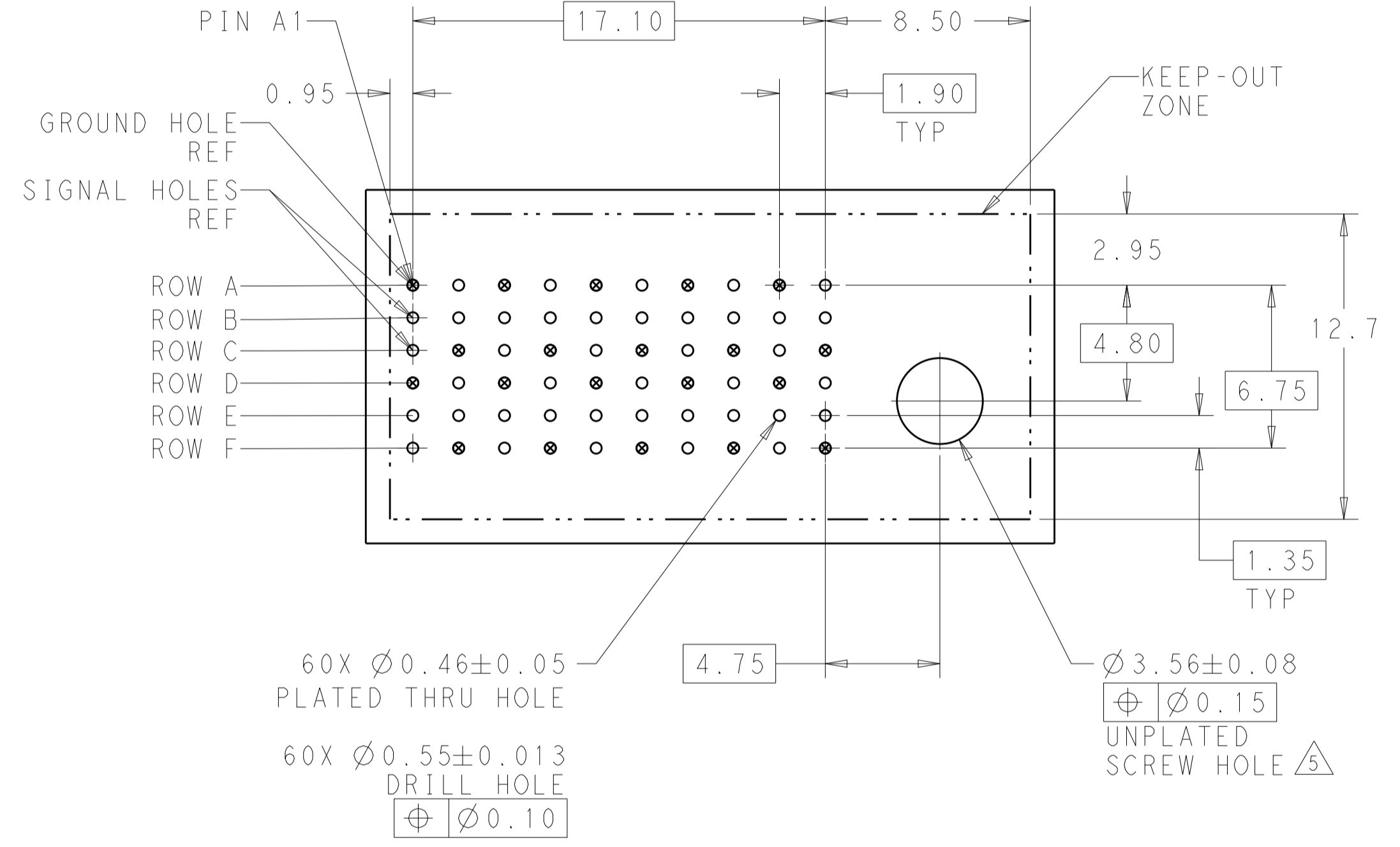
REVISIONS				
P.	LTN.	DESCRIPTION	DATE	APVD.
C1		REVISED PER ECO-15-003239	24MAR2015	AP DD



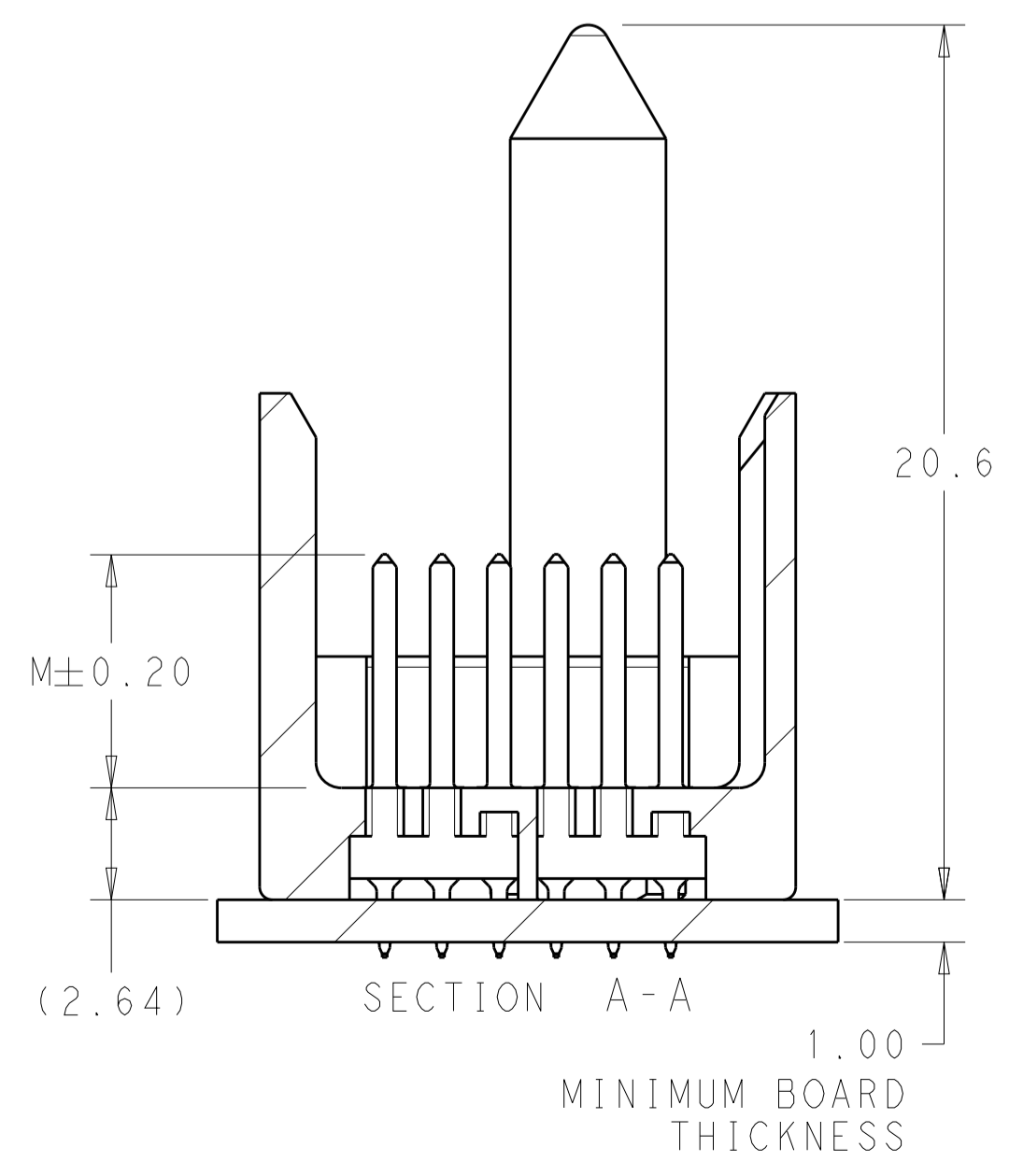
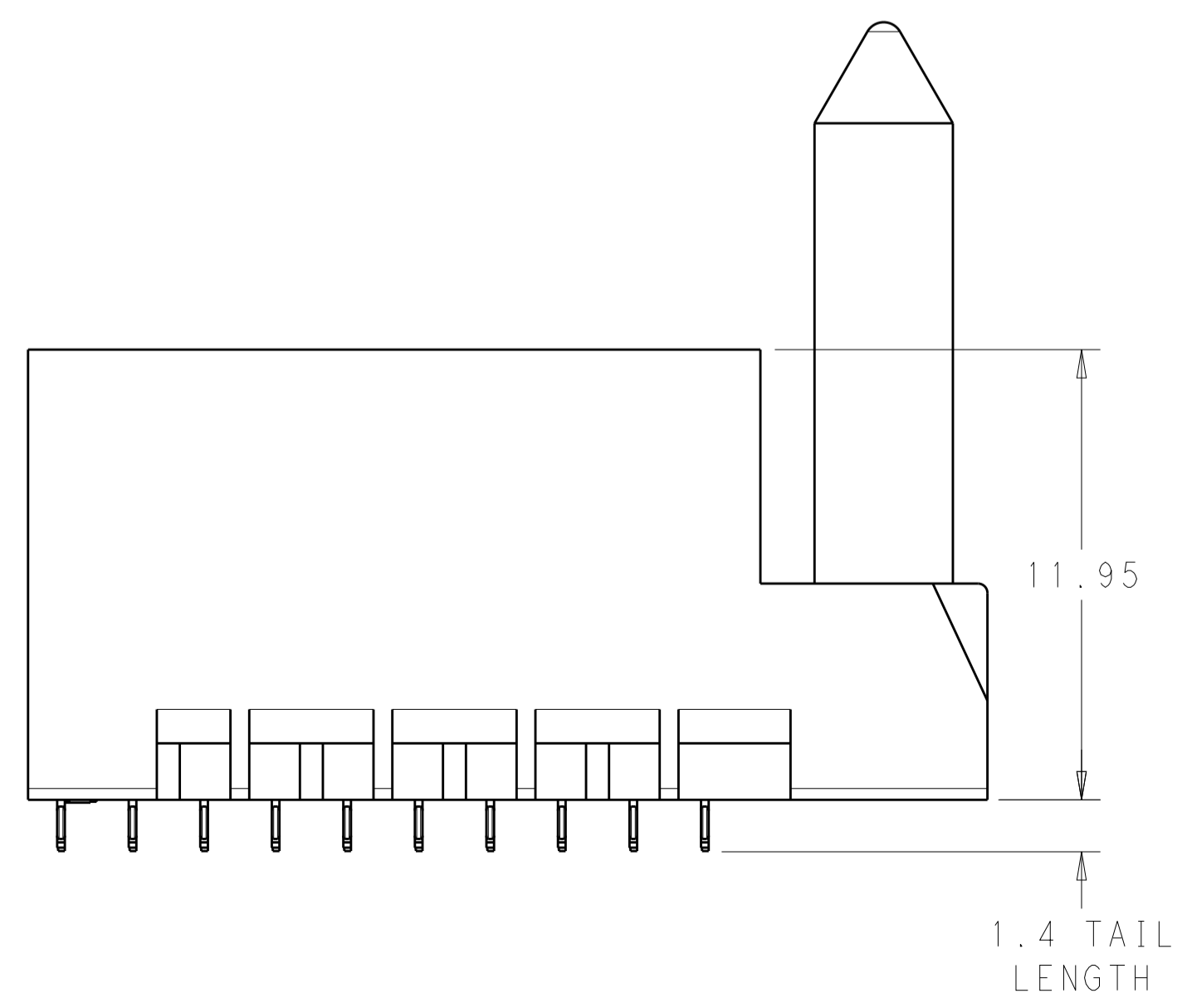
NOTCH DESIGNATES ROW A



- ⚠ MATERIAL:  
HOUSING: LCP, GLASS FILLED, UL94V-0.  
TERMINALS: HIGH PERFORMANCE COPPER ALLOY.
- ⚠ FINISH:  
30μ" MIN GOLD IN CONTACT AREA. SELECTIVE TIN ON PCB TAILS, NICKEL OVERALL.
- ⚠ FINISH:  
30μ" MIN GOLD IN CONTACT AREA. SELECTIVE TIN-LEAD ON PCB TAILS, NICKEL OVERALL.
- 4. SCREWS PACKAGED IN END OF PACKAGING TUBE.
- ⚠ FOR GROUNDED GUIDE PIN USE  $\varnothing 3.56 \pm 0.08$  PTH,  $\varnothing 3.66$  DRILL, AND  $\varnothing 6.5$  PAD.



RIGHT GUIDED BACKPLANE HOLE PATTERN (CONNECTOR SIDE)



THIS DRAWING IS A CONTROLLED DOCUMENT.		OWN: R. COELLO 27APR2011	TE Connectivity
DIMENSIONS: mm		CHK: J. EARY 27APR2011	
TOLERANCES UNLESS OTHERWISE SPECIFIED:		APVD: J. EARY 27APR2011	NAME: IMPACT, 2 PAIR, 10 COLUMN, HEADER
0 PLC ±		PRODUCT SPEC	RIGHT GUIDED, OPEN END WALL
1 PLC ±0.25		APPLICATION SPEC	SIGNAL MODULE, 0.46 PTH
2 PLC ±0.13		SIZE: CAGE CODE DRAWING NO	RESTRICTED TO
3 PLC ±		WEIGHT	A100779C=2057422
4 PLC ±		Customer Drawing	SCALE: 6:1 SHEET 1 OF 2 REV: C1
ANGLES ±			
FINISH: SEE TABLE			

THIS DRAWING IS UNPUBLISHED.	RELEASED FOR PUBLICATION	20
© COPYRIGHT 20	BY -	ALL RIGHTS RESERVED.

REVISIONS					
P.	LTN	DESCRIPTION	DATE	DMN	APVD
-	-	SEE SHEET 1	-	-	-

FINISH	DIM M	PART NUMBER
	5.5	2057422-6
	4.9	2057422-5
	4.5	2057422-4
	5.5	2057422-3
	4.9	2057422-2
	4.5	2057422-1

REFER TO WWW.TE.COM  
FOR PRODUCT AVAILABILITY

THIS DRAWING IS A CONTROLLED DOCUMENT.		DMN R. COELLO 27APR2011	
		CHK J. EARY 27APR2011	
DIMENSIONS:		APVD J. EARY 27APR2011	NAME
mm	TOLERANCES UNLESS OTHERWISE SPECIFIED:	PRODUCT SPEC	IMPACT, 2 PAIR, 10 COLUMN, HEADER
	0 PLC ±	APPLICATION SPEC	RIGHT GUIDED, OPEN END WALL
	1 PLC ±0.25	WEIGHT	SIGNAL MODULE, 0.46 PTH
	2 PLC ±0.13	Customer Drawing	SIZE CAGE CODE DRAWING NO RESTRICTED TO
	3 PLC ±		A100779C=2057422
	4 PLC ±		SCALE 5:1 SHEET 2 OF 2 REV C1
	ANGLES FINISH ±		