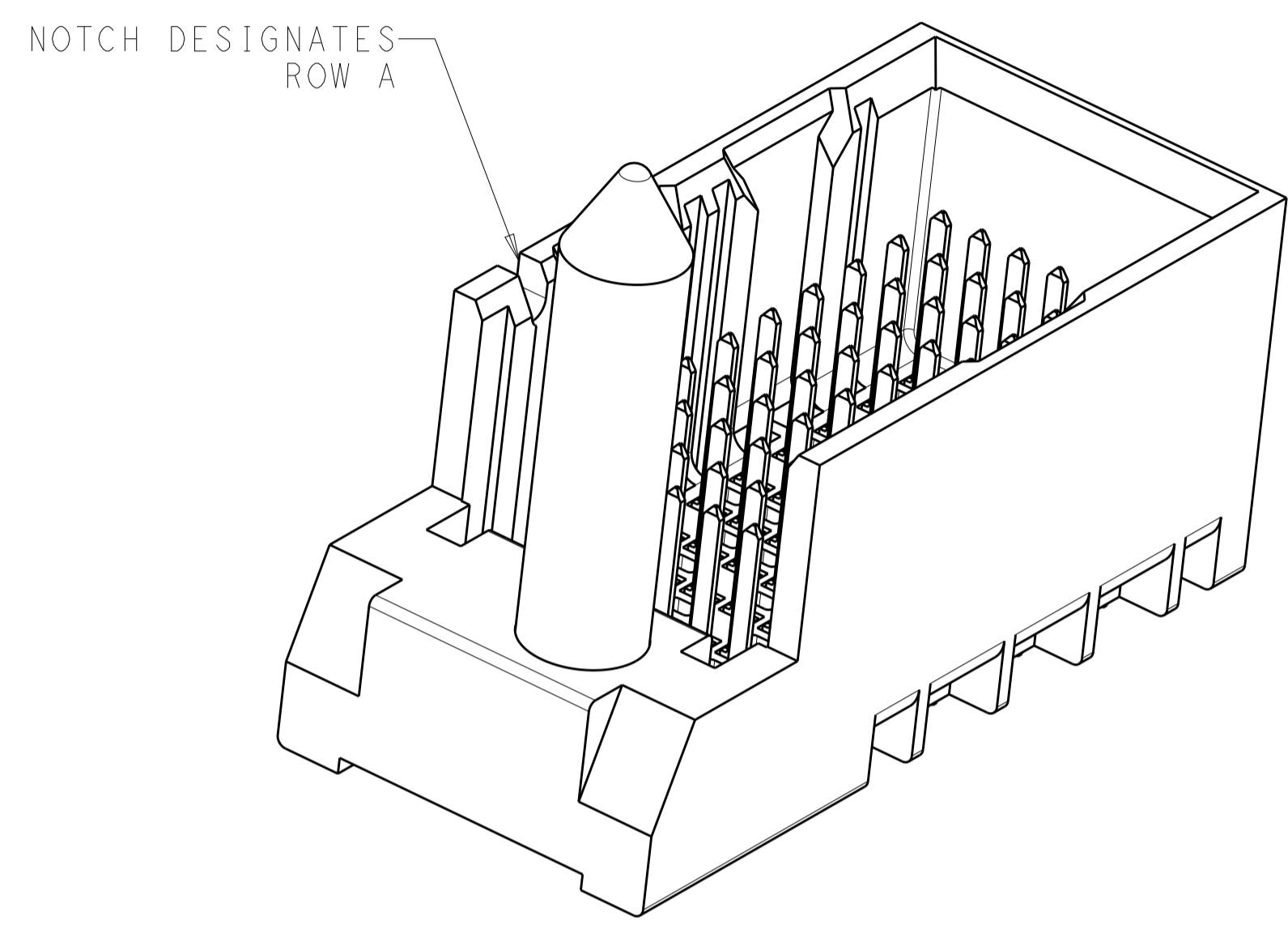
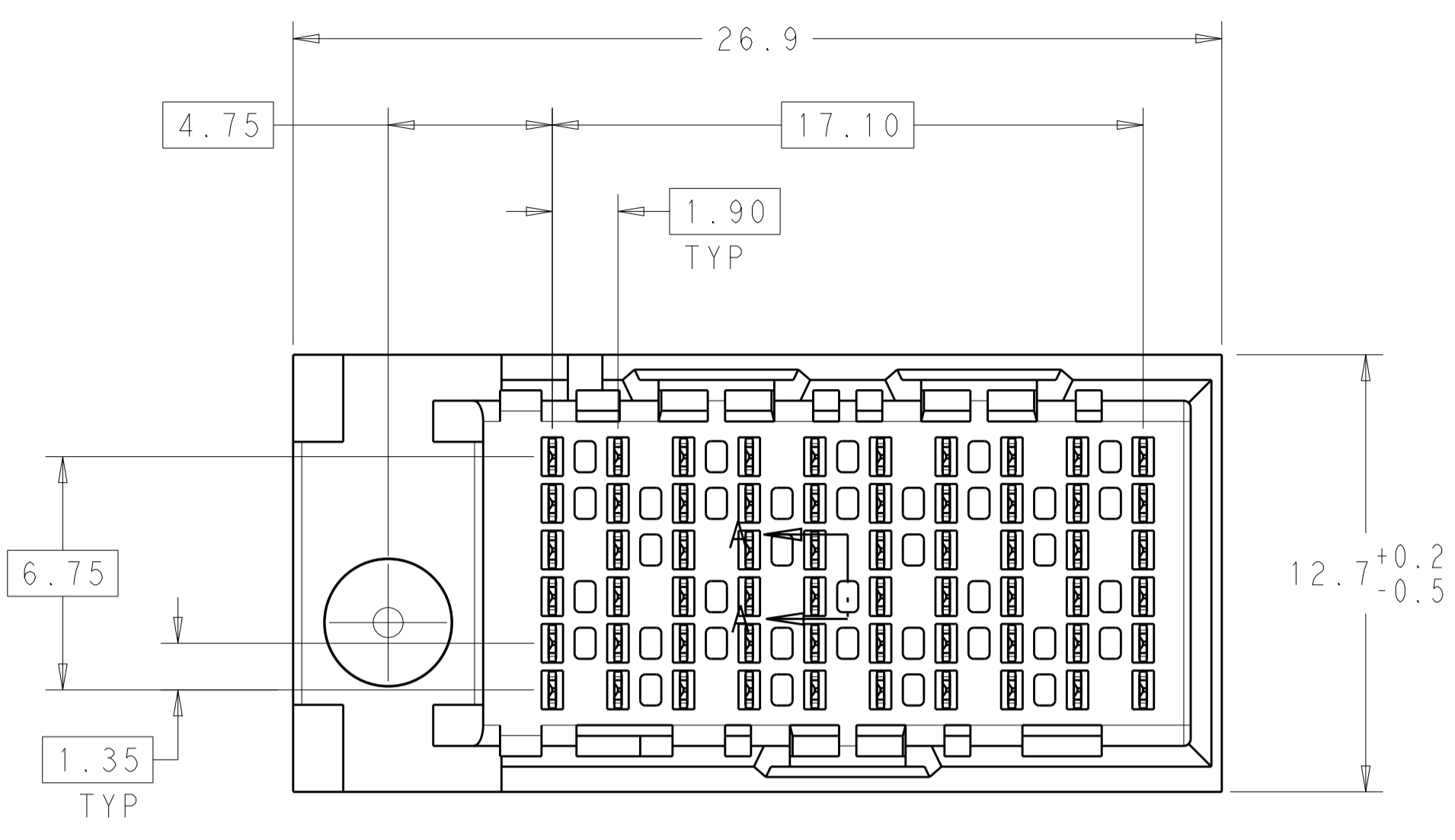
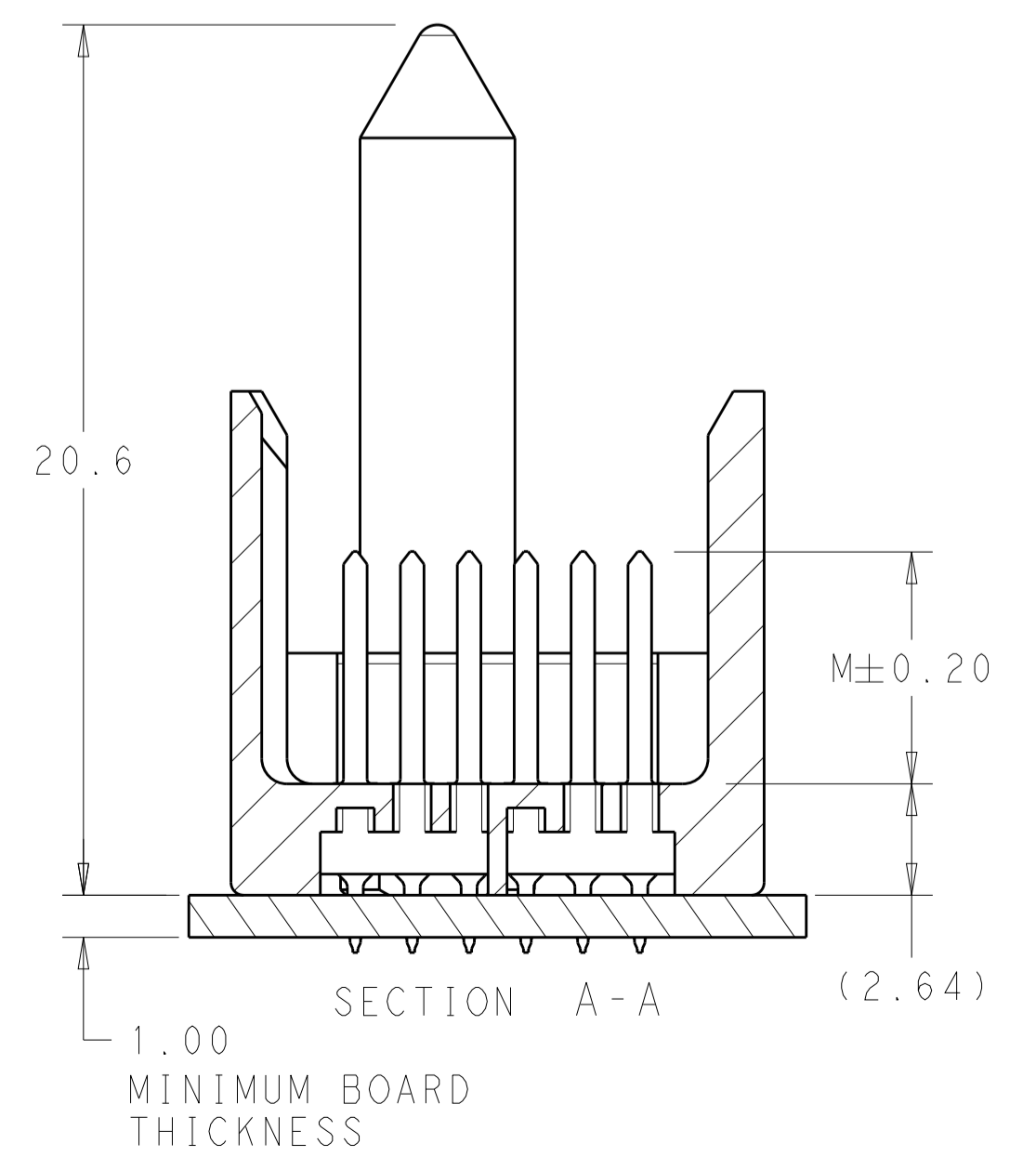
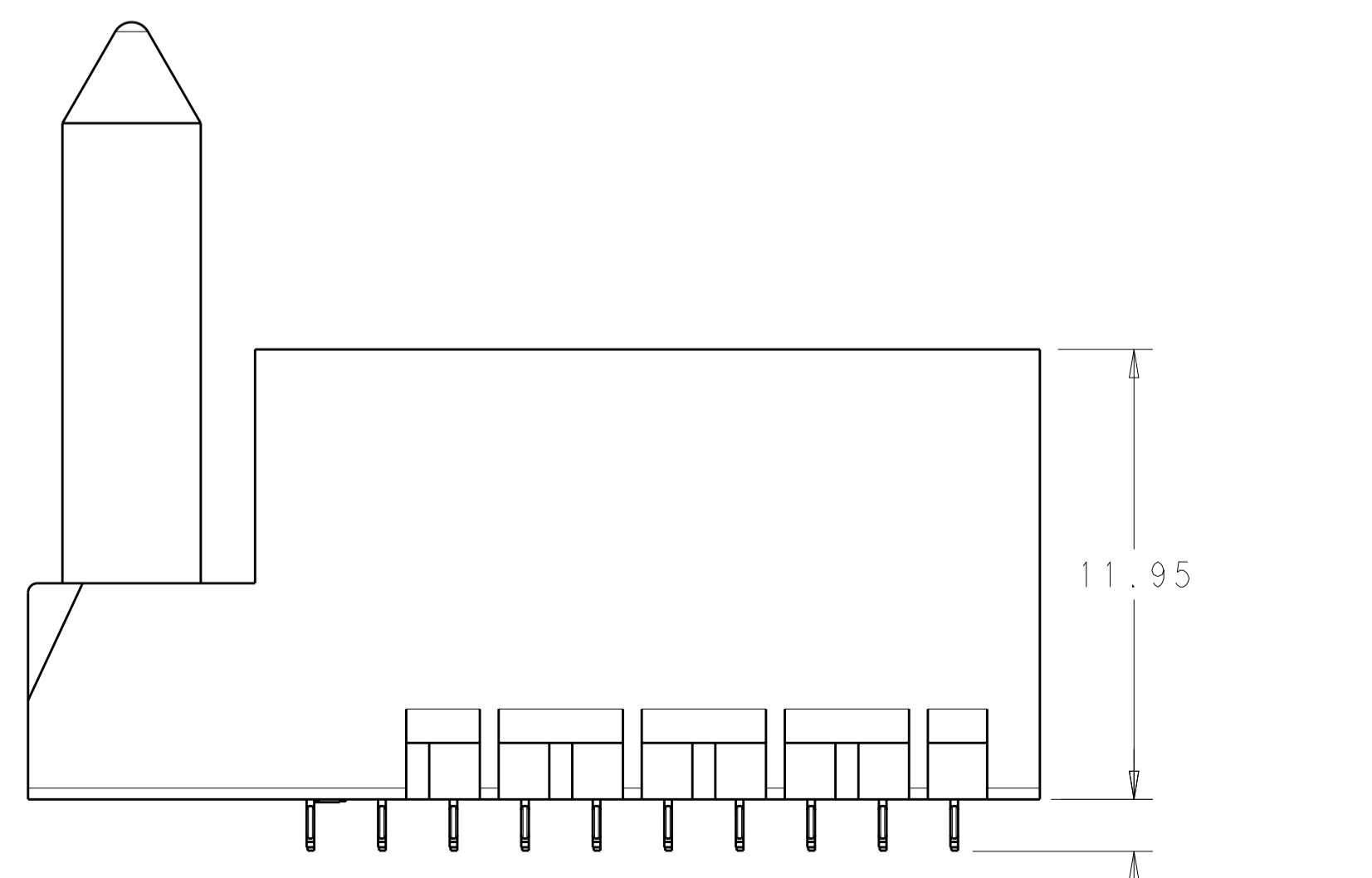
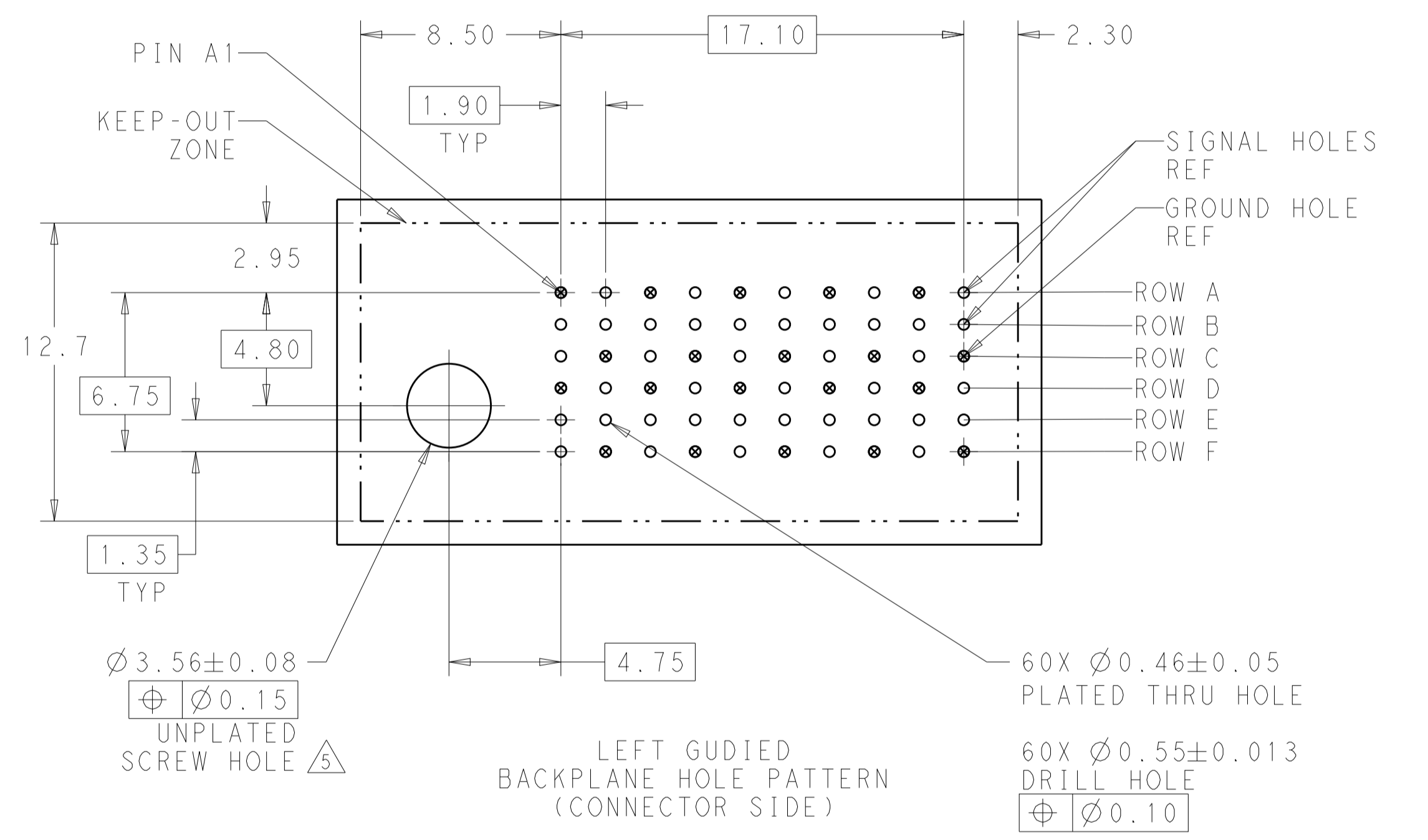


REVISIONS				
P.	LTM	DESCRIPTION	DATE	APVD
C1		REVISED PER ECO-15-003239	24MAR2015	AP DD



- ⚠ MATERIAL:
HOUSING: LCP, GLASS FILLED, UL94V-0.
TERMINALS: HIGH PERFORMANCE COPPER ALLOY.
- ⚠ FINISH:
30μ" MIN GOLD IN CONTACT AREA. SELECTIVE TIN ON PCB TAILS, NICKEL OVERALL.
- ⚠ FINISH:
30μ" MIN GOLD IN CONTACT AREA. SELECTIVE TIN-LEAD ON PCB TAILS, NICKEL OVERALL.
- 4. SCREWS PACKAGED IN END OF PACKAGING TUBE.
- ⚠ FOR GROUNDED GUIDE PIN USE Ø3.56±0.08 PTH, Ø3.66 DRILL, AND Ø6.5 PAD.



THIS DRAWING IS A CONTROLLED DOCUMENT.		DWN: R. COELLO 27APR2011	TE Connectivity
DIMENSIONS: mm		CHK: J. EARY 27APR2011	
TOLERANCES UNLESS OTHERWISE SPECIFIED:		APVD: J. EARY 27APR2011	NAME: IMPACT, 2 PAIR, 10 COLUMN, HEADER LEFT GUIDED, RIGHT END WALL SIGNAL MODULE, 0.46 PTH
0 PLC	±	PRODUCT SPEC	APPLICATION SPEC
1 PLC	±0.25	SIZE	CAGE CODE DRAWING NO
2 PLC	±0.13	WEIGHT	RESTRICTED TO
3 PLC	±	Customer Drawing	SCALE 6:1 SHEET 1 OF 2 REV C1
4 PLC	±		
ANGLES	±		
FINISH	SEE TABLE		

THIS DRAWING IS UNPUBLISHED.	RELEASED FOR PUBLICATION	20
© COPYRIGHT 20	BY -	ALL RIGHTS RESERVED.

REVISIONS					
P.	LTN	DESCRIPTION	DATE	DMN	APVD
-	-	SEE SHEET 1	-	-	-

FINISH	DIM M	PART NUMBER
	5.5	2057420-6
	4.9	2057420-5
	4.5	2057420-4
	5.5	2057420-3
	4.9	2057420-2
	4.5	2057420-1

REFER TO WWW.TE.COM
FOR PRODUCT AVAILABILITY

THIS DRAWING IS A CONTROLLED DOCUMENT.		DMN R. COELLO 27APR2011	
		CHK J. EARY 27APR2011	
DIMENSIONS:		APVD J. EARY 27APR2011	NAME
mm	TOLERANCES UNLESS OTHERWISE SPECIFIED:	PRODUCT SPEC	IMPACT, 2 PAIR, 10 COLUMN, HEADER
	0 PLC ±	APPLICATION SPEC	LEFT GUIDED, RIGHT END WALL
	1 PLC ±0.25	WEIGHT	SIGNAL MODULE, 0.46 PTH
	2 PLC ±0.13	Customer Drawing	SIZE CAGE CODE DRAWING NO RESTRICTED TO
	3 PLC ±		A100779C=2057420
	4 PLC ±		SCALE 5:1 SHEET 2 OF 2 REV C1
	ANGLES ±		
MATERIAL	FINISH		
-	SEE TABLE		
-	-		