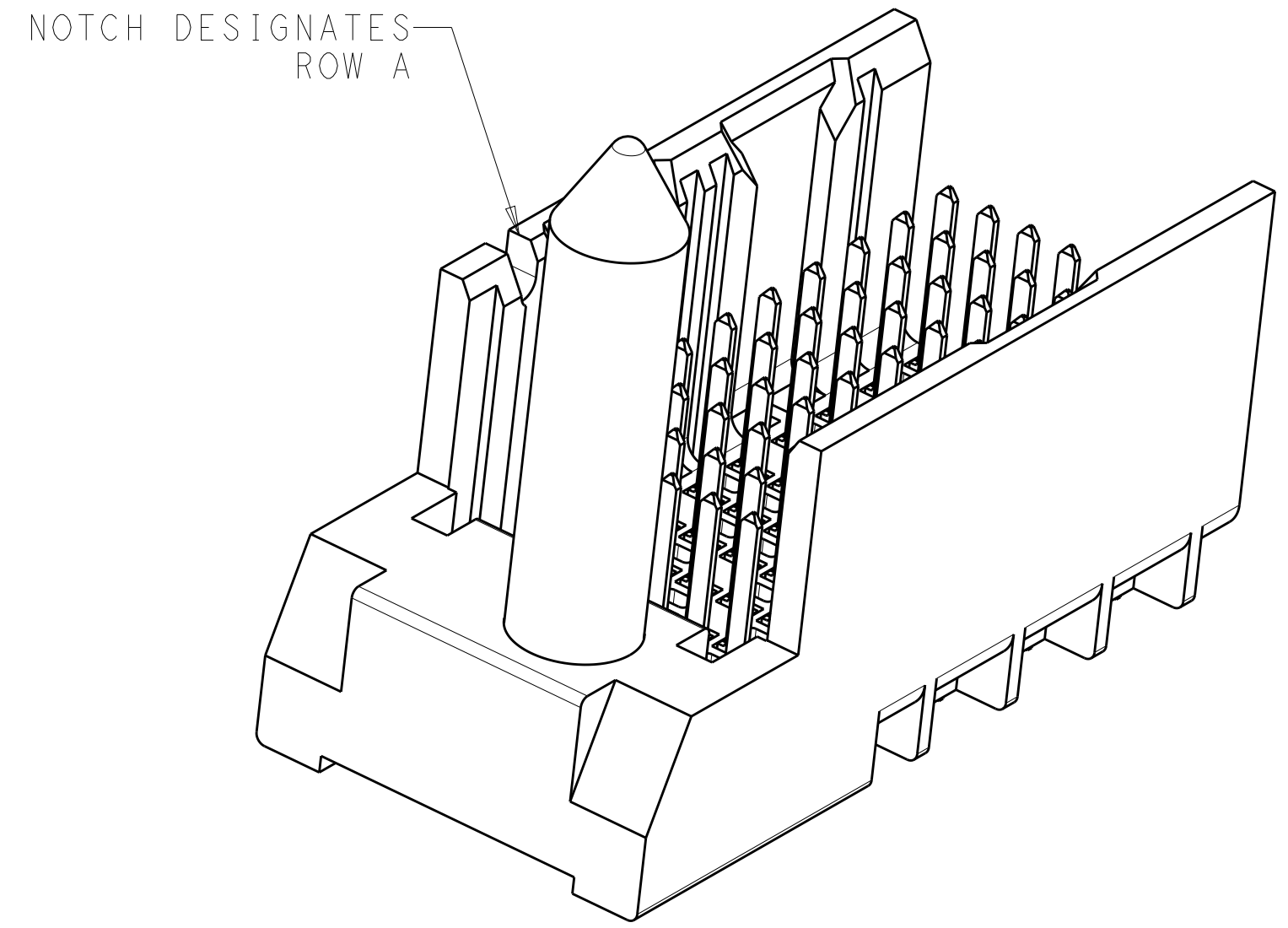
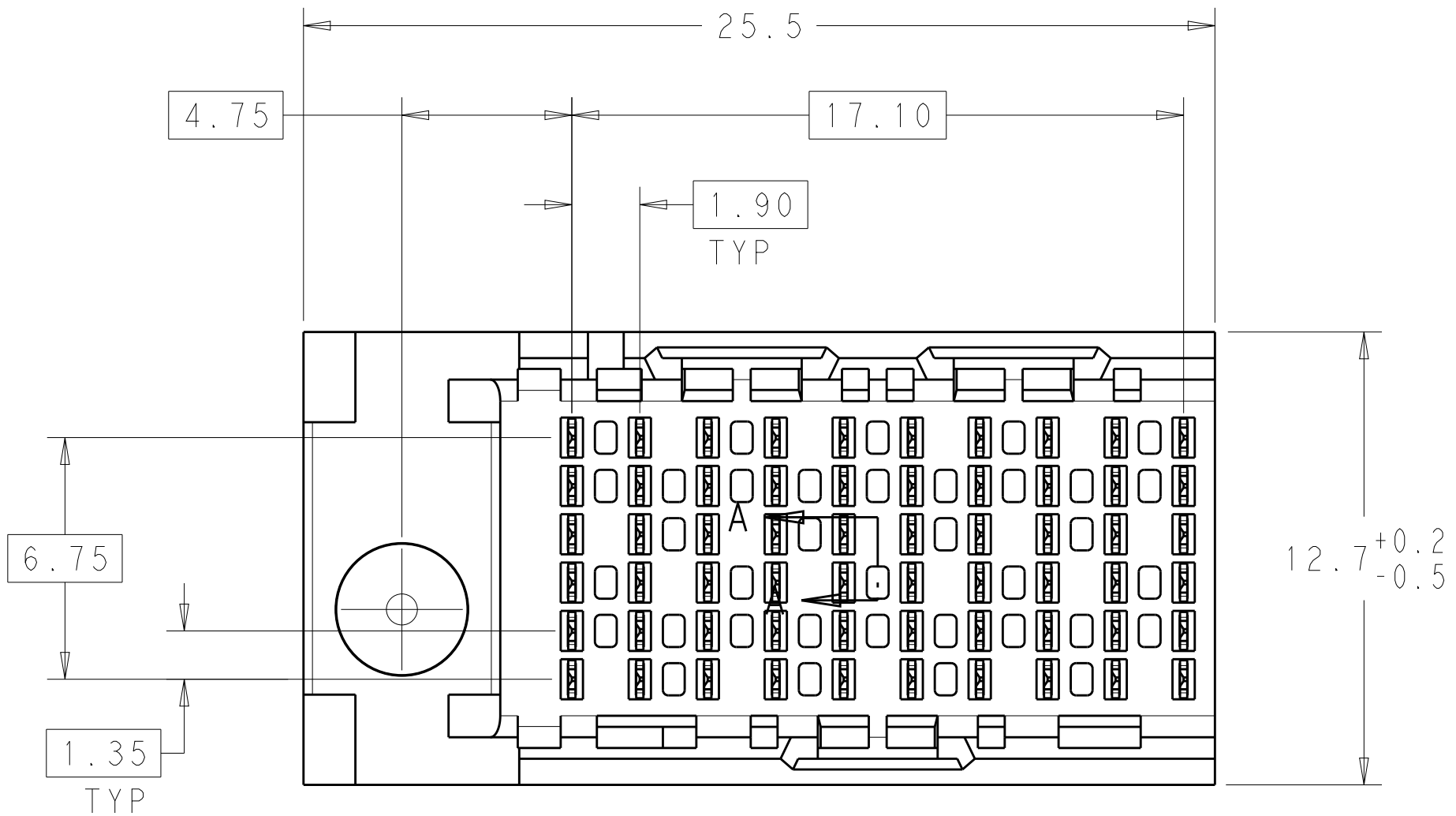
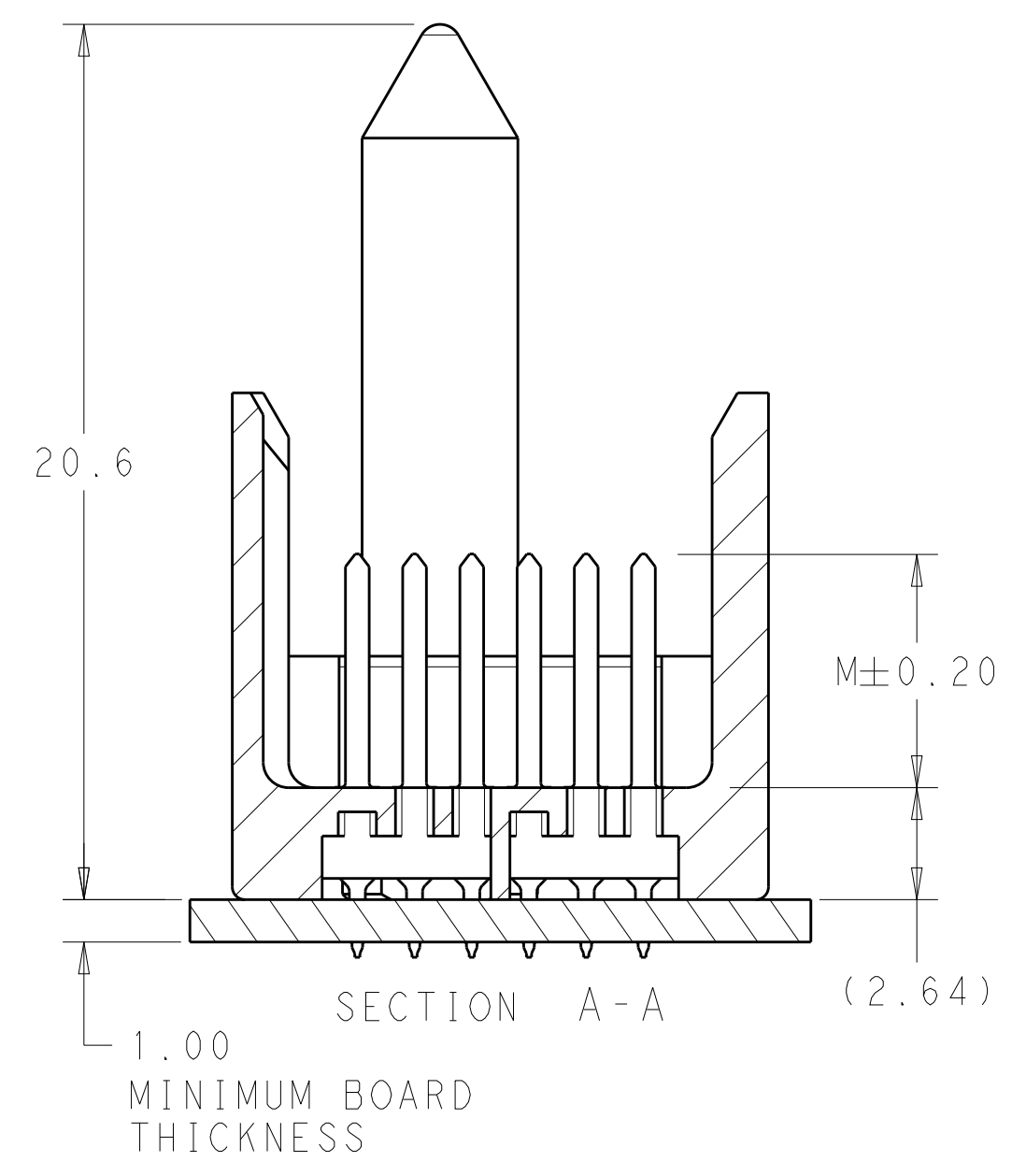
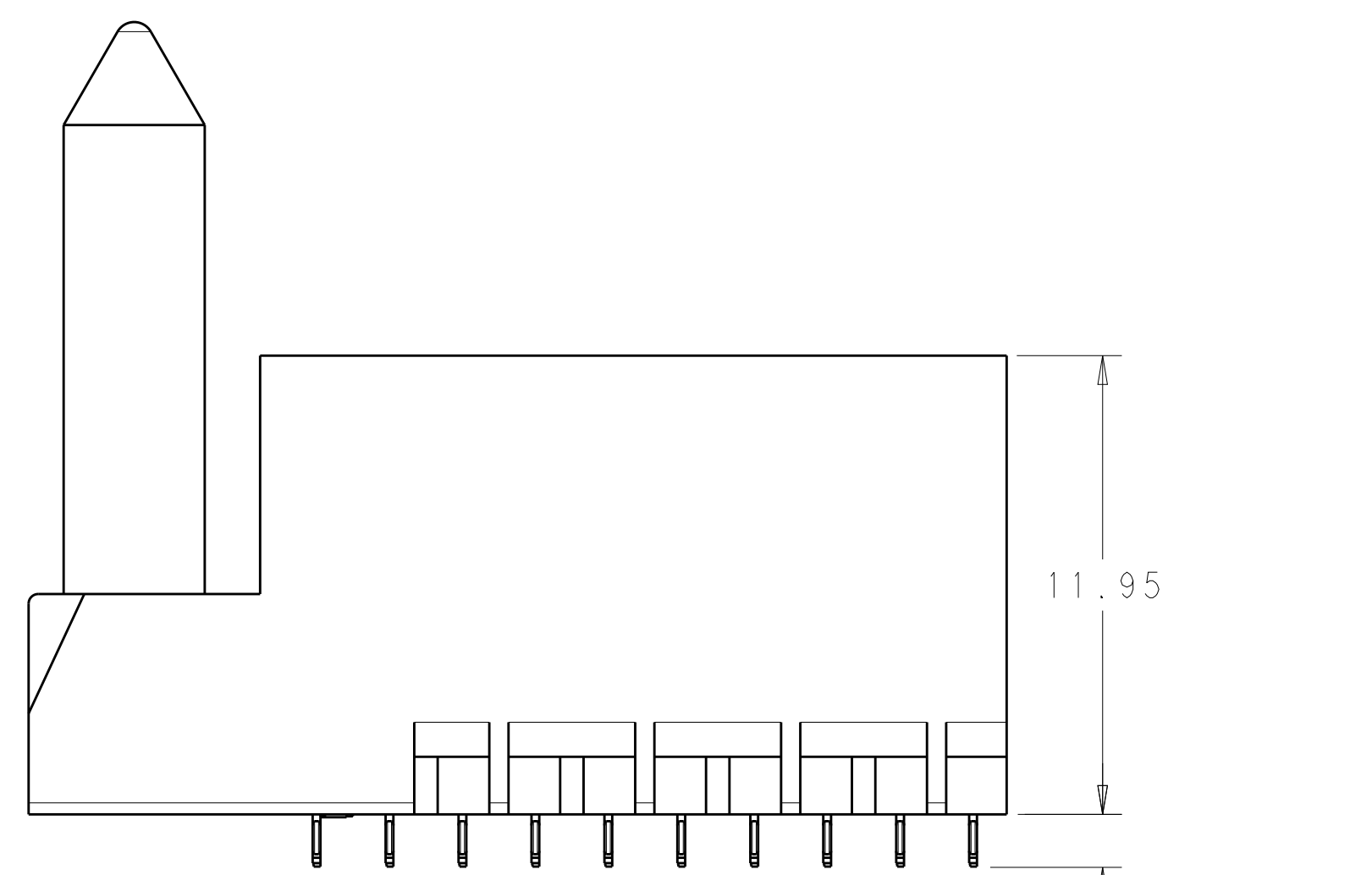
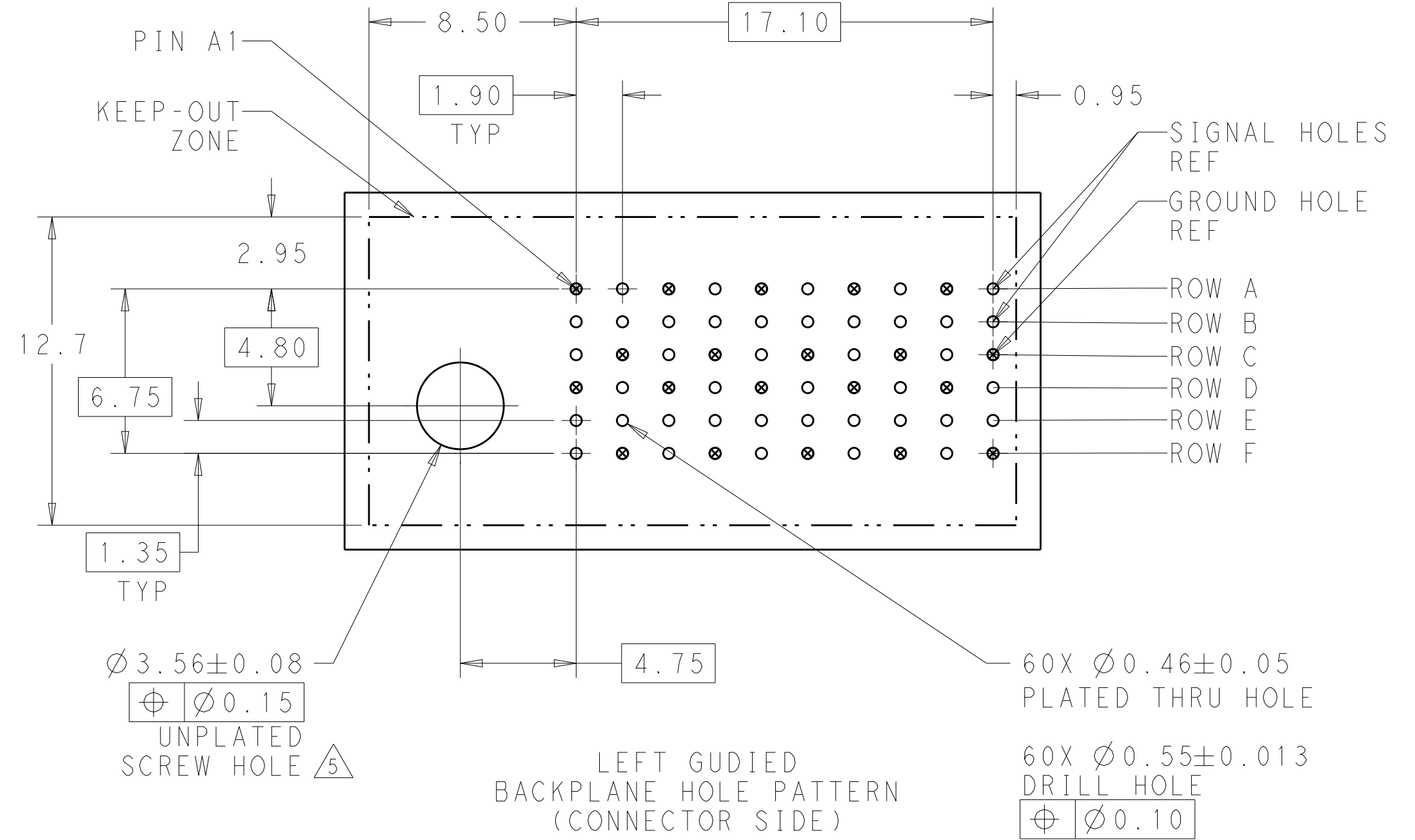


REVISIONS				
P.	LTN.	DESCRIPTION	DATE	APVD.
C1		REVISED PER ECO-15-003239	24MAR2015	AP DD



- ⚠ MATERIAL:  
HOUSING: LCP, GLASS FILLED, UL94V-0.  
TERMINALS: HIGH PERFORMANCE COPPER ALLOY.
- ⚠ FINISH:  
30μ" MIN GOLD IN CONTACT AREA. SELECTIVE TIN ON PCB TAILS, NICKEL OVERALL.
- ⚠ FINISH:  
30μ" MIN GOLD IN CONTACT AREA. SELECTIVE TIN-LEAD ON PCB TAILS, NICKEL OVERALL.
- 4. SCREWS PACKAGED IN END OF PACKAGING TUBE.
- ⚠ FOR GROUNDED GUIDE PIN USE Ø3.56±0.08 PTH, Ø3.66 DRILL, AND Ø6.5 PAD.



THIS DRAWING IS A CONTROLLED DOCUMENT.		DWN R. COELLO 27APR2011	TE Connectivity
DIMENSIONS: mm		CHK J. EARY 27APR2011	
TOLERANCES UNLESS OTHERWISE SPECIFIED:		APVD J. EARY 27APR2011	
0 PLC ± 1 PLC ±0.25 2 PLC ±0.13 3 PLC ± 4 PLC ± ANGLES ± FINISH SEE TABLE		NAME: IMPACT, 2 PAIR, 10 COLUMN, HEADER PRODUCT SPEC: LEFT GUIDED, OPEN END WALL APPLICATION SPEC: SIGNAL MODULE, 0.46 PTH SIZE: A100779 CAGE CODE: C=2057418 WEIGHT: - Customer Drawing	
MATERIAL: SEE TABLE		SCALE: 6:1	RESTRICTED TO: -
		SHEET 1 OF 2	REV: C1

THIS DRAWING IS UNPUBLISHED.	RELEASED FOR PUBLICATION	20
© COPYRIGHT 20	BY -	ALL RIGHTS RESERVED.

REVISIONS					
P.	LTN	DESCRIPTION	DATE	DMN	APVD
-	-	SEE SHEET 1	-	-	-

FINISH	DIM M	PART NUMBER
	5.5	2057418-6
	4.9	2057418-5
	4.5	2057418-4
	5.5	2057418-3
	4.9	2057418-2
	4.5	2057418-1

REFER TO WWW.TE.COM  
FOR PRODUCT AVAILABILITY

THIS DRAWING IS A CONTROLLED DOCUMENT.		DMN R. COELLO 27APR2011	
		CHK J. EARY 27APR2011	
DIMENSIONS:		APVD J. EARY 27APR2011	NAME
mm	TOLERANCES UNLESS OTHERWISE SPECIFIED:	PRODUCT SPEC	IMPACT, 2 PAIR, 10 COLUMN, HEADER
	0 PLC ±	APPLICATION SPEC	LEFT GUIDED, OPEN END WALL
	1 PLC ±0.25		SIGNAL MODULE, 0.46 PTH
	2 PLC ±0.13		
	3 PLC ±		
	4 PLC ±		
	ANGLES ±		
MATERIAL	FINISH	WEIGHT	SIZE
-	SEE TABLE	-	A100779C=2057418
-	-	Customer Drawing	RESTRICTED TO
		SCALE	SHEET
		5:1	2 OF 2
			REV C1