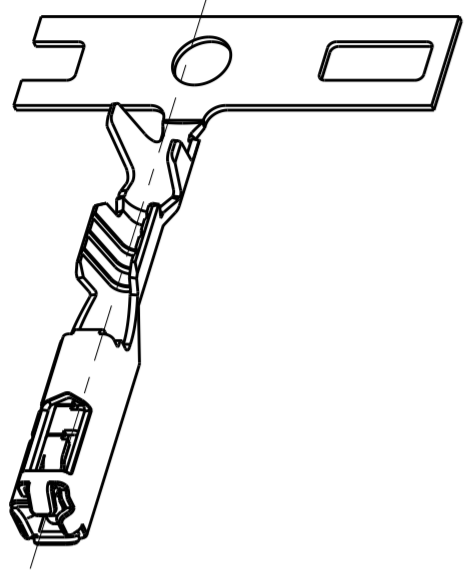
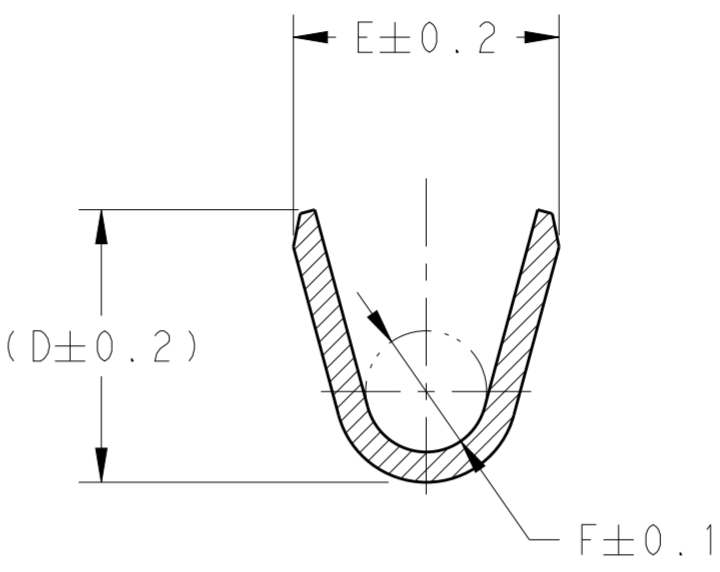
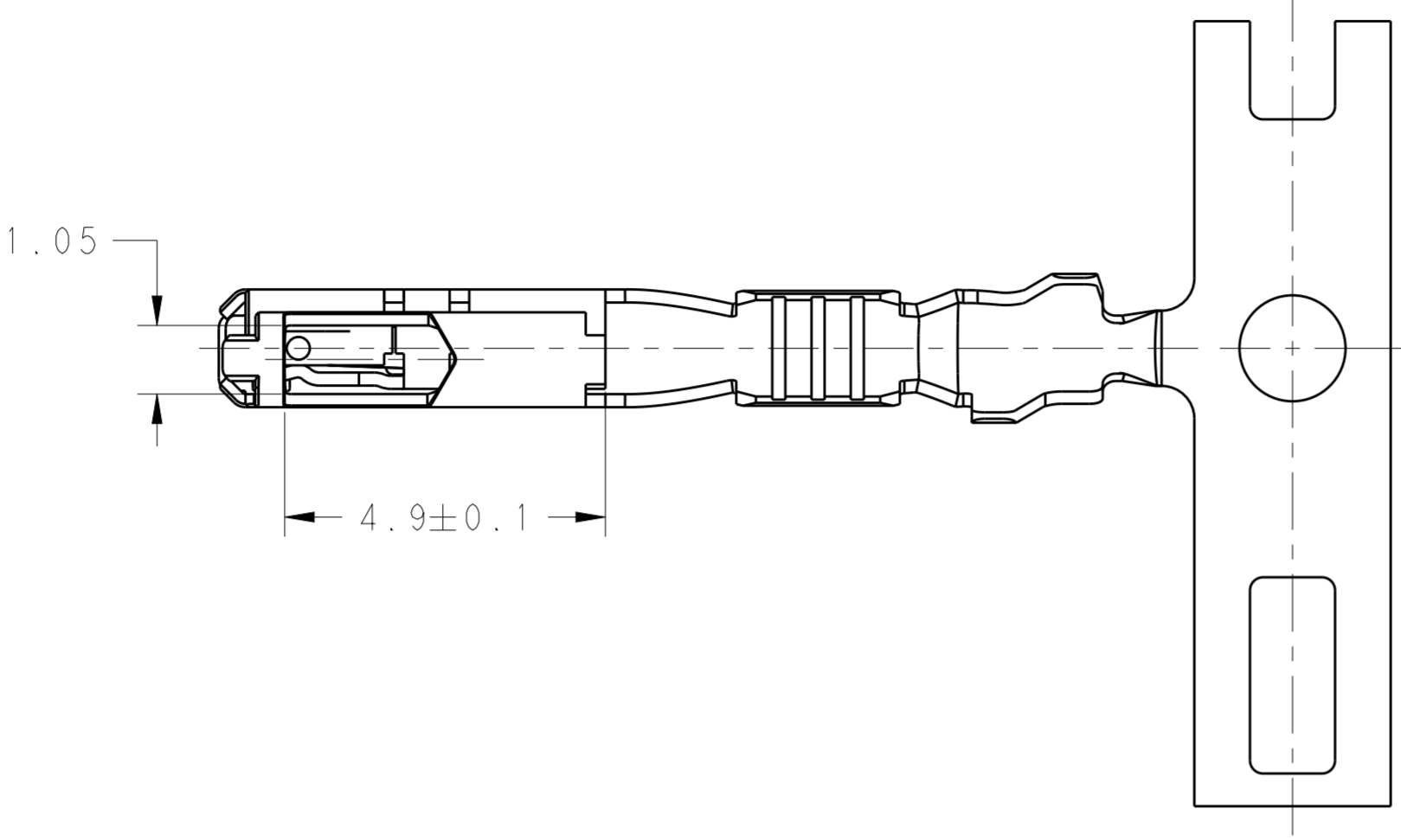


THIS DRAWING IS UNPUBLISHED. RELEASED FOR PUBLICATION 20
 © COPYRIGHT 20 BY - ALL RIGHTS RESERVED.

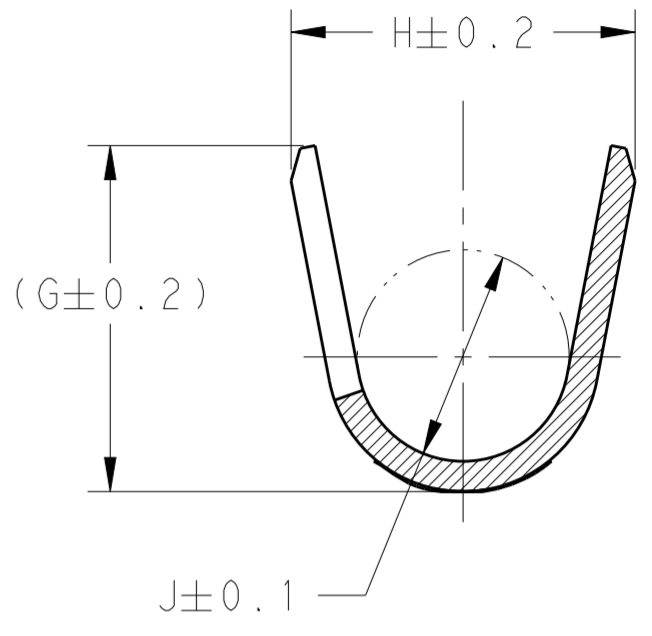
LOC	DIST	REVISIONS			
P	LTR	DESCRIPTION	DATE	DWN	APVD
ES	00				
	A	NEW DRAWING	05SEP12	S.W	I.Y
	B	ECR-13-009438	09JUN13	S.W	I.Y
	C	ECR-15-010908	30MAR16	O.Z	I.Y



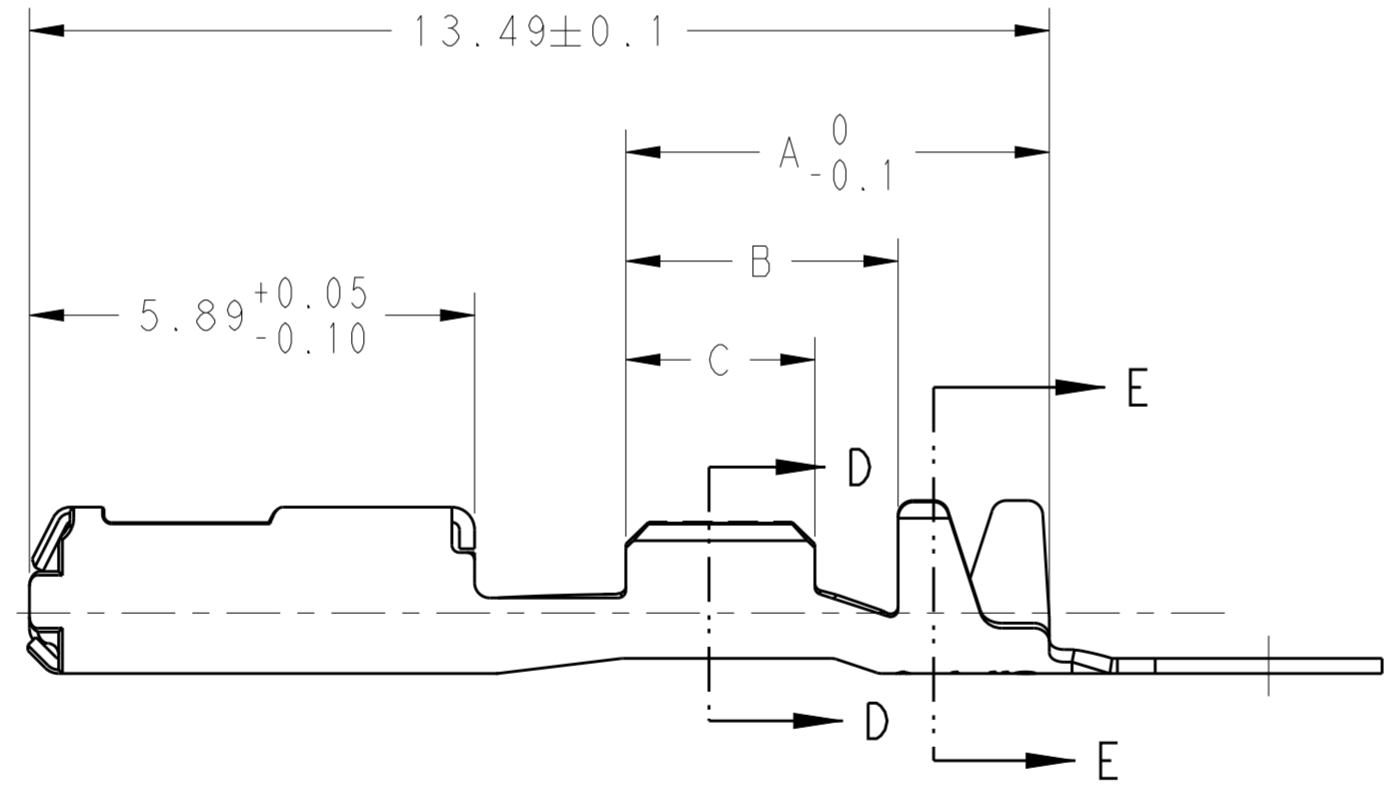
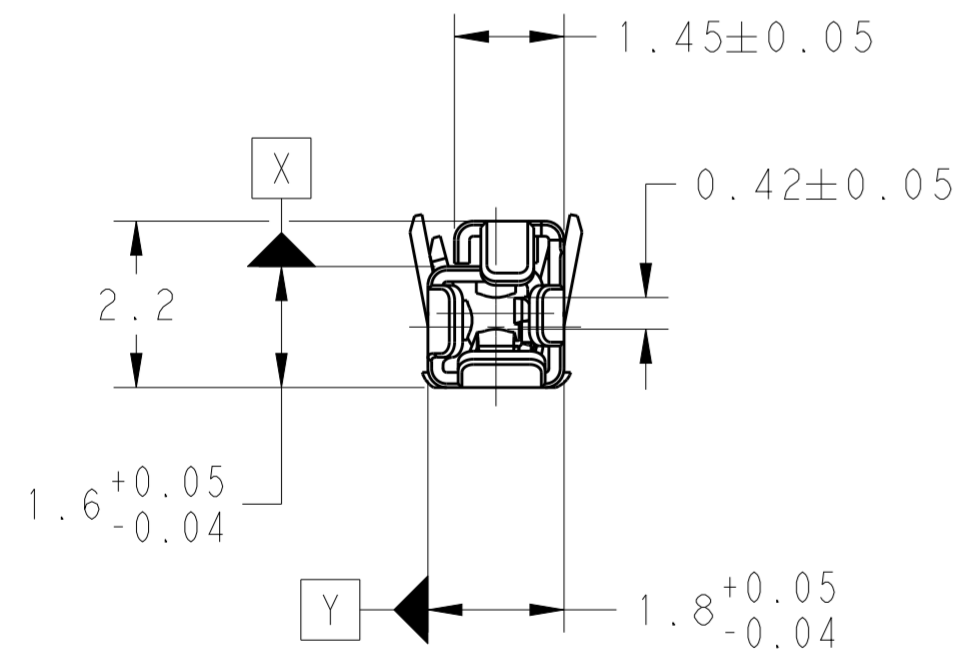
SCALE 5:1



SECTION D-D
SCALE 20:1



SECTION E-E
SCALE 20:1



- NOTE:
- SUITABLE FOR PIN CONTACT SEE DRAWING: 929453
 - FOR FLR-CONDUCTOR ACCORDING TO DIN 72551-6 ONLY

5.6	3.8	2.8	2.1	2	1	2.9	2.7	1.6	2050986-3
5.6	3.6	2.5	1.8	1.8	0.8	2.3	2.3	1.4	2050986-1
A	B	C	D	E	F	G	H	J	PART NO.

ORDER NO. STRIP FORM	MATERIAL	WIRE SIZE (mm ²)	SURFACE	ISULATION RANGE (mm)
2050986-3	CuSn8	0.5~0.75	PRE TIN PLATED	∅1.7~1.9
2050986-2	CuSn8 HF	0.35~0.5	TIN PLATED, NICKEL UNDERPLATED	∅1.15~1.6
2050986-1	CuSn8	0.35~0.5	PRE TIN PLATED	∅1.15~1.6

OBSELETE

THIS DRAWING IS A CONTROLLED DOCUMENT.

DIMENSIONS: mm	TOLERANCES UNLESS OTHERWISE SPECIFIED:	DWN S.WANG 05SEP2012	 TE Connectivity NAME REMO.64 TERMINAL,CLEAN BODY SIZE CAGE CODE DRAWING NO RESTRICTED TO A200779 C-2050986 SCALE 10:1 SHEET 1 OF 1 REV C
1 PLC ±0.3	2 PLC ±0.1 ±0.2	CHK J.CHANG 05SEP2012	
3 PLC ±0.001	PLC ANGLES ±0.001°	APVD I.YIN 05SEP2012	
FINISH		PRODUCT SPEC 108-101198	
MATERIAL SEE TABLE	SEE TABLE	APPLICATION SPEC 114-18021	WEIGHT 0.18G
CUSTOMER DRAWING			