

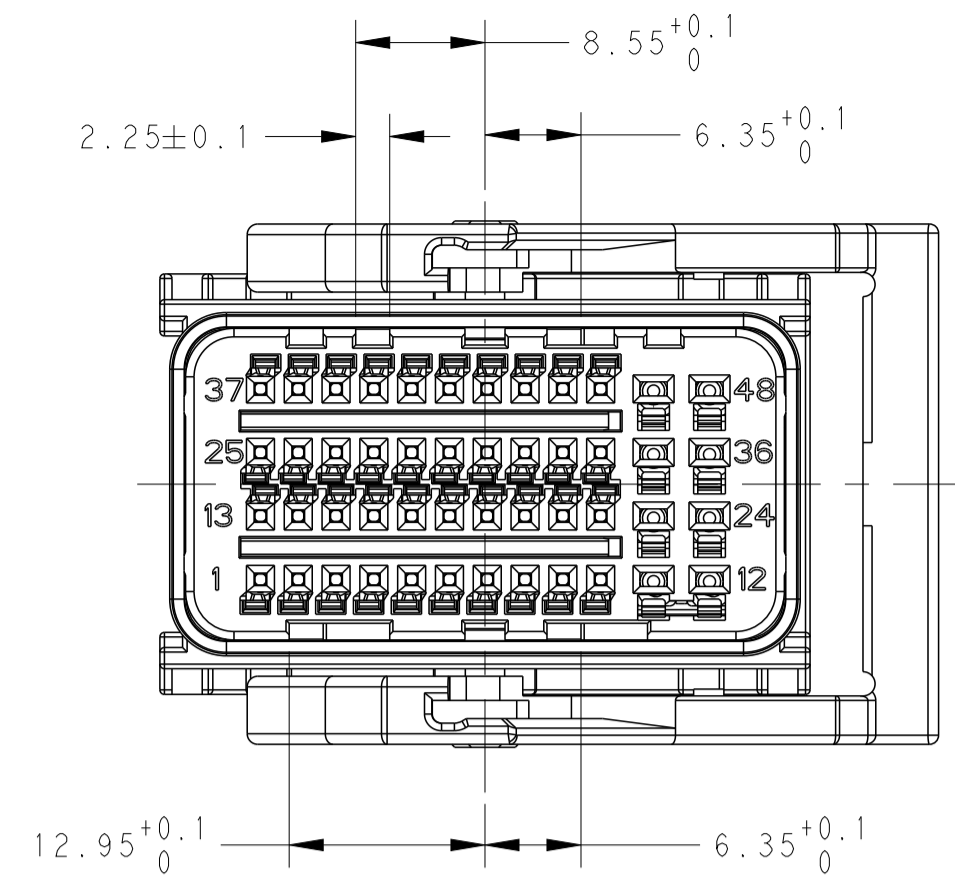
# CODING 1

LOC	DIST	REV	DATE	BY	CHK	APPV
ES	00					

REVISONS		DATE	BY	CHK	APPV
D3	ECR-20-011405	12AUG2020	J.L	J.Y	
D4	ECN-21-115526	31AUG2021	J.L	J.Z	
D5	ECN-22-142480 (DRAWING UPDATE ONLY)	08MAR2022	J.L	J.Z	
D6	ECN-22-178412	10OCT22	W.H	J.Z	

CAVITY NO.		PINOUT CONFIGURATION																																																		
1	2	3	4	5	6	7	8	9	10	11	12	13	14	15	16	17	18	19	20	21	22	23	24	25	26	27	28	29	30	31	32	33	34	35	36	37	38	39	40	41	42	43	44	45	46	47	48					
2050981-7	2050982-5	X		X		X		X		X														X																												
2050981-4	2050982-4	X	X	X	X	X	X	X	X	X	X	X	X	X	X	X	X	X	X	X	X	X	X	X	X	X	X	X	X	X	X	X	X	X	X	X	X	X	X	X	X	X	X	X	X	X	X	X	X	X	X	
2050981-3	2050982-3	X	X	X	X	X	X	X	X	X	X	X	X	X	X	X	X	X	X	X	X	X	X	X	X	X	X	X	X	X	X	X	X	X	X	X	X	X	X	X	X	X	X	X	X	X	X	X	X	X	X	X
2050981-2	2050982-2		X	X	X	X	X	X	X	X	X	X	X	X	X	X	X	X	X	X	X	X	X	X	X	X	X	X	X	X	X	X	X	X	X	X	X	X	X	X	X	X	X	X	X	X	X	X	X	X	X	X
2050981-1	2050982-1	X	X	X	X	X	X	X	X	X	X	X	X	X	X	X	X	X	X	X	X	X	X	X	X	X	X	X	X	X	X	X	X	X	X	X	X	X	X	X	X	X	X	X	X	X	X	X	X	X	X	X
PACKING PN	TE PN (48P MIXED HOUSING)	1	2	3	4	5	6	7	8	9	10	11	12	13	14	15	16	17	18	19	20	21	22	23	24	25	26	27	28	29	30	31	32	33	34	35	36	37	38	39	40	41	42	43	44	45	46	47	48			

BLANKED CAVITIES INDICATE CLOSED LOCATIONS  
 WITH "X" MARKED CAVITIES INDICATE OPEN LOCATIONS

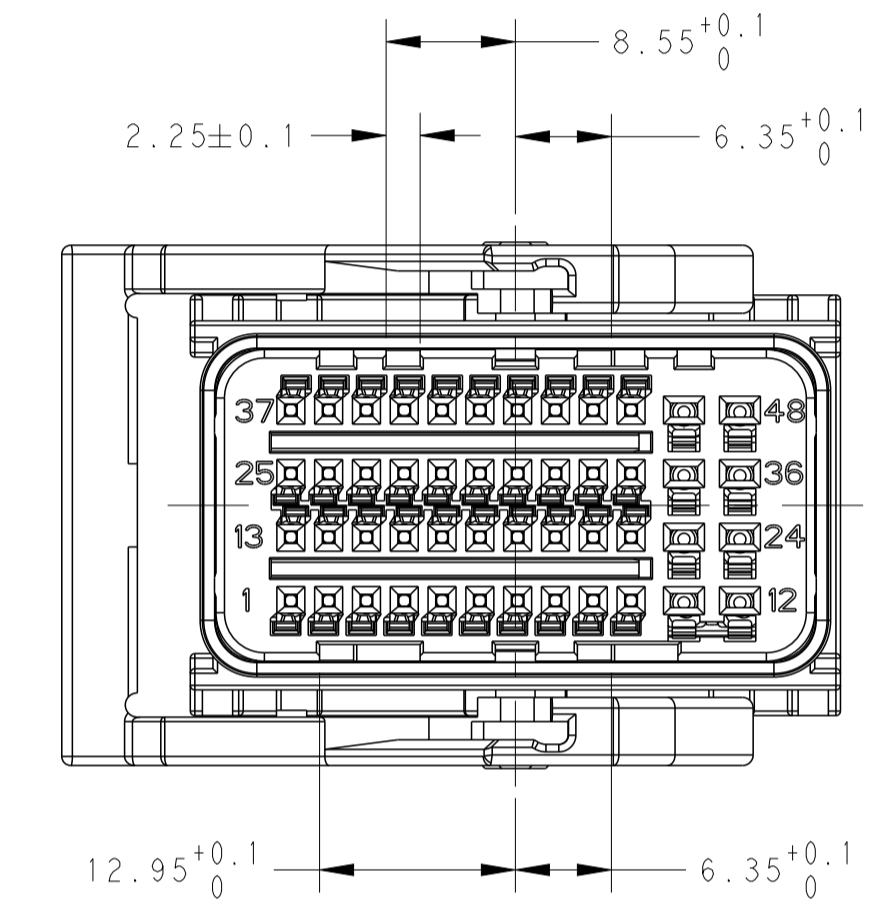


**CODING 1  
 BLACK  
 LEVER RIGHT  
 CABLE EXIT LEFT  
 PN 2050982**

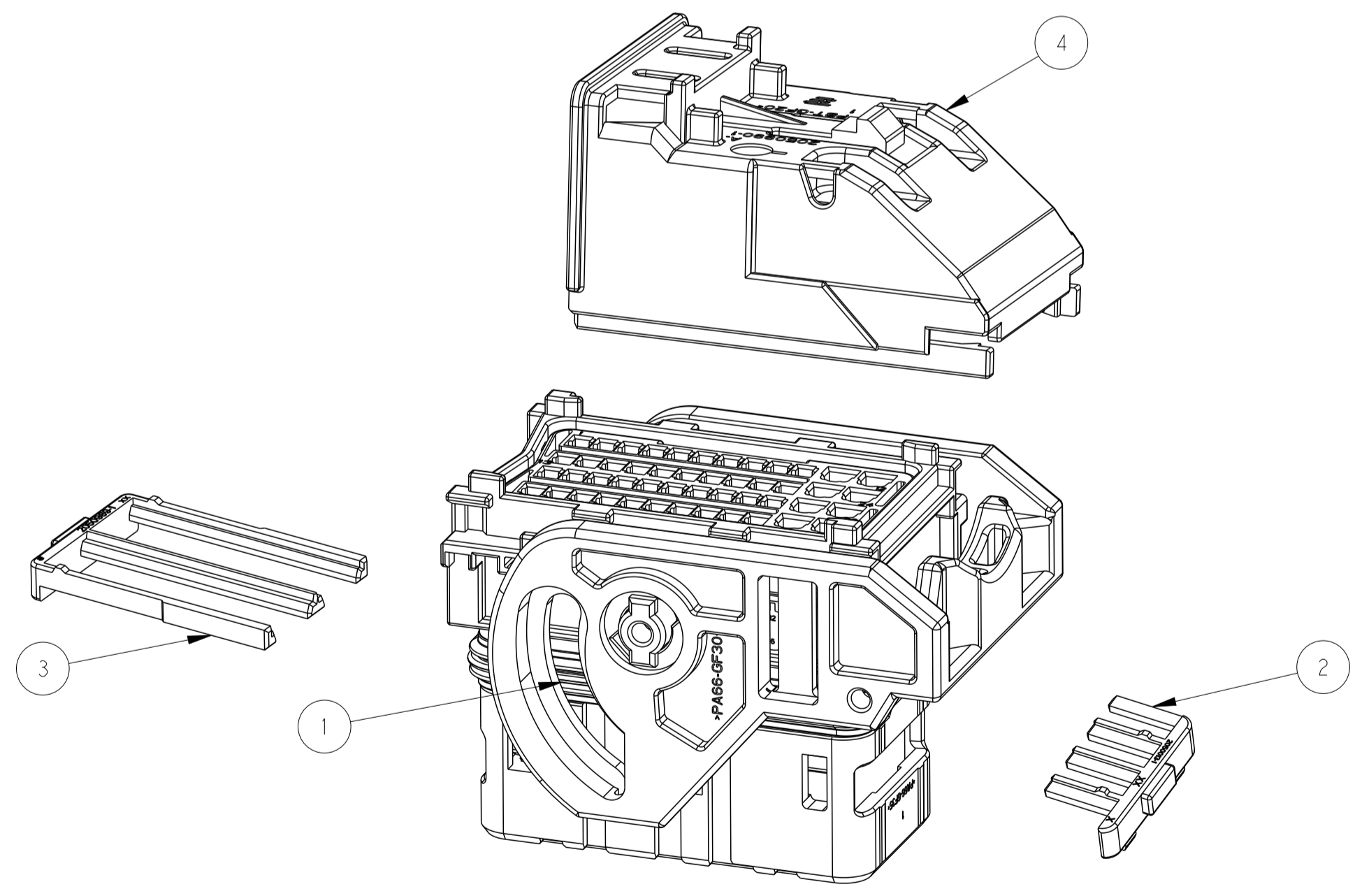
# CODING 1

CAVITY NO.		PINOUT CONFIGURATION																																																			
1	2	3	4	5	6	7	8	9	10	11	12	13	14	15	16	17	18	19	20	21	22	23	24	25	26	27	28	29	30	31	32	33	34	35	36	37	38	39	40	41	42	43	44	45	46	47	48						
2137489-3	2137289-3	X		X		X		X		X														X																													
2137489-2	2137289-2		X	X	X	X	X	X	X	X	X	X	X	X	X	X	X	X	X	X	X	X	X	X	X	X	X	X	X	X	X	X	X	X	X	X	X	X	X	X	X	X	X	X	X	X	X	X	X	X	X	X	
2137489-1	2137289-1	X	X	X	X	X	X	X	X	X	X	X	X	X	X	X	X	X	X	X	X	X	X	X	X	X	X	X	X	X	X	X	X	X	X	X	X	X	X	X	X	X	X	X	X	X	X	X	X	X	X	X	X
PACKING PN	TE PN (48P MIXED HOUSING)	1	2	3	4	5	6	7	8	9	10	11	12	13	14	15	16	17	18	19	20	21	22	23	24	25	26	27	28	29	30	31	32	33	34	35	36	37	38	39	40	41	42	43	44	45	46	47	48				

BLANKED CAVITIES INDICATE CLOSED LOCATIONS  
 WITH "X" MARKED CAVITIES INDICATE OPEN LOCATIONS



**CODING 1  
 BLACK  
 LEVER LEFT  
 CABLE EXIT RIGHT  
 PN 2137289**



1	1	1	1	1	1	1	1	1	1	1	1	1	2050990-1	COVER	4
1	1	1	1	1	1	1	1	1	1	1	1	1	2050989-1	2ND LOCK MOS	3
1	1	1	1	1	1	1	1	1	1	1	1	1	2050013-2	2ND LOCK 1.5	2
1													X-2137903-X	48P MIXED HOUSING CODE 6, YELLOW	1
	1												X-2137902-X	48P MIXED HOUSING CODE 64, YELLOW	1
		1											X-2137901-X	48P MIXED HOUSING CODE 5, BLUE	1
			1										X-2137900-X	48P MIXED HOUSING CODE 5, BLUE	1
				1									X-2137899-X	48P MIXED HOUSING CODE 4, GREEN	1
					1								X-2137898-X	48P MIXED HOUSING CODE 4, GREEN	1
						1							X-2137293-X	48P MIXED HOUSING CODE 3, BROWN	1
							1						X-2137292-X	48P MIXED HOUSING CODE 3, BROWN	1
								1					X-2137291-X	48P MIXED HOUSING CODE 2, GREY	1
									1				X-2137290-X	48P MIXED HOUSING CODE 2, GREY	1
										1			X-2137289-X	48P MIXED HOUSING CODE 1, BLACK	1
											1		X-2050982-X	48P MIXED HOUSING CODE 1, BLACK	1
X-2137909-X	X-2137908-X	X-2137907-X	X-2137906-X	X-2137905-X	X-2137904-X	X-2137493-X	X-2137492-X	X-2137491-X	X-2137490-X	X-2137489-X	X-2050981-X		PART NO.	DESCRIPTION	ITEM

PACKING PART NO. AND Q'TY

NOTES:  
 1. EQUAL QUANTITY OF COMPONENTS TO BE PACKAG TOGETHER IN SAME SHIPPING BOX.  
 2. APPLICATION TERMINALS SEE TABLE.  
 3. SPECIAL TERMINAL PERFORMANCE SEE RELEVANT SPEC.

APPLICATION TERMINALS					
TO.64	1355900	X-968220-X	0.35	Ø1.2 - 1.3	BLIND PLUG 1394871-1
	2050986	X-968221-X	0.5 - 0.75	Ø1.4 - 1.9	
T1.5	638652	638652-2	0.5 - 1.00	Ø1.4 - 2.1	BLIND PLUG 1670108-1
	638652-1	638652-1	1.0 - 1.5	Ø1.9 - 2.4	
TERMINALS	REFER TO DRAWING	TE PN	WIRE SIZE (mm <sup>2</sup> )	WIRE SIZE DIAMETER (mm)	NOTES

THIS DRAWING IS A CONTROLLED DOCUMENT.

DIMENSIONS: mm

TOLERANCES UNLESS OTHERWISE SPECIFIED:  
 0-PLC ±0.1  
 1-PLC ±0.2  
 2-PLC ±0.3  
 3-PLC ±0.4  
 4-PLC ±0.5  
 ANGLES ±0.5

MATERIAL: - FINISH: -

OWN: B. PU 26AUG2010  
 CHK: Y. YANG 26AUG2010  
 APVD: K. ODA 02NOV2010

PRODUCT SPEC: -  
 APPLICATION SPEC: 114-18761-1  
 WEIGHT: 38.47g

**STE** TE Connectivity  
 48POS. MIXED RECEPTACLE HOUSING 40xMQS AND 8x1.5

SIZE: A1 CAGE CODE: 2050981 DRAWING NO: 114-18761-1  
 RESTRICTED TO: -

CUSTOMER DRAWING SCALE: 1:1 SHEET 1 OF 6 REV: D6

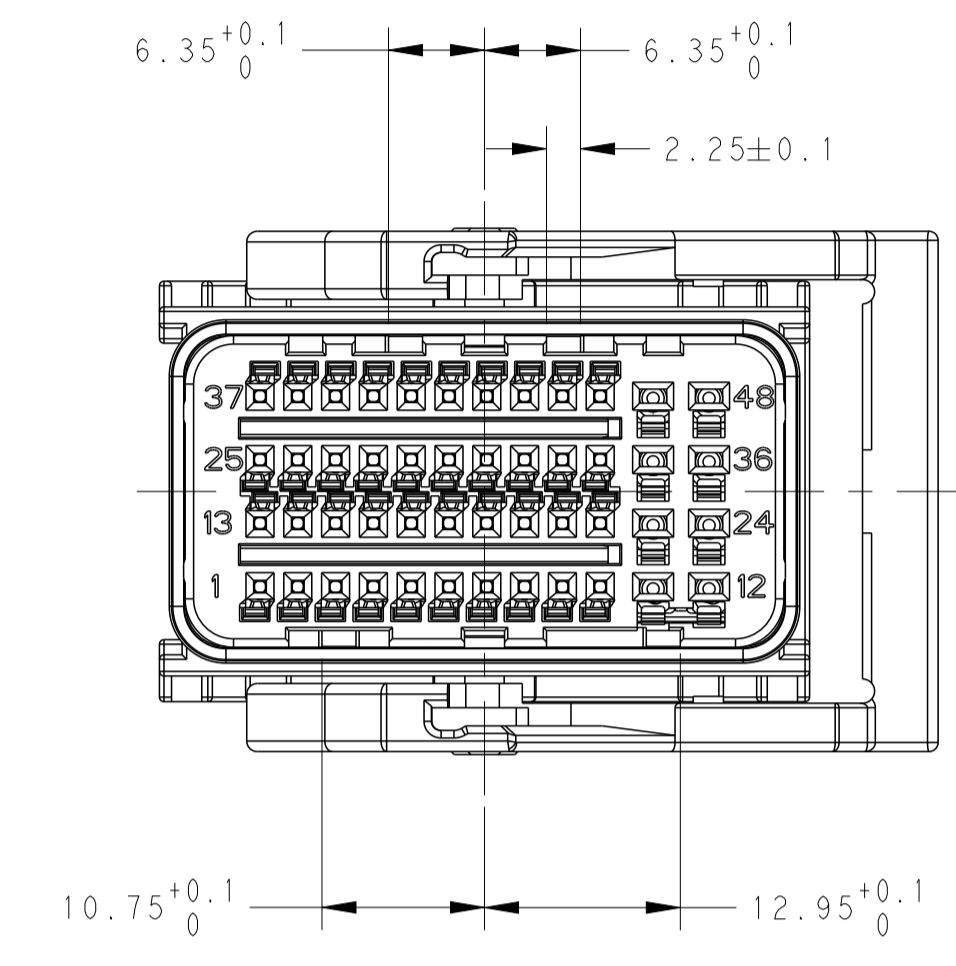




LOC	DIST	REVISIONS					
ES	00	P	LTN	DESCRIPTION	DATE	DMN	APVD
		-		SEE SHEET 1		-	-

# CODING 4

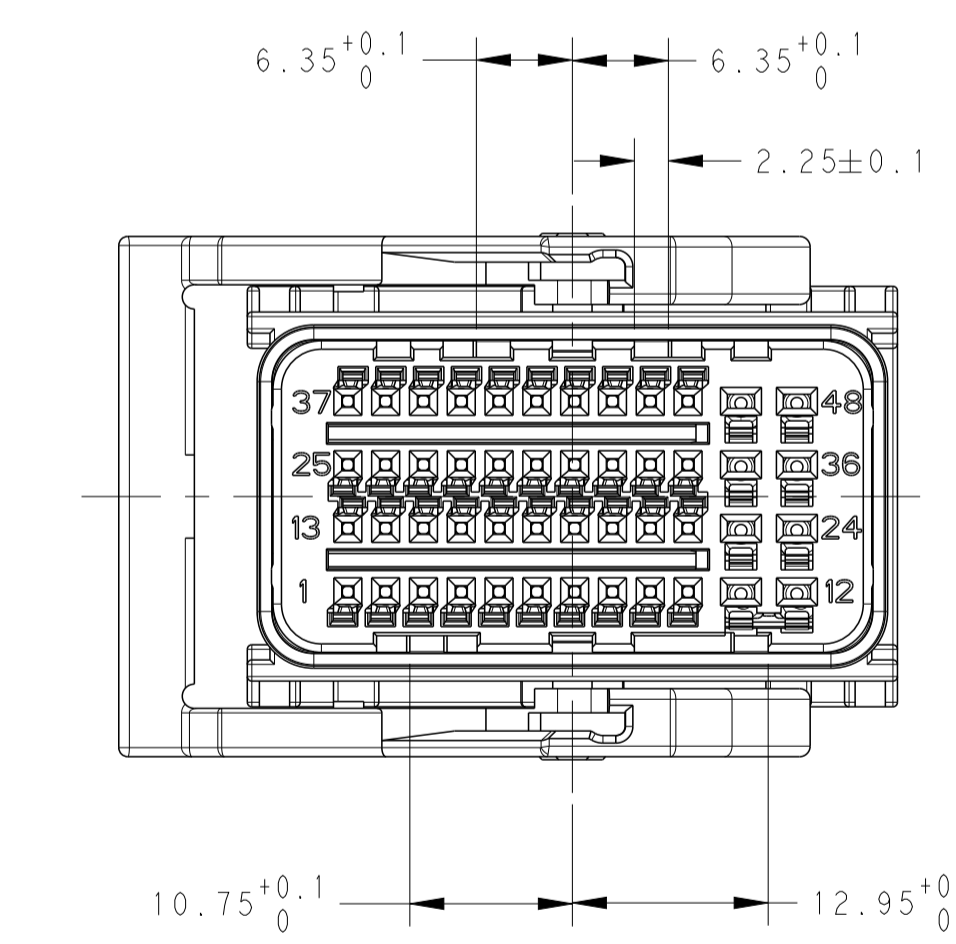
CAVITY NO.		1	2	3	4	5	6	7	8	9	10	11	12	13	14	15	16	17	18	19	20	21	22	23	24	25	26	27	28	29	30	31	32	33	34	35	36	37	38	39	40	41	42	43	44	45	46	47	48				
2137904-3	2137898-3	X	X	X	X		X	X	X	X	X						X	X	X	X	X	X	X					X	X	X			X	X	X	X	X	X	X	X	X	X	X	X	X	X	X	X	X	X	X		
2137904-2	2137898-2	X		X	X	X					X	X	X	X	X	X	X	X	X	X	X	X	X	X	X	X	X	X	X	X	X	X	X	X	X	X	X	X	X	X	X	X	X	X	X	X	X	X	X	X	X	X	X
2137904-1	2137898-1	X	X	X	X	X	X	X	X	X	X	X	X	X	X	X	X	X	X	X	X	X	X	X	X	X	X	X	X	X	X	X	X	X	X	X	X	X	X	X	X	X	X	X	X	X	X	X	X	X	X	X	X
PACKING PN	TE PN (48P MIXED HOUSING)	1	2	3	4	5	6	7	8	9	10	11	12	13	14	15	16	17	18	19	20	21	22	23	24	25	26	27	28	29	30	31	32	33	34	35	36	37	38	39	40	41	42	43	44	45	46	47	48				
BLANKED CAVITIES INDICATE CLOSED LOCATIONS																																																					
WITH "X" MARKED CAVITIES INDICATE OPEN LOCATIONS																																																					



**CODING 4  
 GREEN  
 LEVER RIGHT  
 CABLE EXIT LEFT  
 PN 2137898**

# CODING 4

CAVITY NO.		1	2	3	4	5	6	7	8	9	10	11	12	13	14	15	16	17	18	19	20	21	22	23	24	25	26	27	28	29	30	31	32	33	34	35	36	37	38	39	40	41	42	43	44	45	46	47	48				
2137905-2	2137899-2	X	X	X	X					X	X	X	X	X	X	X	X	X	X	X	X	X	X	X	X	X	X	X	X	X	X	X	X	X	X	X	X	X	X	X	X	X	X	X	X	X	X	X	X	X	X	X	
2137905-1	2137899-1	X	X	X	X	X	X	X	X	X	X	X	X	X	X	X	X	X	X	X	X	X	X	X	X	X	X	X	X	X	X	X	X	X	X	X	X	X	X	X	X	X	X	X	X	X	X	X	X	X	X	X	X
PACKING PN	TE PN (48P MIXED HOUSING)	1	2	3	4	5	6	7	8	9	10	11	12	13	14	15	16	17	18	19	20	21	22	23	24	25	26	27	28	29	30	31	32	33	34	35	36	37	38	39	40	41	42	43	44	45	46	47	48				
BLANKED CAVITIES INDICATE CLOSED LOCATIONS																																																					
WITH "X" MARKED CAVITIES INDICATE OPEN LOCATIONS																																																					



**CODING 4  
 GREEN  
 LEVER LEFT  
 CABLE EXIT RIGHT  
 PN 2137899**

THIS DRAWING IS A CONTROLLED DOCUMENT.		DMN B. PU 26AUG2010	TE Connectivity NAME: 48POS. MIXED RECEPTACLE HOUSING 40xMQS AND 8x1.5
DIMENSIONS: mm		CHK Y. YANG 26AUG2010	
TOLERANCES UNLESS OTHERWISE SPECIFIED:		APVD K. ODA 02NOV2010	PRODUCT SPEC
0-PLC ±.1 1-PLC ±0.3 2-PLC ±0.3 3-PLC ±0.3 4-PLC ±0.3 ANGLES ±.5		APPLICATION SPEC	RESTRICTED TO
MATERIAL		SEE SHEET 1	SIZE: A1
		WEIGHT	CAGE CODE: 00779
		CUSTOMER DRAWING	DRAWING NO: 2050981
		SCALE: 1:1	SHEET 4 OF 6
			REV: D6



