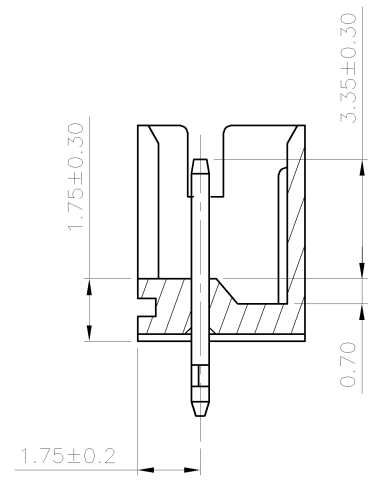
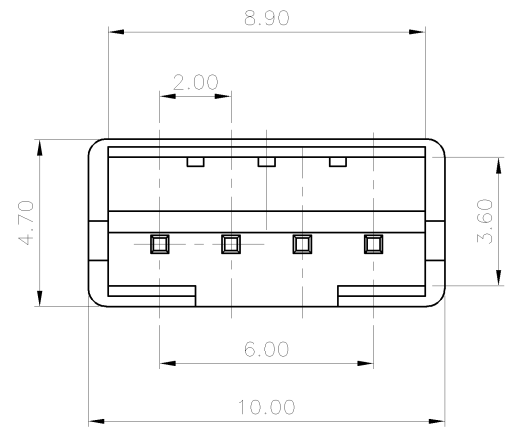
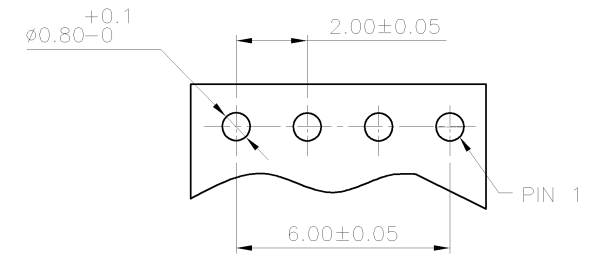


THIS DRAWING IS UNPUBLISHED. RELEASED FOR PUBLICATION
 © COPYRIGHT 2011 BY TYCO ELECTRONICS CORPORATION. ALL RIGHTS RESERVED.

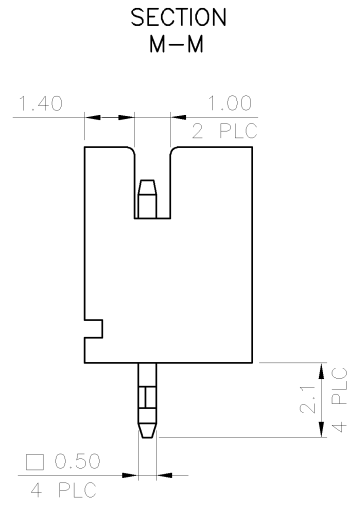
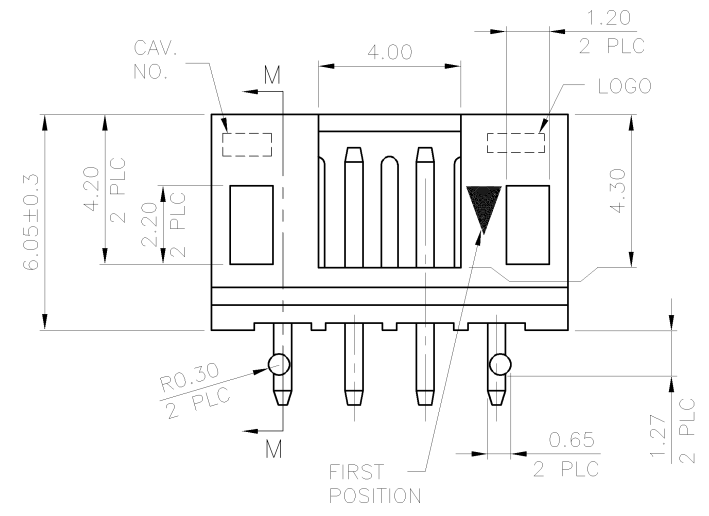
LOC		DIST		REVISIONS				
DW		P	LTR	DESCRIPTION	DATE	DWN	APVD	
		A		RELEASED	13MAR13	JL	WK	



- NOTES:
- MATERIAL:
HOUSING: NYLON 66, UL94V-0, NATURAL COLOR.
CONTACT: BRASS, THICKNESS=0.50mm.
 - FINISH:
2.03um[80u"] MIN. BRIGHT-TIN PLATING ON CONTACT.
1.27um[50u"] MIN. NICKEL ENTIRE CONTACT UNDERPLATED.
 - WAVE SOLDER CAPABLE TO 265°C PER TEST SPEC.
109-202, CONDITION B.



RECOMMENDED P.C.B LAYOUT
THICKNESS: 1.0~1.6MM

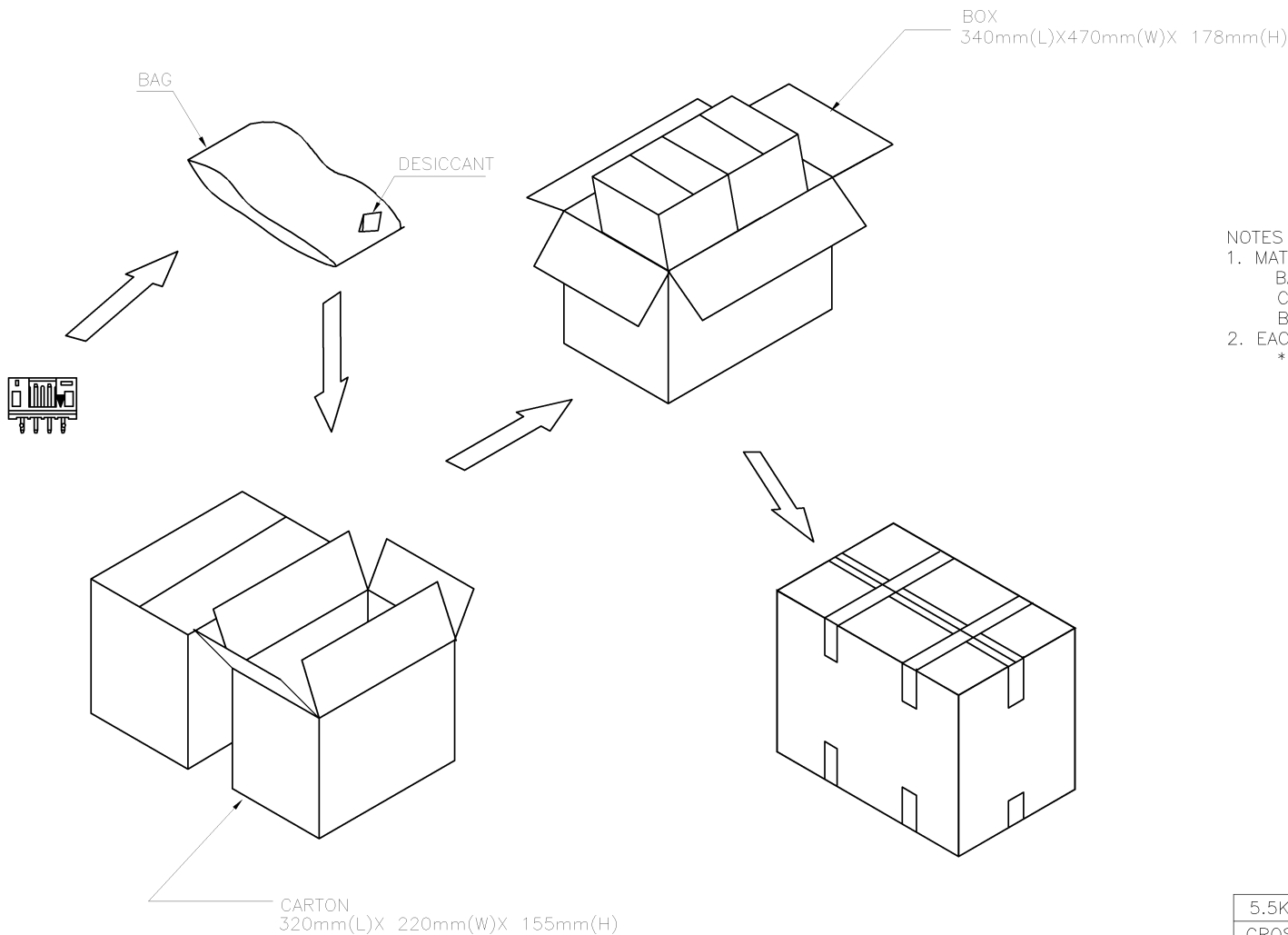


2041543-4
PART NUMBER

THIS DRAWING IS A CONTROLLED DOCUMENT.		DWN J. LAI	13MAR2013	TE Connectivity				
DIMENSIONS: mm		CHK S. CHIEN	13MAR2013					
TOLERANCES UNLESS OTHERWISE SPECIFIED:		APVD W. KODAMA	13MAR2013	NAME				
0 PLC ± - 1 PLC ± 0.3 2 PLC ± 0.2 3 PLC ± 0.15 4 PLC ± - ANGLES ± 3'		PRODUCT SPEC 108-57100		HPI CONNECTOR 2.0 PITCH, VERTICAL, DIP TYPE				
MATERIAL SEE NOTE		FINISH SEE NOTE		APPLICATION SPEC	SIZE A3	CAGE CODE 00779	DRAWING NO. C=2041543	RESTRICTED TO
CUSTOMER DRAWING				WEIGHT 0.162 GRAMS	SCALE	SHEET 1 of 2	REV A	

THIS DRAWING IS UNPUBLISHED. RELEASED FOR PUBLICATION
© COPYRIGHT 2011 BY TYCO ELECTRONICS CORPORATION. ALL RIGHTS RESERVED.

LOC	DIST	REVISIONS					
DW		P	LTR	DESCRIPTION	DATE	DWN	APVD
				SEE SHEET 1.			



NOTES :

- MATERIAL :
 BAG : PE
 CARTON : CORRUGATED FIBER
 BOX : CORRUGATED FIBER
- EACH BAG SHALL BE INCLUDED:
 *DESICCANT

5.5KG	4KG	650	20,800	2041543-4
GROSS WEIGHT	NET WEIGHT	PCS/BAG	PCS/BOX	PART NUMBER

THIS DRAWING IS A CONTROLLED DOCUMENT.		DWN	STE TE Connectivity		
DIMENSIONS: mm		CHK			
TOLERANCES UNLESS OTHERWISE SPECIFIED:		APVD	NAME		
0 PLC ± -		PRODUCT SPEC	HPI CONNECTOR		
1 PLC ± 0.3		APPLICATION SPEC	2.0 PITCH, VERTICAL, DIP TYPE		
2 PLC ± 0.2		WEIGHT	SIZE	CAGE CODE	DRAWING NO
3 PLC ± 0.15		CUSTOMER DRAWING	A3	00779	C=2041543
4 PLC ± -			RESTRICTED TO	-	
ANGLES ± - ± 3'		SCALE	SHEET		REV
MATERIAL		-		2 of 2	A