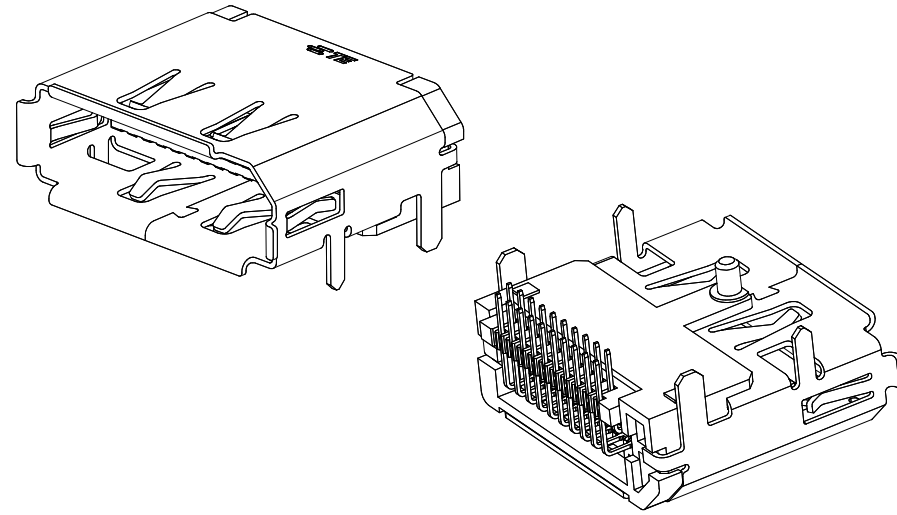
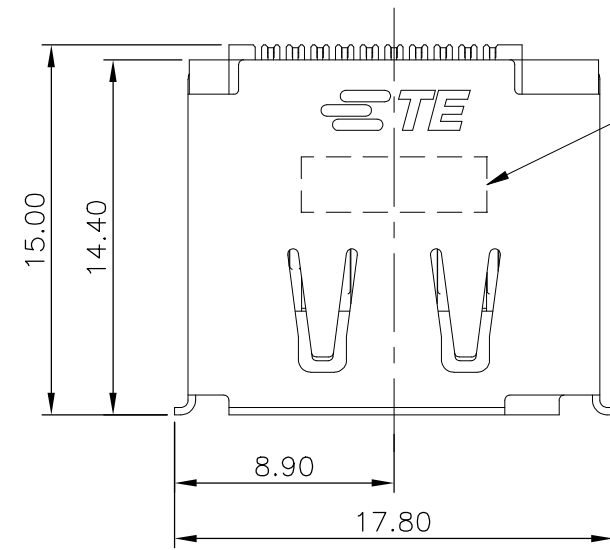
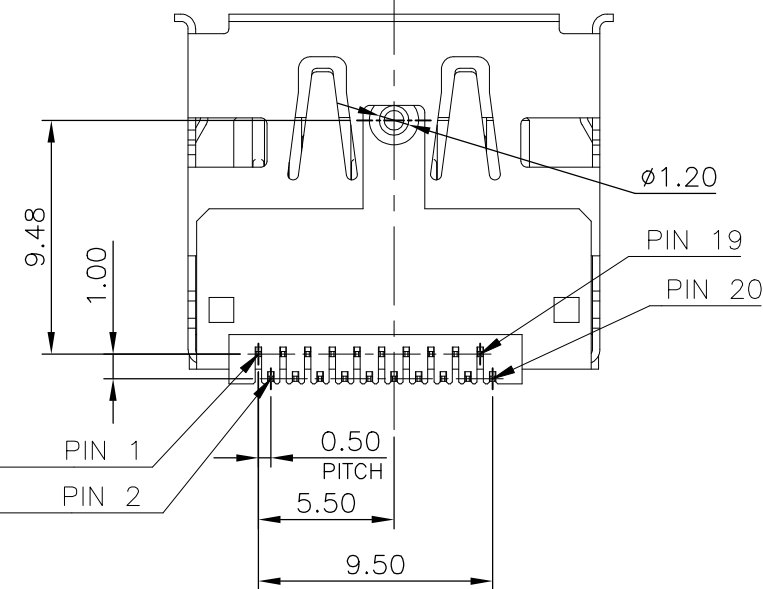
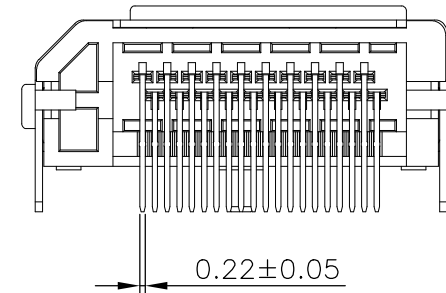
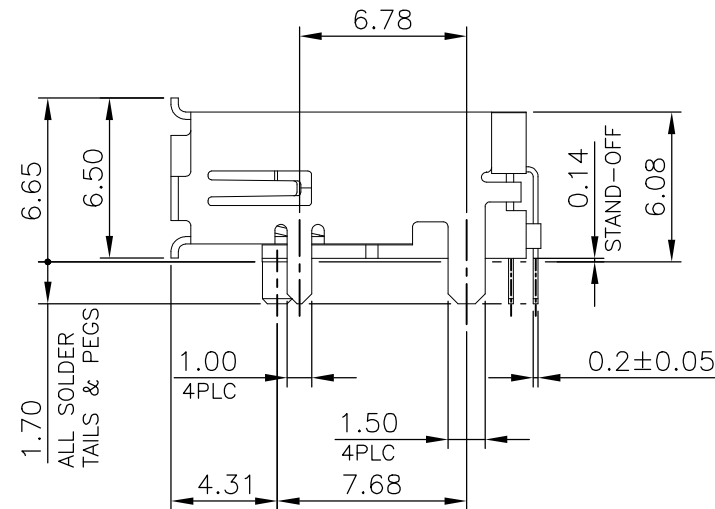
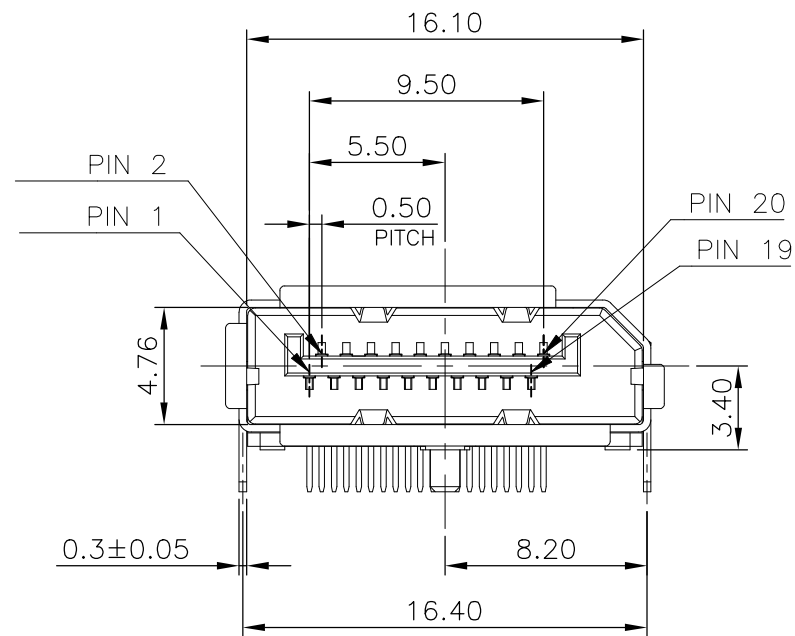


LOC	DIST	REVISIONS					
DW		P	LTR	DESCRIPTION	DATE	DWN	APVD
		C		REVISED PER ECR-18-001600	08FEB18	T.Z	H.W



NOTES:

1. MATERIAL:
 - 1.1 HOUSING & COVER: LCP WITH 30% G.F, UL94 V-0, COLOR: BLACK
 - 1.2 CONTACT: BRASS
 - 1.4 SHEEL: STAINLELL STEEL
2. FINISH:
 - 2.1 CONTACT:
 - GOLD FLASH ON CONTACT AREA.
 - 2.03um [80u"] MIN. MATTE-TIN PALTING ON SOLDER TAIL AREA.
 - 1.27um [50u"] MIN. NICKEL UNDERPLATING OVERALL.
 - 2.2 SHELL: 0.762um [30u"] MIN. NICKEL PLATING OVERALL.
3. REFLOW SOLDER CAPABLE TO 260°C+0/-5°C, PER TEC-109-201, METHOD B, CONDITION B.
4. LOW HALOGEN SPEC:
 - CHLORINE (Cl): 900 ppm MAX.
 - BROMINE (Br): 900 ppm MAX.
 - CHLORINE (Cl) + BROMINE (Br): 1500 ppm MAX.



© OBSOLETE 2041524-1
 PART NUMBER

THIS DRAWING IS A CONTROLLED DOCUMENT.		DWN	E. LIU	01APR2013	TE Connectivity NAME DISPLAYPORT CONNECTOR REVERSED, DIP TYPE, CL=3.4mm			
DIMENSIONS:		CHK	S. CHIEN	01APR2013				
mm		APVD	W. KODAMA	01APR2013				
		PRODUCT SPEC		108-57918				
TOLERANCES UNLESS OTHERWISE SPECIFIED:		APPLICATION SPEC			SIZE	CAGE CODE	DRAWING NO	RESTRICTED TO
0 PLC ± -		WEIGHT		1.96 GRAMS	A3	00779	C=2041524	
1 PLC ± 0.3		CUSTOMER DRAWING			SCALE		SHEET	1 OF 3
2 PLC ± 0.2							REV	C
3 PLC ± 0.15								
4 PLC ± -								
ANGLES ± 3'								
MATERIAL								
SEE NOTE								
FINISH								
SEE NOTE								

THIS DRAWING IS UNPUBLISHED.

RELEASED FOR PUBLICATION

LOC

DIST

REVISIONS

© COPYRIGHT 2011 BY TYCO ELECTRONICS CORPORATION. ALL RIGHTS RESERVED.

DW

P

LTR

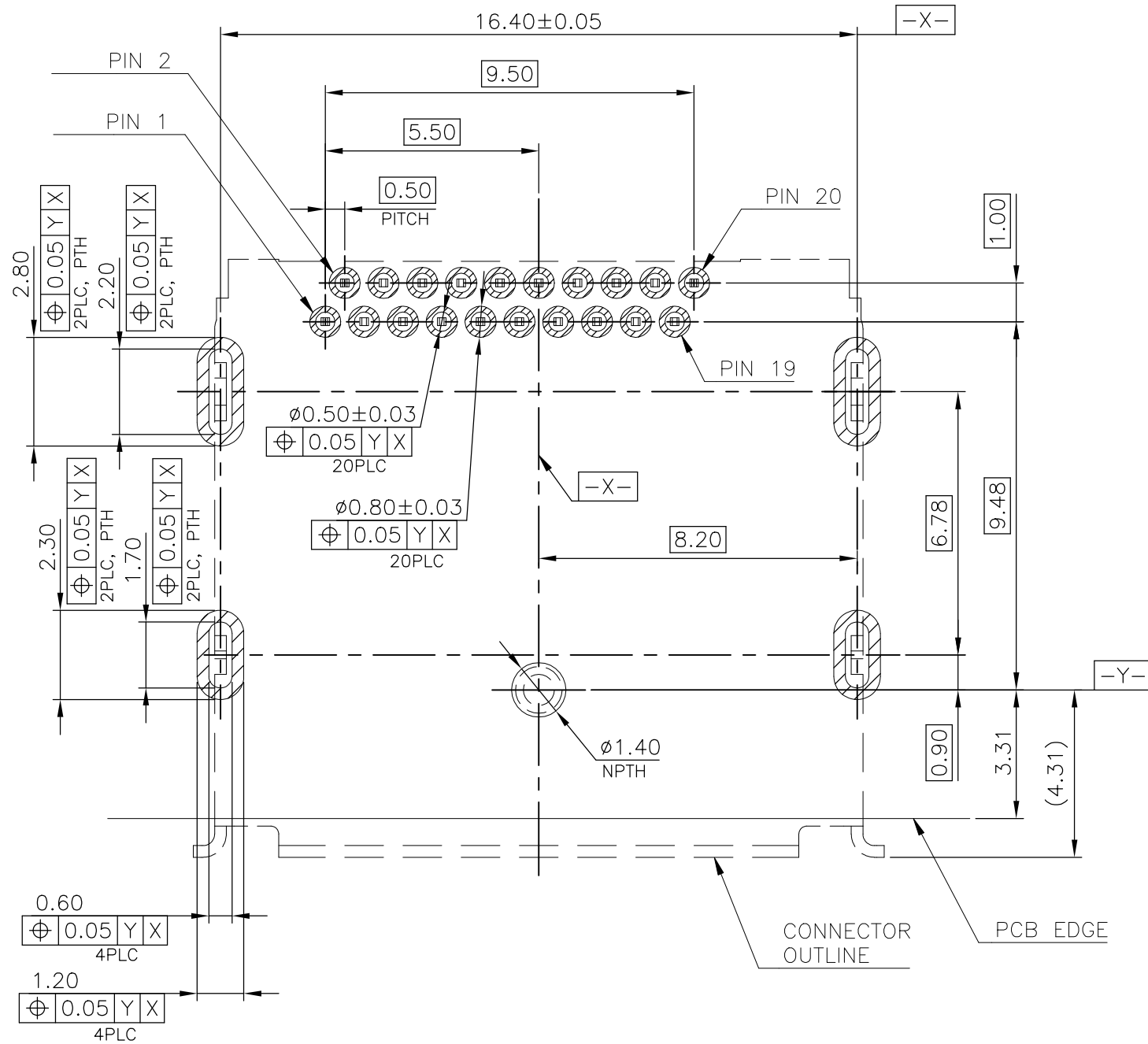
DESCRIPTION

DATE

DWN

APVD

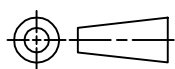
SEE SHEET 1.



RECOMMENDED PCB LAYOUT (COMPONENT SIDE)
TOLERANCE: ±0.05, THICKNESS: 1.2mm

THIS DRAWING IS A CONTROLLED DOCUMENT.

DIMENSIONS:
mm



TOLERANCES UNLESS OTHERWISE SPECIFIED:

- 0 PLC ± -
- 1 PLC ± 0.3
- 2 PLC ± 0.2
- 3 PLC ± 0.15
- 4 PLC ± -
- ANGLES ± 3°

MATERIAL

FINISH

DWN	---
CHK	---
APVD	---
PRODUCT SPEC	---
APPLICATION SPEC	---
WEIGHT	---
CUSTOMER DRAWING	---

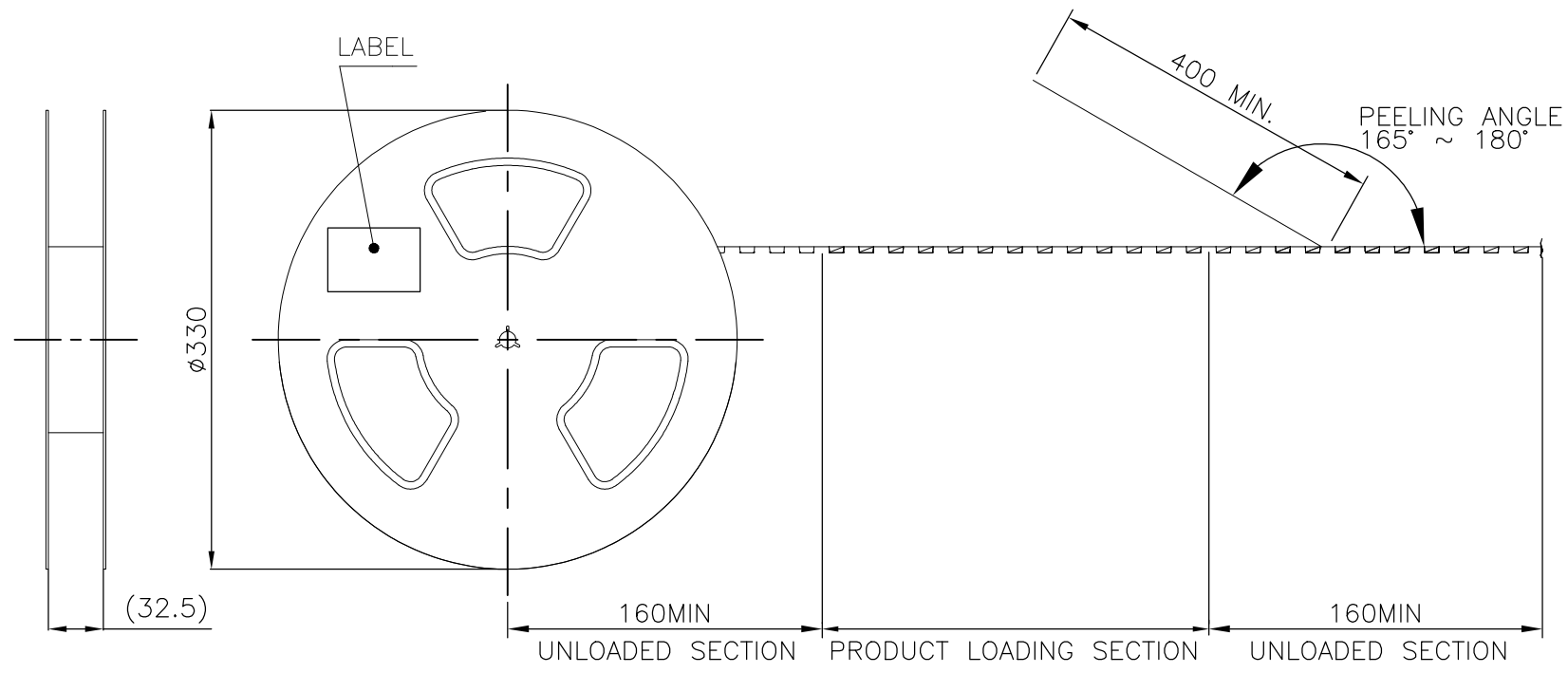


NAME
DISPLAYPORT CONNECTOR
REVERSED, DIP TYPE, CL=3.4mm

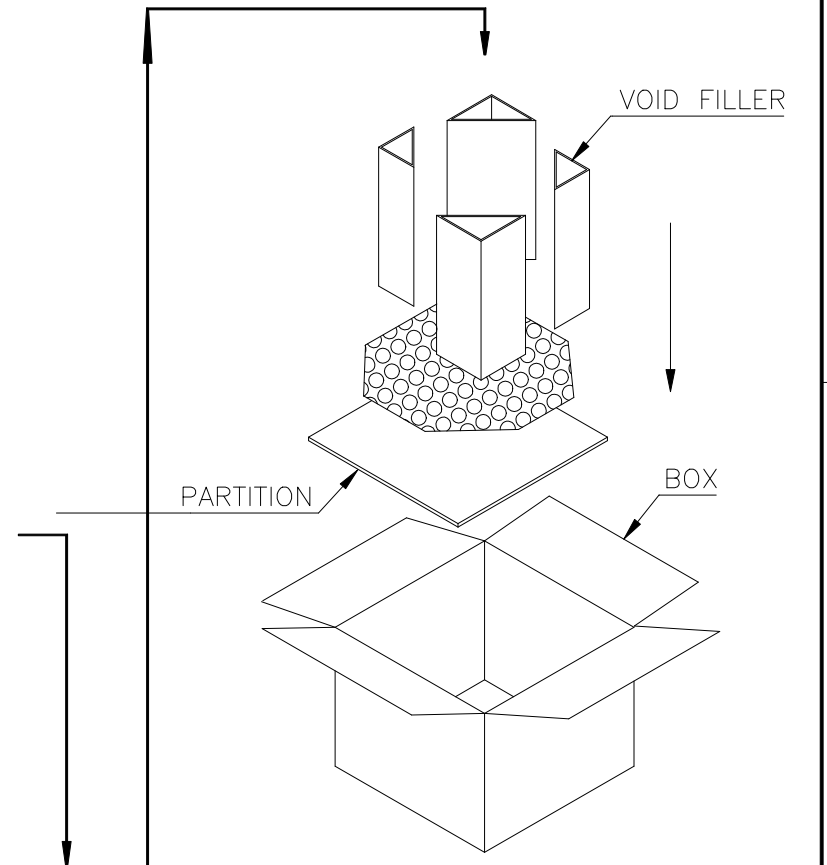
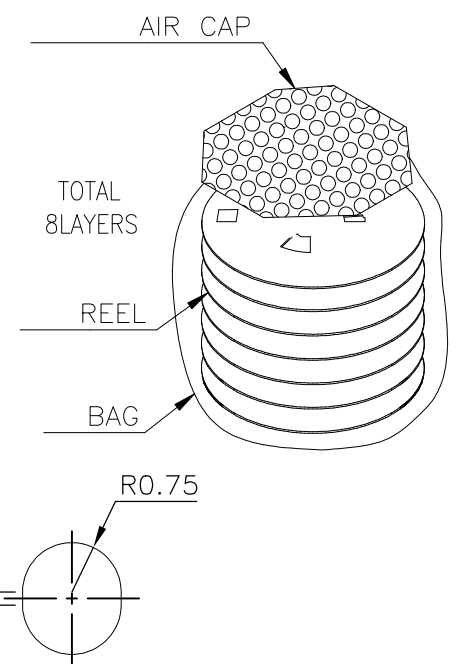
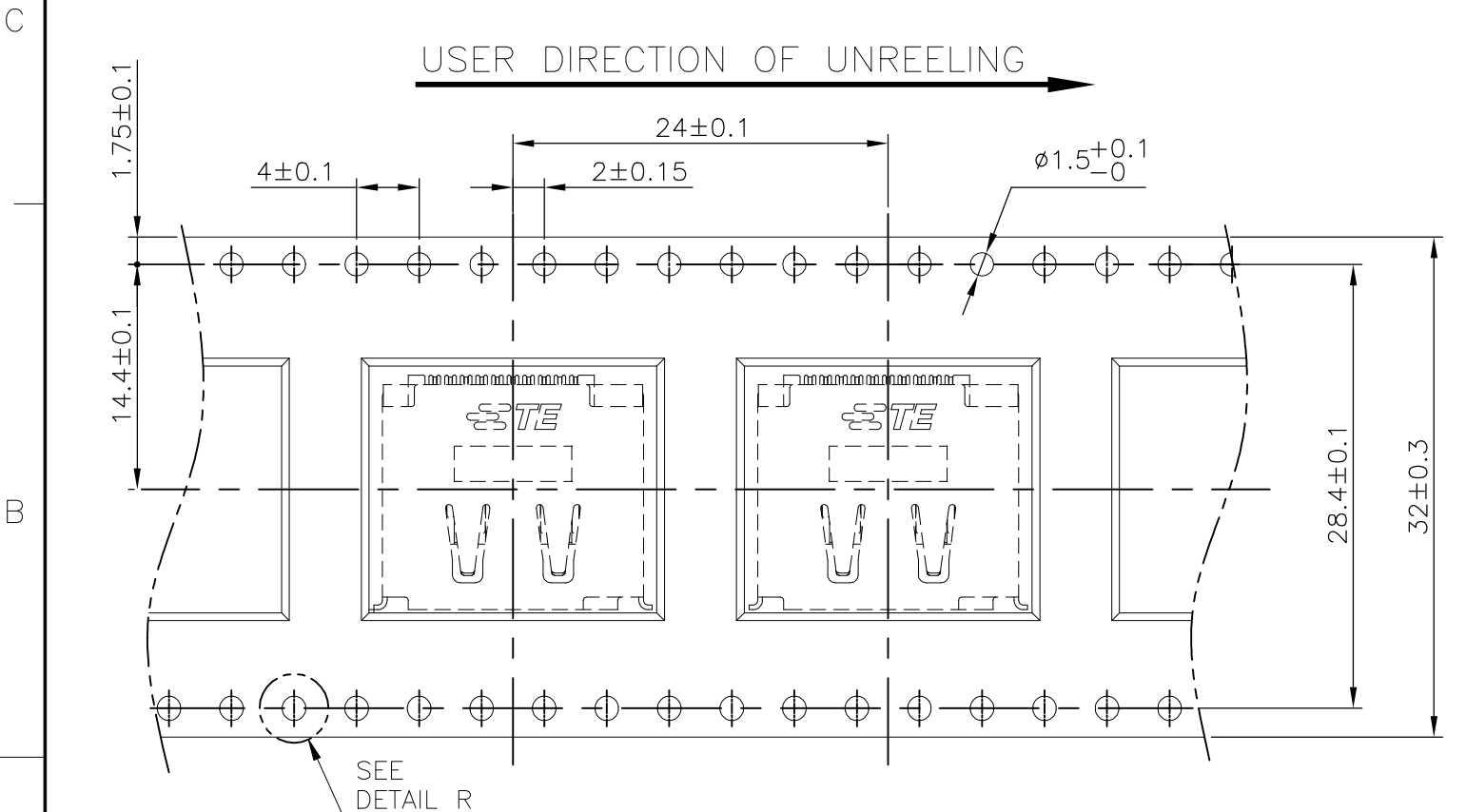
SIZE	CAGE CODE	DRAWING NO	RESTRICTED TO
A3	00779	C=2041524	---

SCALE	SHEET	REV
---	2 OF 3	C

LOC DW	DIST /	REVISIONS			
P	LTR	DESCRIPTION	DATE	DWN	APVD
		SEE SHEET 1.			

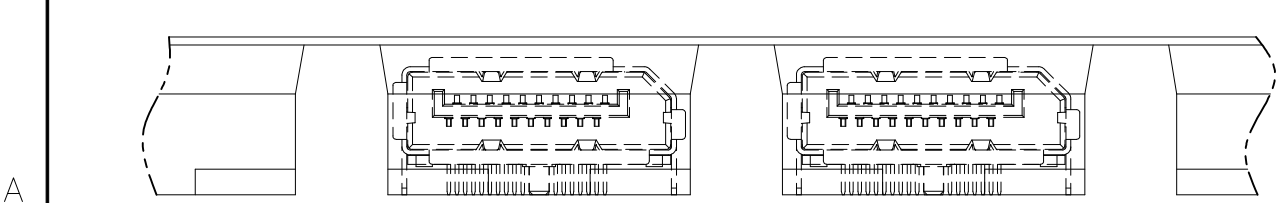


- NOTES:
- MATERIAL:
 BOX: FIBREBOARD, CORRUGATED, DOUBLE WALL.
 COVER TAPE: ANTISTATIC P.S, TRANSPARENT.
 CARRIER TAPE: ANTISTATIC P.S, TRANSPARENT.
 REEL: PS.
 BAG: PE.
 PARTITION: POLYETHYLENE FOAM
 VOID FILLER: CORRUGATED FIBERBOARD
 - EACH BAG SHALL BE INCLUDED DESICCANT.
 - PEELING STRENGTH: 0.1 ~ 1.3 N (10 ~ 130 GRAMS).
 - PEELING SPEED: 300 mm/min.



DETAIL R
 SCALE 4:1
 © OBSOLETE

7.95 KG	3.92 KG	250	8	2000	2041524-1
GROSS WEIGHT	NET WEIGHT	PCS/ REEL	REEL/ BOX	PCS/ BOX	PART NUMBER



THIS DRAWING IS A CONTROLLED DOCUMENT.		DWN	TE Connectivity			
DIMENSIONS: mm		CHK	NAME			
TOLERANCES UNLESS OTHERWISE SPECIFIED:		APVD	DISPLAYPORT CONNECTOR REVERSED, DIP TYPE, CL=3.4mm			
0 PLC ± -		PRODUCT SPEC	SIZE	CAGE CODE	DRAWING NO	RESTRICTED TO
1 PLC ± 0.3		APPLICATION SPEC	A3	00779	C=2041524	
2 PLC ± 0.2		WEIGHT	SCALE			
3 PLC ± 0.15		CUSTOMER DRAWING	SHEET 3 OF 3			
4 PLC ± -			REV C			
ANGLES ± 3'						
MATERIAL						
FINISH						