

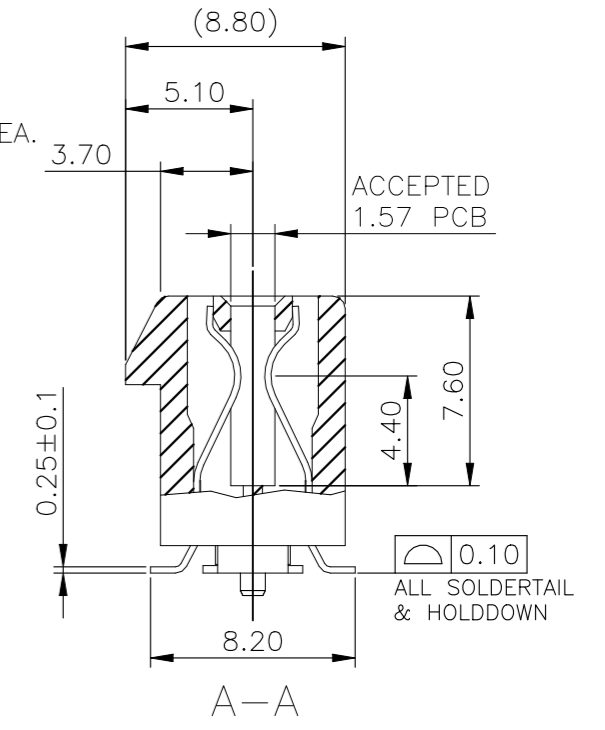
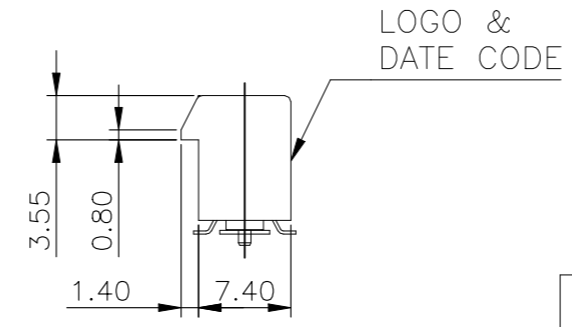
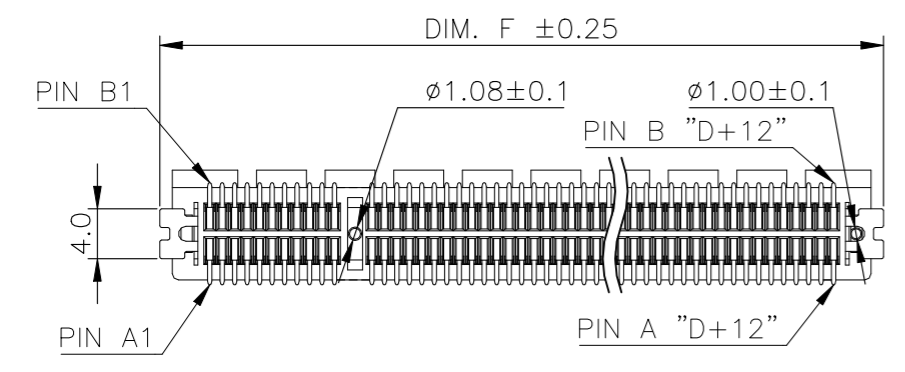
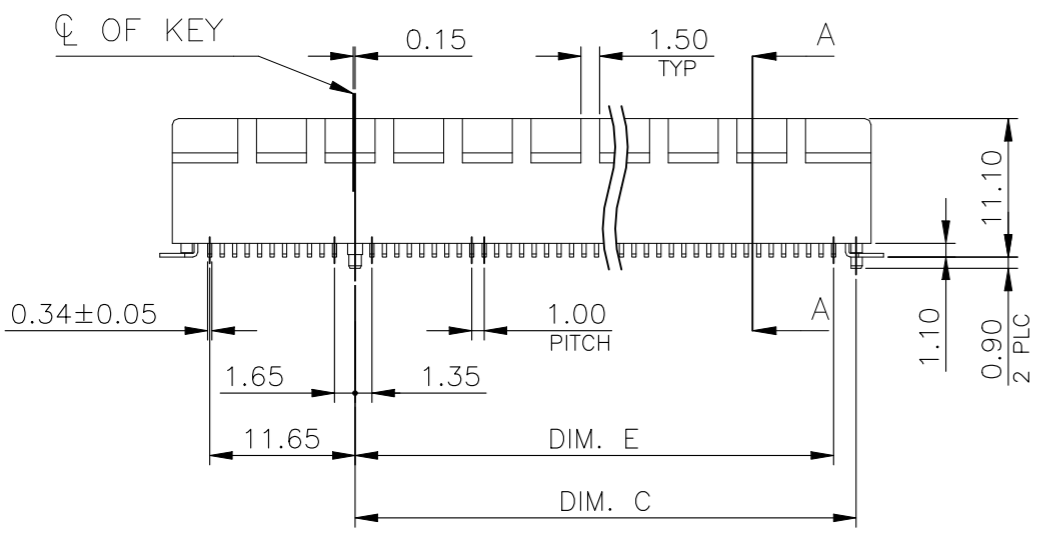
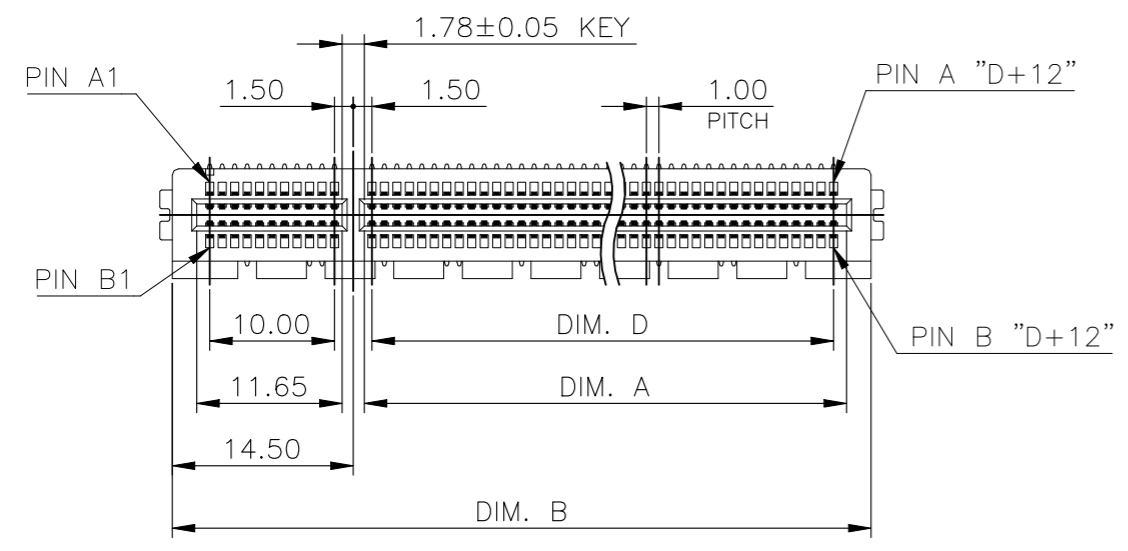
REVISIONS					
P	LTR	DESCRIPTION	DATE	DWN	APVD
	F2	REVISE PER ECO-21-000688	19JAN2021	TL	HL

NOTES:

- MATERIAL:
 - HOUSING: PA9T WITH 30% G.F, UL94V-0, BLACK COLOR
 - CONTACT: PHOSPHOR BRONZE
 - PEG: BRASS
 - CAP: LCP WITH 30% G.F., UL94V-0.
- FINISH:
 - CONTACT:

(SEE TABLE) GOLD PLATING ON THE CONTACT AREA,
2.54um [100u"] MIN. MATTE-TIN PLATING ON SOLDER TAIL AREA.
1.27um [50u"] MIN. NICKEL UNDERPLATING OVERALL.
 - PEG:

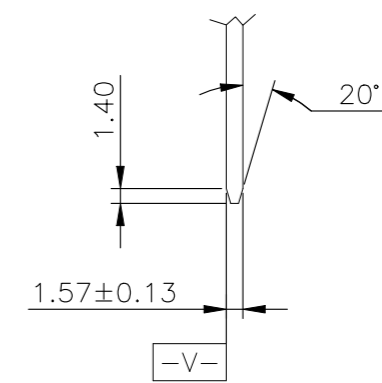
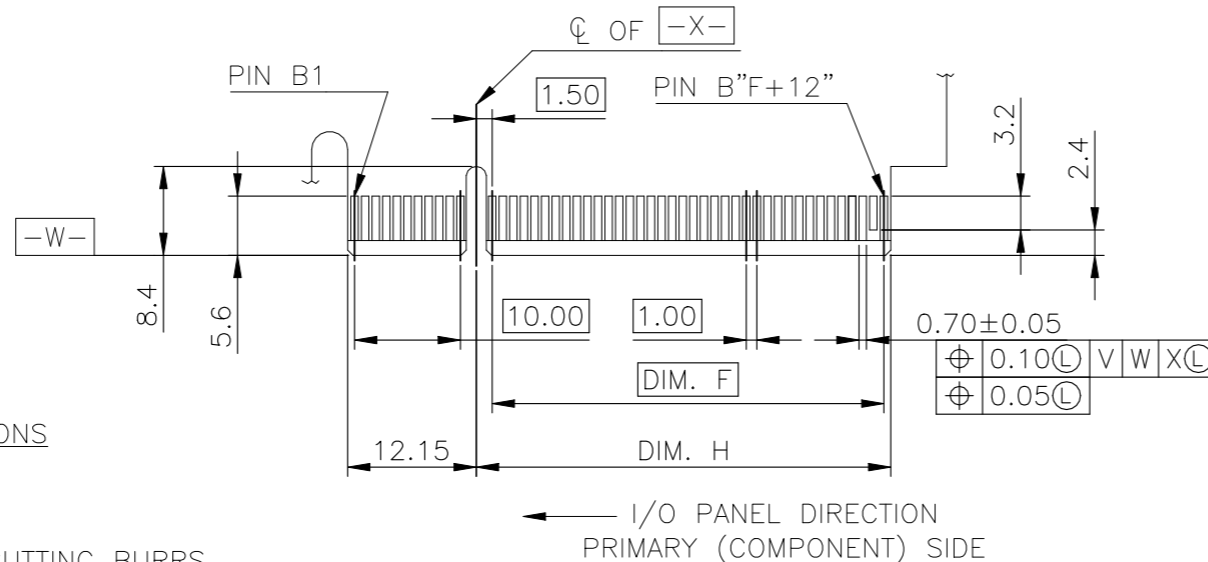
2.54um [100u"] MIN. MATTE-TIN PLATING ALL OVER
1.27um [50u"] MIN. NICKEL UNDERPLATING OVERALL.
- REFLOW SOLDER CAPABLE TO 260°C PER TEST SPEC.
TEC-109-201, CONDITION B.



WEIGHT (g)	PACKAGING	MIN. GOLD THICKNESS	DIM. F	DIM. E	DIM. D	DIM. C	DIM. B	DIM. A	POS.	PART NUMBER
3.9	TAPE & REEL, PAGE 4 WITH CAP	0.381um [15u"]	41.0	21.35	20	23.15	39	21.65	64	3-2041366-1
8.6	HARD TRAY, PAGE 3 WITH MYLAR	0.381um [15u"]	91.0	71.35	70	73.15	89	71.65	164	1-2041366-2
9.25	HARD TRAY, PAGE 3 WITH 30mm CAP	0.762um [30u"]	91.0	71.35	70	73.15	89	71.65	164	2041366-9
UNTOOLED	SPECIAL HARD TRAY, PAGE 6 WITH 30mm CAP		91.0	71.35	70	73.15	89	71.65	164	2041366-8
UNTOOLED	SPECIAL HARD TRAY, PAGE 5 WITH CAP	0.762um [30u"]	91.0	71.35	70	73.15	89	71.65	164	2041366-7
9.0	HARD TRAY, PAGE 3 WITH CAP		91.0	71.35	70	73.15	89	71.65	164	2041366-6
UNTOOLED	HARD TRAY, PAGE 3 W/O CAP	0.762um [30u"]	58.0	38.35	37	40.15	56	38.65	98	2041366-5
5.40	TAPE & REEL, PAGE 4 WITH CAP		58.0	38.35	37	40.15	56	38.65	98	2041366-4
UNTOOLED	HARD TRAY, PAGE 3 WITH CAP	0.762um [30u"]	91.0	73.15	70	73.15	89	71.65	164	2041366-3
8.6	HARD TRAY, PAGE 3 WITH MYLAR		91.0	73.15	70	73.15	89	71.65	164	2041366-2
	HARD TRAY, PAGE 3 W/O CAP									2041366-1

THIS DRAWING IS A CONTROLLED DOCUMENT.		DWN J. CHEN 07APR2011	TE Connectivity Ltd.		
DIMENSIONS: mm		CHK S. CHEN 07APR2011			
TOLERANCES UNLESS OTHERWISE SPECIFIED:		APVD W. KODAMA 07APR2011	NAME		
0 PLC ± -		PRODUCT SPEC			PCI EXPRESS CARD EDGE CONNECTOR VERTICAL, SMT TYPE
1 PLC ± 0.3		108-57870			
2 PLC ± 0.2		APPLICATION SPEC			SIZE
3 PLC ± 0.15		-			CAGE CODE
4 PLC ± -		WEIGHT SEE TABLE			DRAWING NO
ANGLES ± 3°		CUSTOMER DRAWING			RESTRICTED TO
MATERIAL SEE NOTE		FINISH SEE NOTE			A3 00779 C-2041366
		SCALE 1:1			SHEET 1 OF 6
		REV F2			

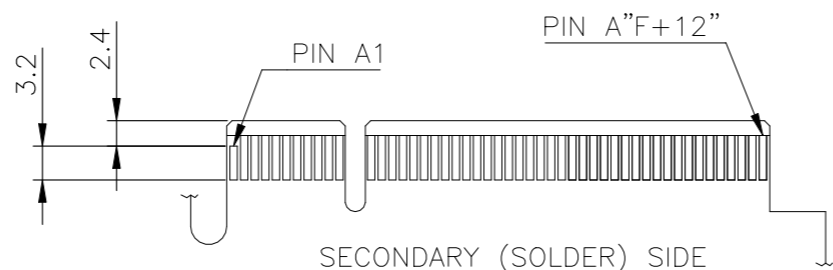
REVISIONS					
P	LTR	DESCRIPTION	DATE	DWN	APVD
-	-	SEE SHEET 1	-	-	-



ADD-IN CARD EDGE-FINGER DIMENSIONS

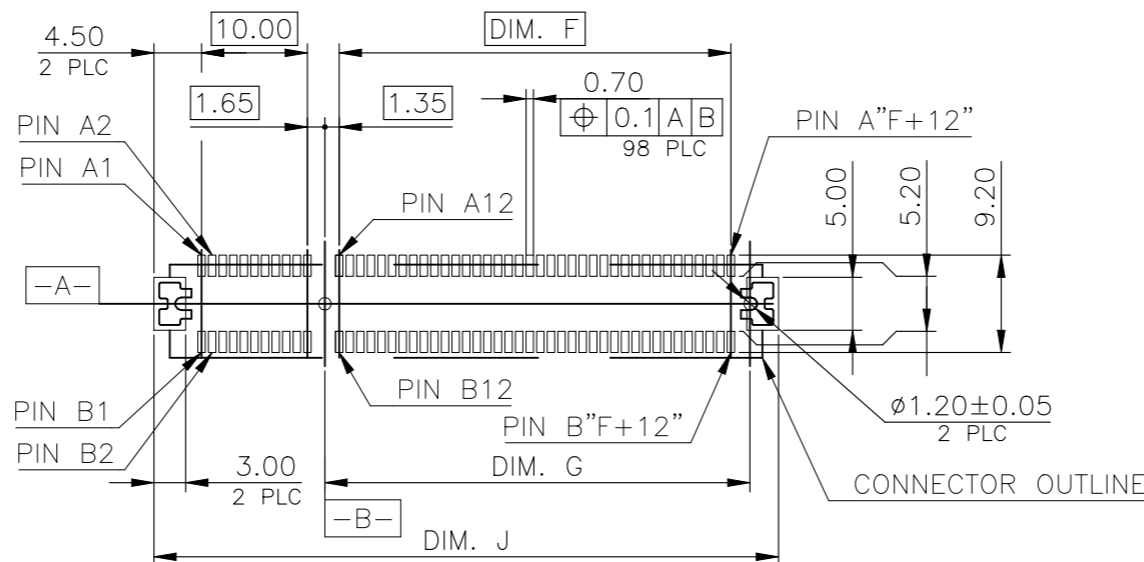
NOTES:
CHAMFER EDGE MUST BE FREE OF CUTTING BURRS

I/O PANEL DIRECTION
PRIMARY (COMPONENT) SIDE




RECOMMENDED PCB LAYOUT
(COMPONENT SIDE)

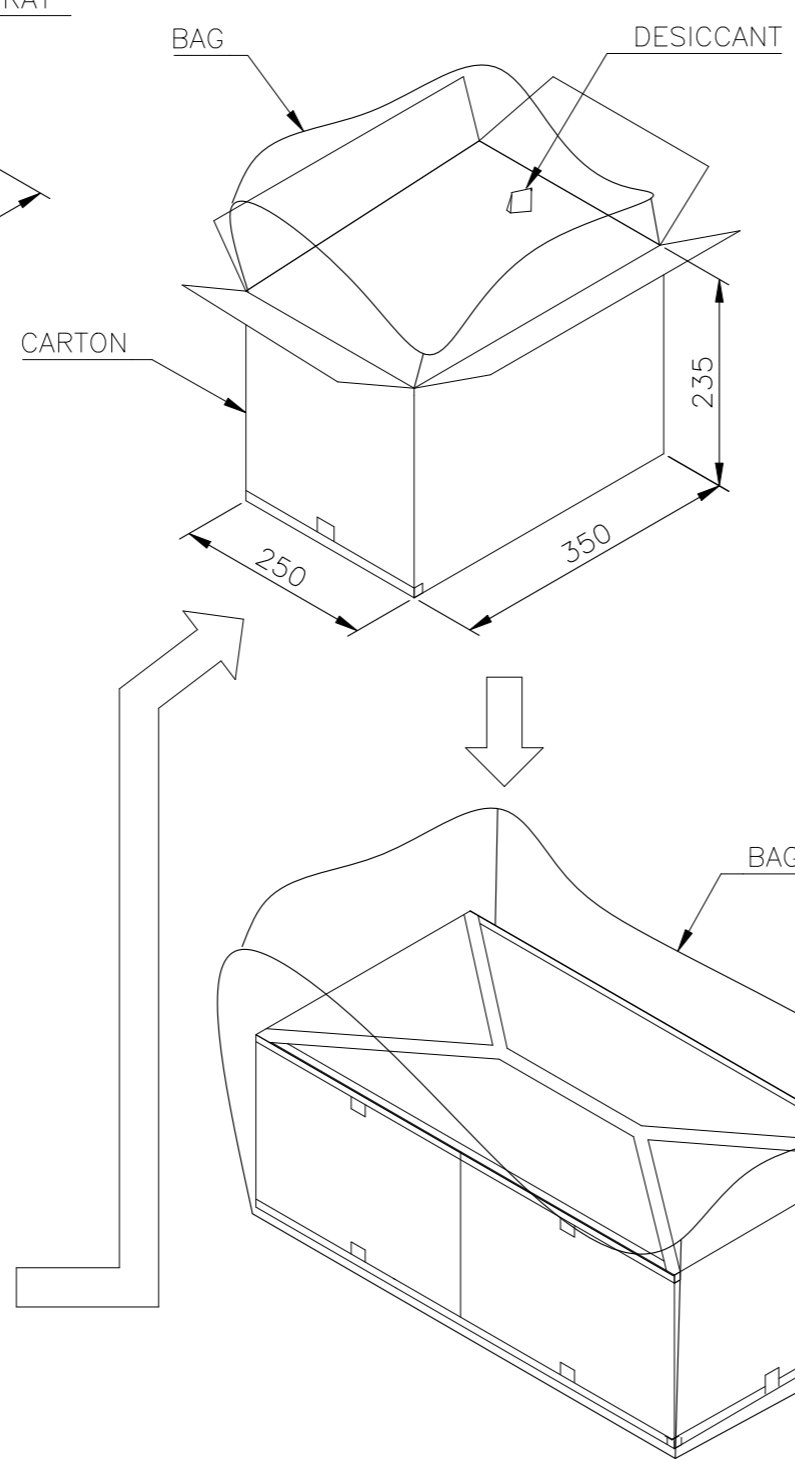
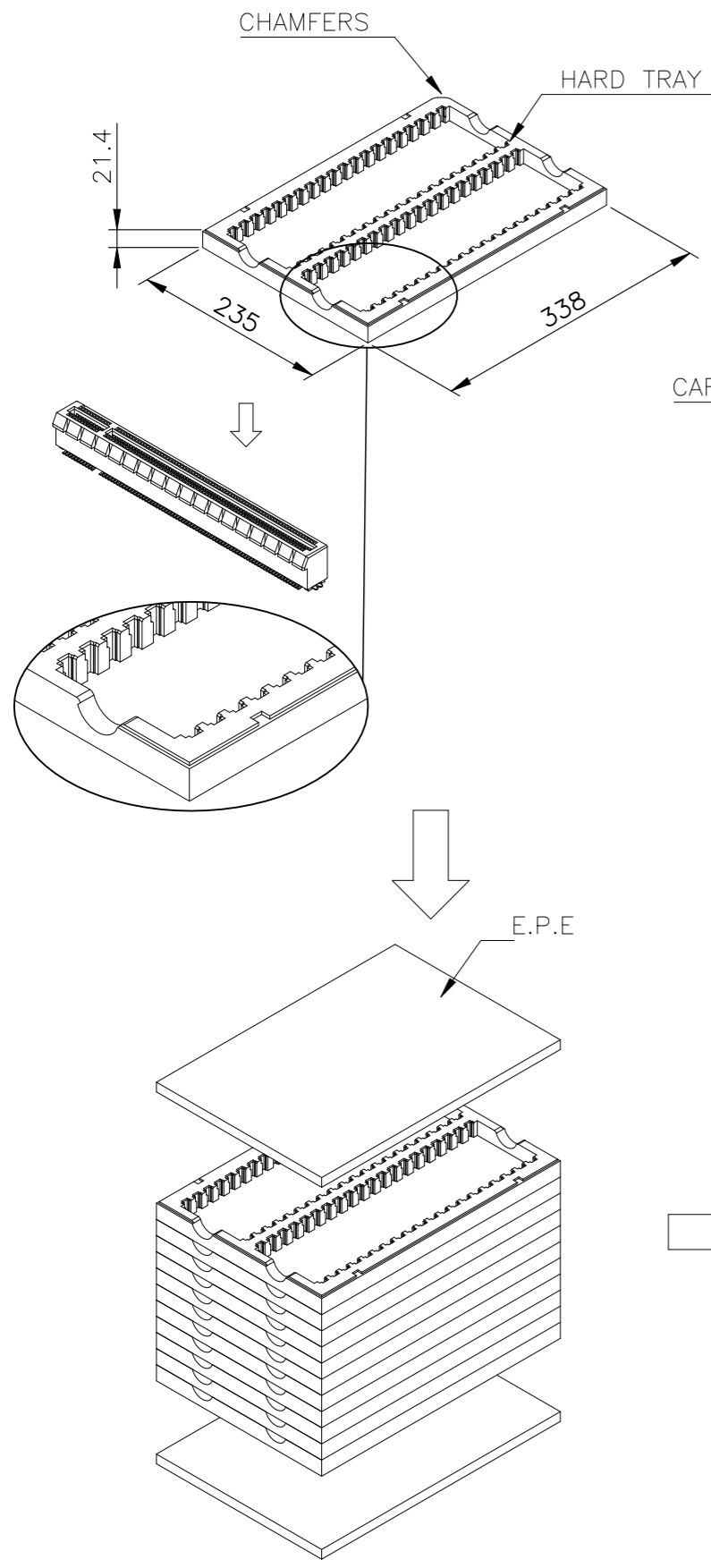
TOLERANCE: ±0.05



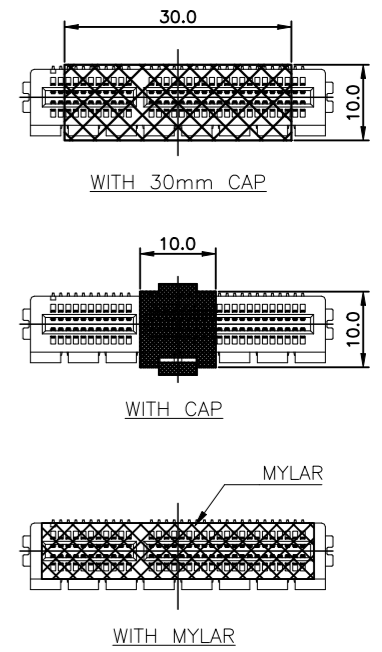
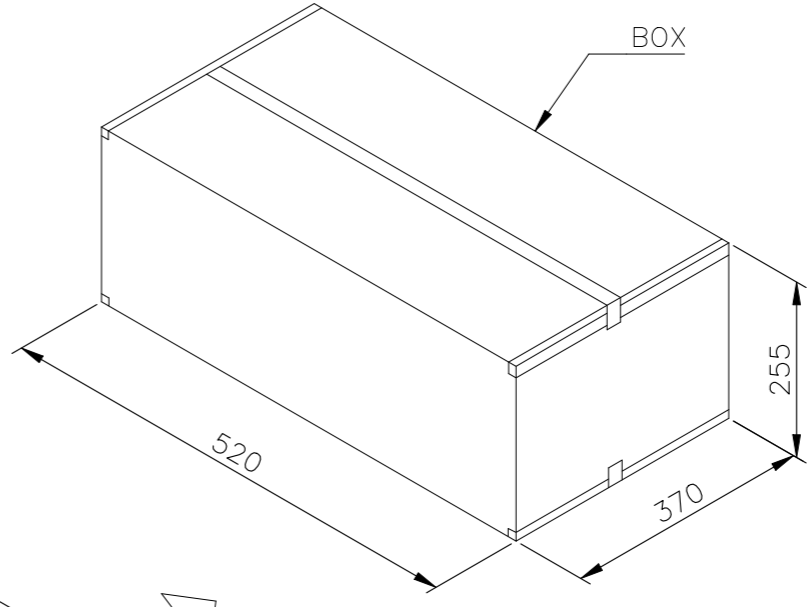
164	70.0	73.15	72.15	92.0	B17, B31, B48, B81
98	37.0	40.15	39.15	59.0	B17, B31, B48
64	20.0	23.15	22.15	42.0	B17, B31
POS.	DIM. F	DIM. G	DIM. H	DIM. J	"K"

THIS DRAWING IS A CONTROLLED DOCUMENT.		DWN J. CHEN 07APR2011	 TE Connectivity Ltd.		
DIMENSIONS: mm		CHK S. CHEN 07APR2011			
TOLERANCES UNLESS OTHERWISE SPECIFIED:		APVD W. KODAMA 07APR2011	NAME PCI EXPRESS CARD EDGE CONNECTOR VERTICAL, SMT TYPE		
0 PLC ± - 1 PLC ± - 2 PLC ± - 3 PLC ± - 4 PLC ± - ANGLES ± -		PRODUCT SPEC 108-57870	RESTRICTED TO		
MATERIAL		APPLICATION SPEC	SIZE	CAGE CODE	DRAWING NO
FINISH		WEIGHT	A3	00779	C-2041366
		CUSTOMER DRAWING	SCALE	SHEET	REV
			1:1	2 OF 6	F2

REVISIONS					
P	LTR	DESCRIPTION	DATE	DWN	APVD
-	-	SEE SHEET 1	-	-	-



- NOTES :
- MATERIAL :
TRAY : HIPS, COLOR: BLACK.
CARTON: CORRUGATED FIBER
BOX: CORRUGATED FIBER
 - DIMENSION :
TRAY: SEE DRAWING
CARTON: SEE DRAWING
BOX : SEE DRAWING
 - QUANTITY : SEE TABLE
 - WEIGHT : SEE TABLE

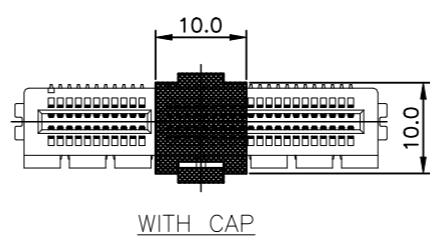
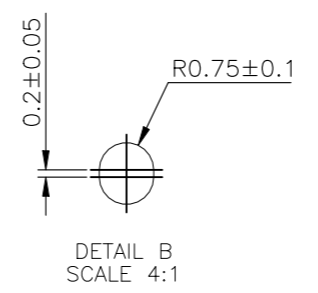
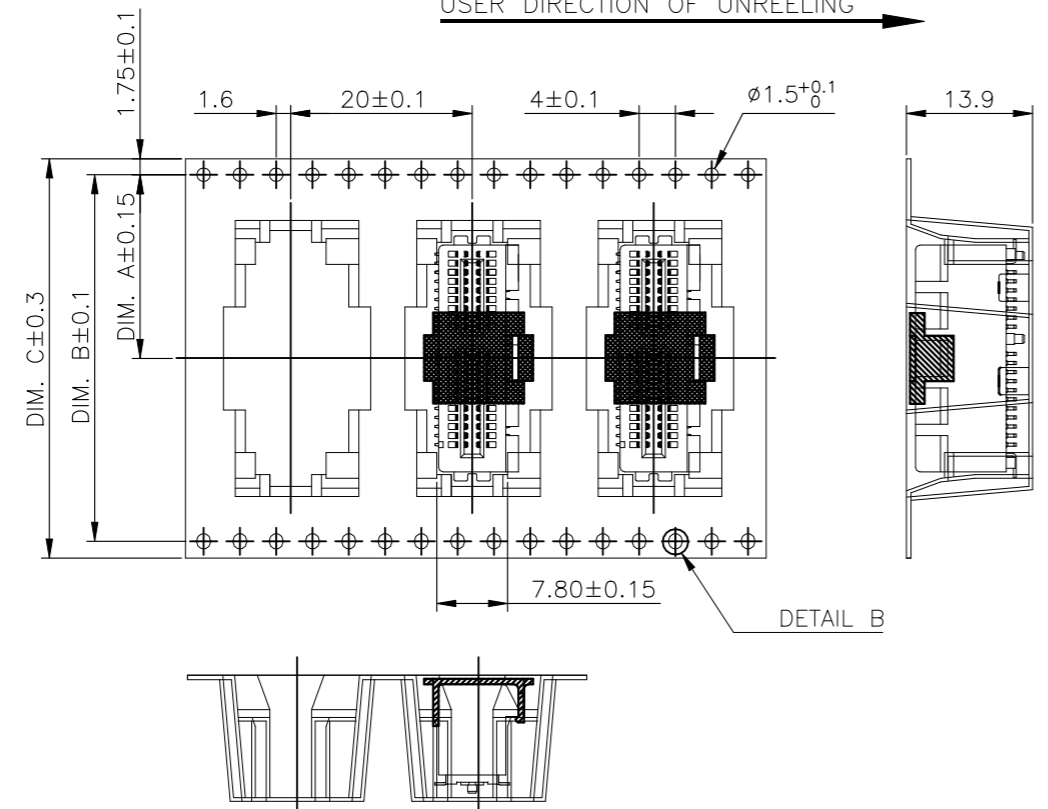
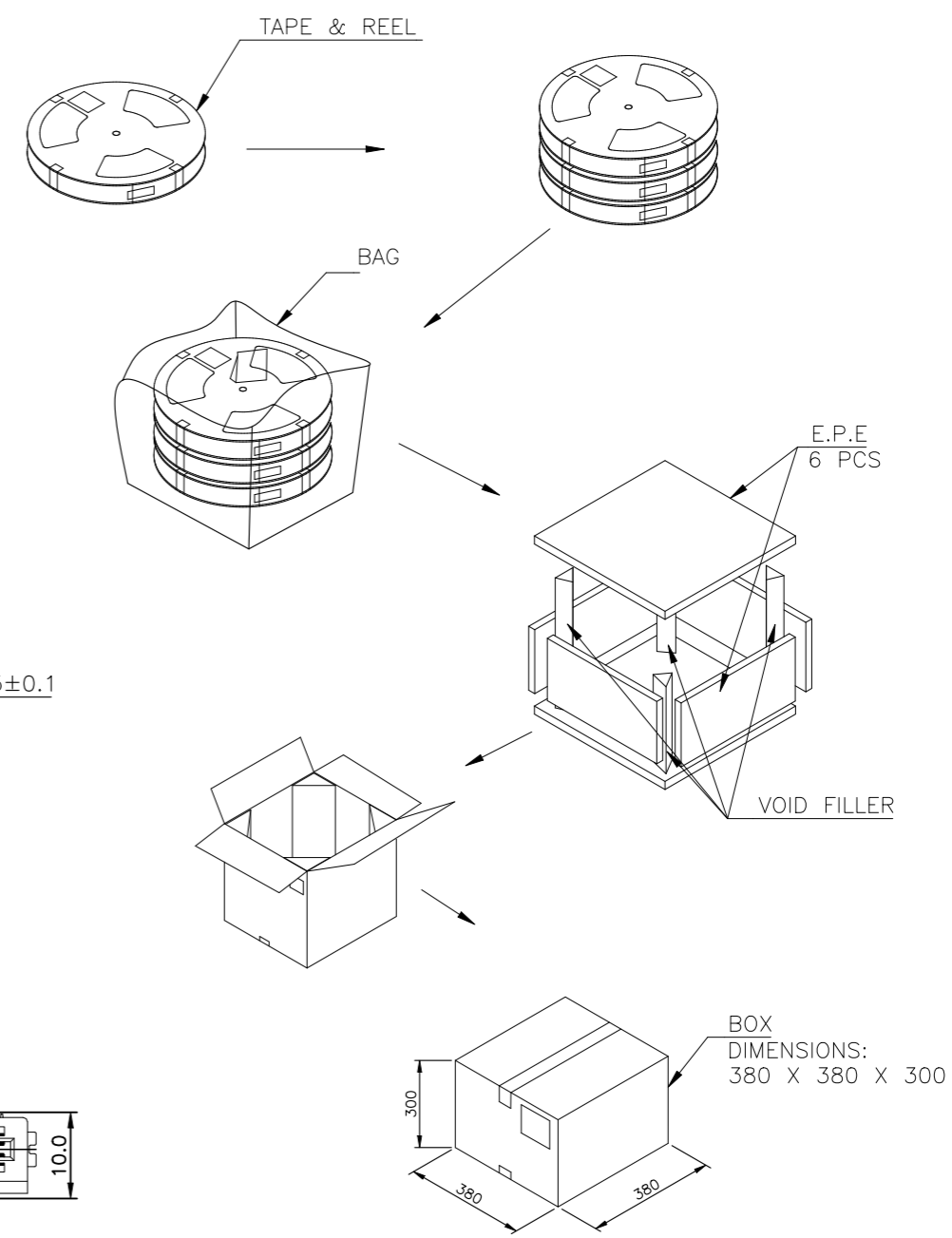
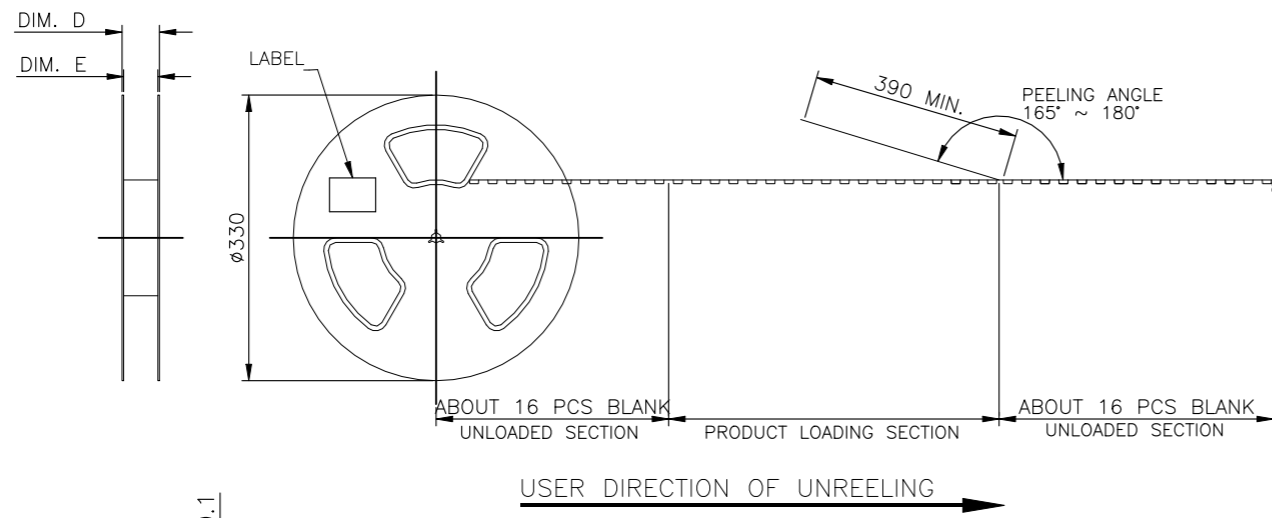


UNTOOLED	11.6 KG	7.10 KG	60	10	2	1200	98
	11.1 KG	6.60 KG	40	10	2	800	164
	GROSS WEIGHT	NET WEIGHT	PCS/ TRAY	TRAY/ CARTON	CARTON/ BOX	PCS/ BOX	POS

THIS DRAWING IS A CONTROLLED DOCUMENT.		DWN J. CHEN 07APR2011	TE Connectivity Ltd.			
		CHK S. CHEN 07APR2011				
		APVD W. KODAMA 07APR2011	NAME			
		PRODUCT SPEC 108-57870	PCI EXPRESS CARD EDGE CONNECTOR VERTICAL, SMT TYPE			
		APPLICATION SPEC	-			
		WEIGHT	SIZE	CAGE CODE	DRAWING NO	RESTRICTED TO
		-	A3	00779	C-2041366	-
		CUSTOMER DRAWING	SCALE	SHEET	REV	
			1:1	3 of 6	F2	

DIMENSIONS: mm		TOLERANCES UNLESS OTHERWISE SPECIFIED:	
		0 PLC ± -	
		1 PLC ± -	
		2 PLC ± -	
		3 PLC ± -	
		4 PLC ± -	
		ANGLES ± -	
MATERIAL		FINISH	
-		-	

REVISIONS					
P	LTR	DESCRIPTION	DATE	DWN	APVD
-	-	SEE SHEET 1	-	-	-



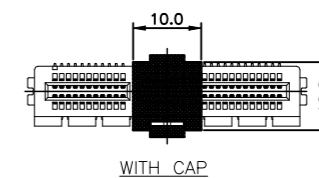
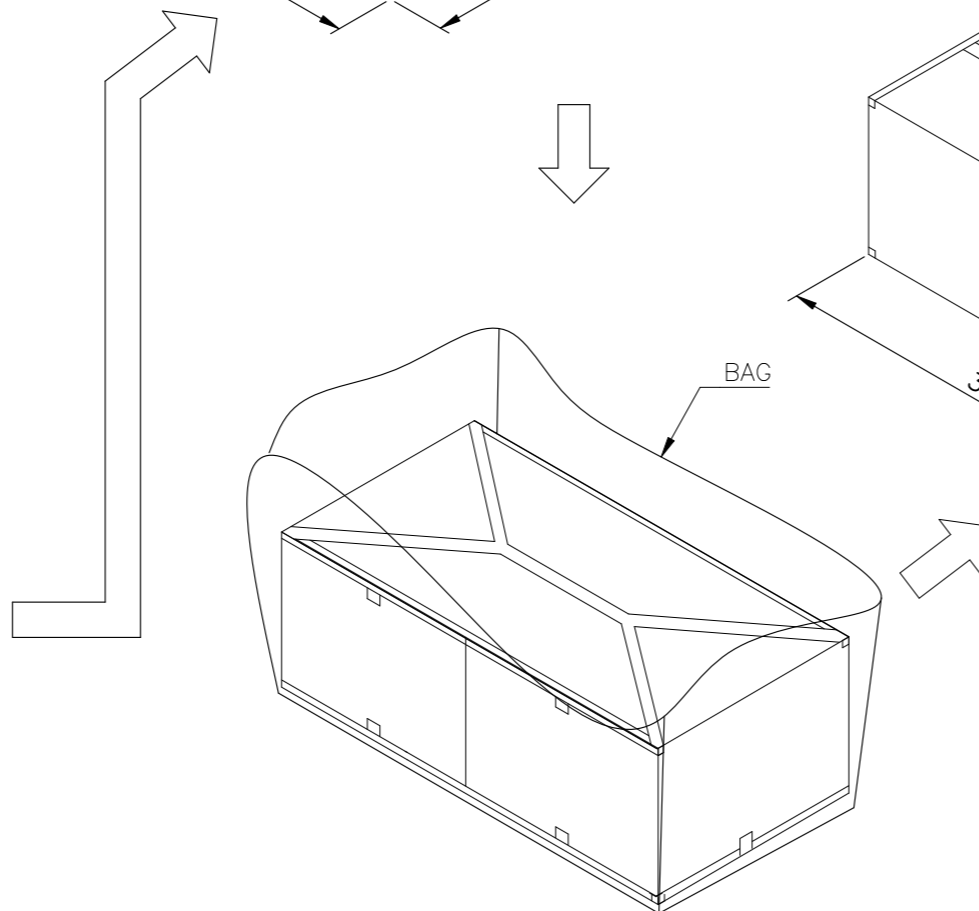
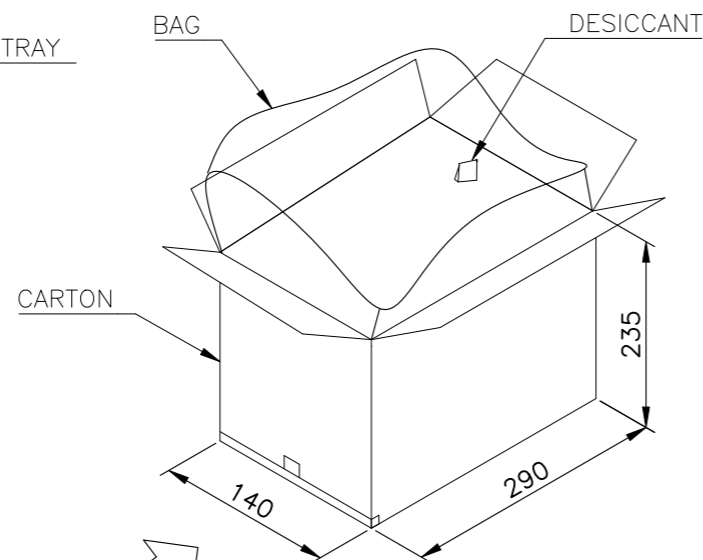
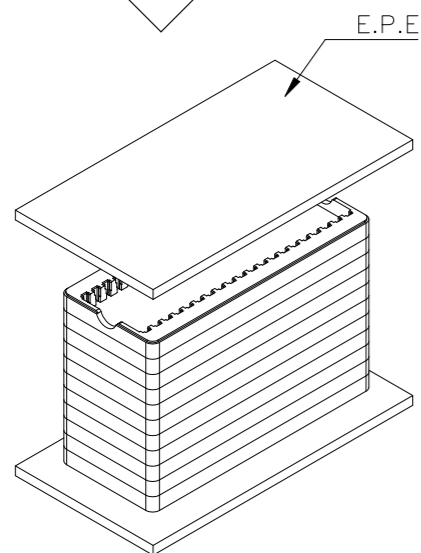
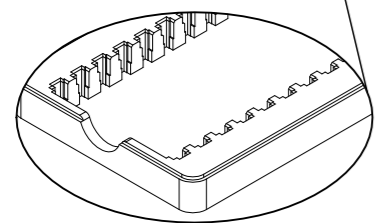
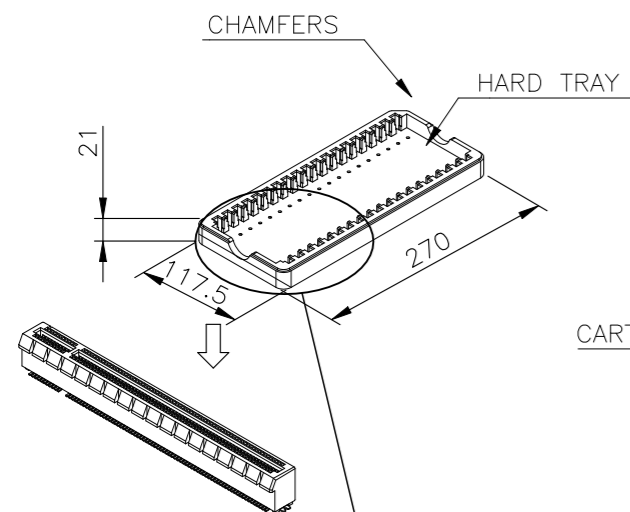
- NOTES:
- MATERIAL:
 BOX: FIBREBOARD, CORRUGATED, DOUBLE WALL.
 COVER TAPE: PET, TRANSPARENT COLOR.
 CARRIER TAPE: POLYSTYRENES, BLACK COLOR.
 REEL: POLYSTYRENES, BLUE COLOR.
 BAG: POLYETHYLENE.
 - PEELING STRENGTH: 0.1 ~ 1.3 N (10 ~ 130 GRAMS)
 - PEELING SPEED: 300 mm/min.
 - EACH BAG SHALL BE INCLUDED DESICCANT.

88.4	94.4	88.0	84.4	42.2±0.3	6.0 Kg	3.2 Kg	200	3	600	98P
56.4	62.4	56.0	52.4	26.2±0.15	5.9 Kg	3.1 Kg	200	4	800	64P
DIM. E	DIM. D	DIM. C	DIM. B	DIM. A	GROSS WEIGHT	NET WEIGHT	PCS/ REEL	REEL/ BOX	PCS/ BOX	POSITION NUMBER

THIS DRAWING IS A CONTROLLED DOCUMENT.		DWN J. CHEN 07APR2011	TE Connectivity Ltd. PCI EXPRESS CARD EDGE CONNECTOR VERTICAL, SMT TYPE											
DIMENSIONS: mm		CHK S. CHEN 07APR2011												
TOLERANCES UNLESS OTHERWISE SPECIFIED:		APVD W. KODAMA 07APR2011												
<table border="0"> <tr><td>0 PLC</td><td>± -</td></tr> <tr><td>1 PLC</td><td>± -</td></tr> <tr><td>2 PLC</td><td>± -</td></tr> <tr><td>3 PLC</td><td>± -</td></tr> <tr><td>4 PLC</td><td>± -</td></tr> <tr><td>ANGLES</td><td>± -</td></tr> </table>		0 PLC				± -	1 PLC	± -	2 PLC	± -	3 PLC	± -	4 PLC	± -
0 PLC	± -													
1 PLC	± -													
2 PLC	± -													
3 PLC	± -													
4 PLC	± -													
ANGLES	± -													
MATERIAL		PRODUCT SPEC 108-57870	SIZE	CAGE CODE	DRAWING NO	RESTRICTED TO								
-		FINISH	A3 00779 C-2041366		-									
CUSTOMER DRAWING			SCALE	SHEET	REV									
-			1:1	4 OF 6	F2									

REVISIONS

P	LTR	DESCRIPTION	DATE	DWN	APVD
-	-	SEE SHEET 1	-	-	-



NOTES :

PACKING MATERIAL MET TE SPEC TEC-138-702.

- * CADMIUM AND CADMIUM COMPOUNDS CONTENT:
5 PPM UNDER (PLASTIC, RUBBER, INK, PIGMENT, PAINT)
- * LEAD, CADMIUM, CHROM VI AND MERCURY IN PACKAGING MATERIALS CONTENT: 100 PPM (COMBINED) UNDER.

1. MATERIAL :

- TRAY: HIPS, COLOR: BLACK.
- CARTON: CORRUGATED FIBER
- BOX: CORRUGATED FIBER
- TRANSPARENT BAG: PE, SIZE: 500mm*380mm*0.06mm
640mm*510mm*0.06mm

2. EACH BAG SHALL BE INCLUDED:

- * DESICCANT

UNTOOLED	-- KG	3.4 KG	19	10	2	380	164	2041366-7
	GROSS WEIGHT	NET WEIGHT	PCS/ TRAY	TRAY/ CARTON	CARTON/ BOX	PCS/ BOX	POS	PART NUMBER

THIS DRAWING IS A CONTROLLED DOCUMENT.

DIMENSIONS:	TOLERANCES UNLESS OTHERWISE SPECIFIED:
mm	
	0 PLC ± -
	1 PLC ± -
	2 PLC ± -
	3 PLC ± -
	4 PLC ± -
	ANGLES ± -
MATERIAL	FINISH
-	-

DWN	J. CHEN	07APR2011
CHK	S. CHEN	07APR2011
APVD	W. KODAMA	07APR2011
PRODUCT SPEC	108-57870	
APPLICATION SPEC	-	
WEIGHT	0	
CUSTOMER DRAWING		

STE TE Connectivity Ltd.

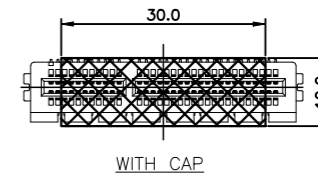
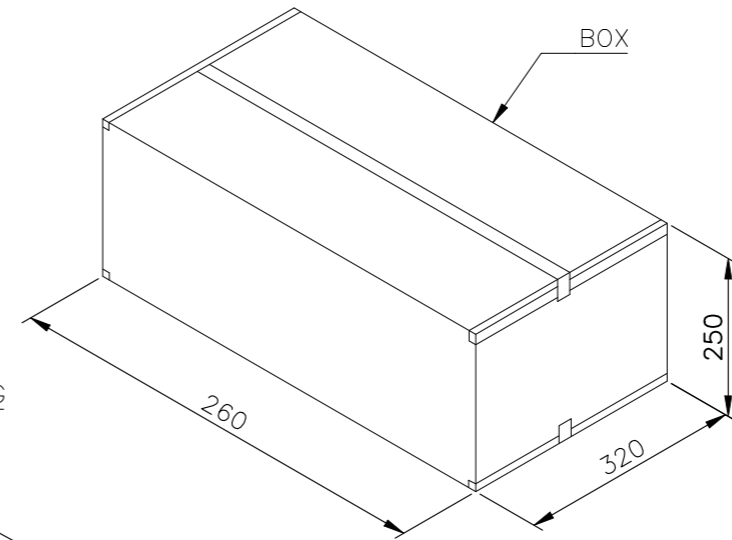
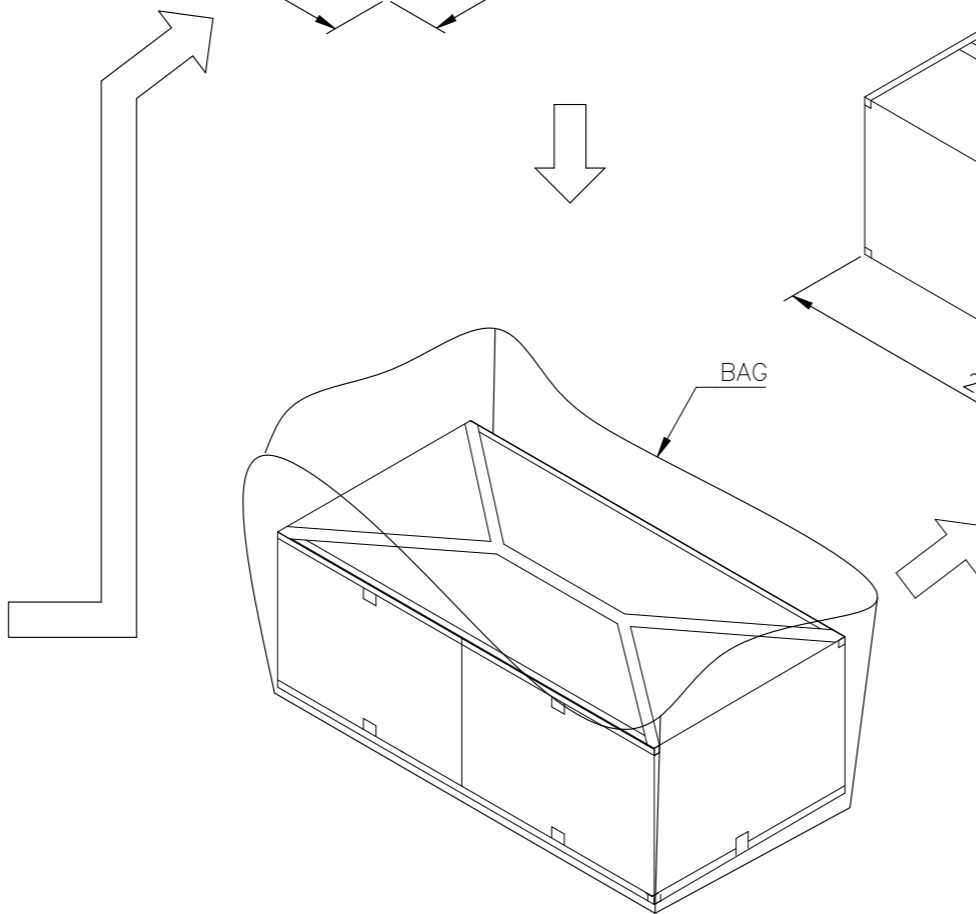
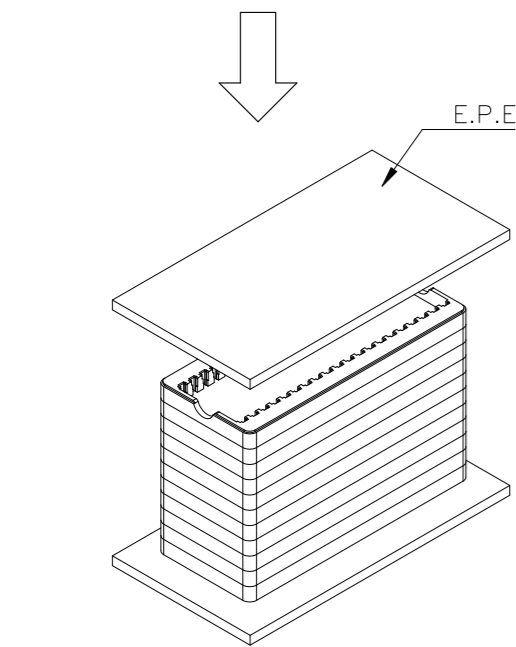
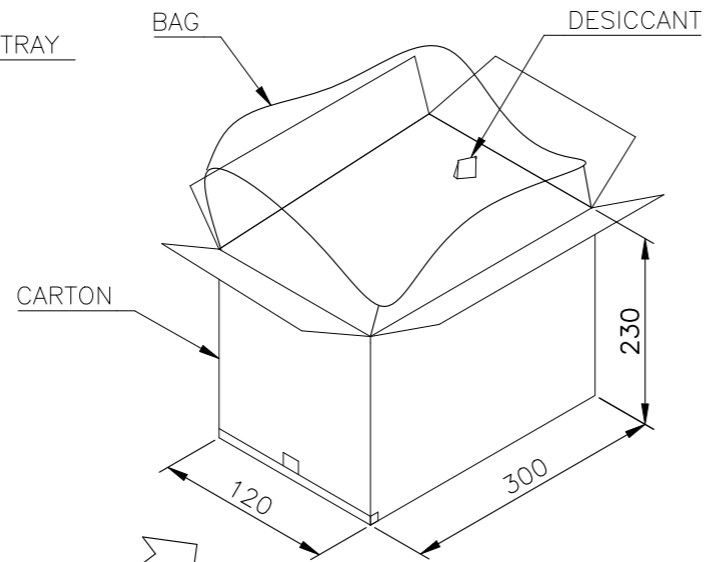
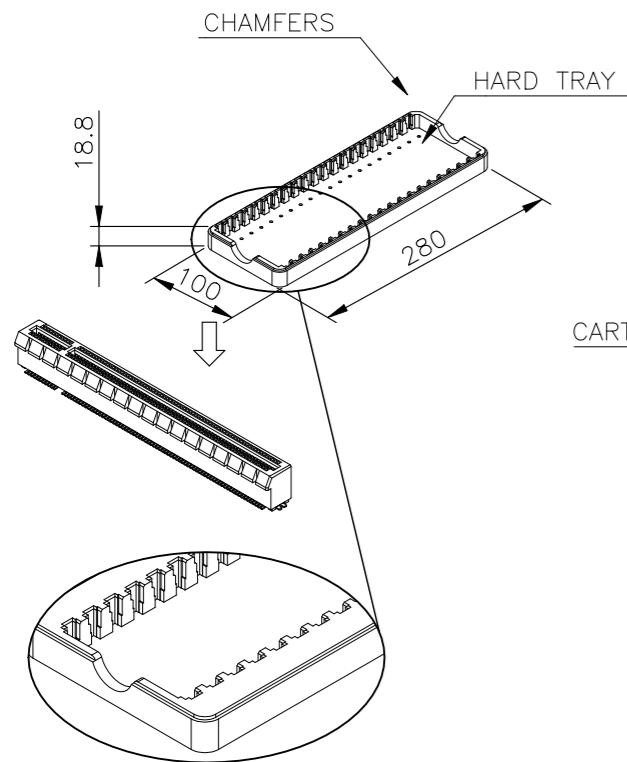
NAME				PCI EXPRESS CARD EDGE CONNECTOR VERTICAL, SMT TYPE			
SIZE	CAGE CODE	DRAWING NO	RESTRICTED TO				
A3	00779	C-2041366	-				
SCALE		SHEET		REV			
1:1		5 of 6		F2			

REVISIONS

P	LTR	DESCRIPTION	DATE	DWN	APVD
-	-	SEE SHEET 1	-	-	-

NOTES :
 PACKING MATERIAL MET TE SPEC TEC-138-702.
 * CADMIUM AND CADMIUM COMPOUNDS CONTENT:
 5 PPM UNDER (PLASTIC, RUBBER, INK, PIGMENT, PAINT)
 * LEAD, CADMIUM, CHROM VI AND MERCURY IN PACKAGING MATERIALS CONTENT: 100 PPM (COMBINED) UNDER.

1. MATERIAL :
 TRAY: HIPS, COLOR: BLACK.
 CARTON: CORRUGATED FIBER
 BOX: CORRUGATED FIBER
 TRANSPARENT BAG: PE,
 2. EACH BAG SHALL BE INCLUDED:
 * DESICCANT



UNTOOLED	-- KG	3.6 KG	20	10	2	400	164	2041366-8
	GROSS WEIGHT	NET WEIGHT	PCS/ TRAY	TRAY/ CARTON	CARTON/ BOX	PCS/ BOX	POS	PART NUMBER

THIS DRAWING IS A CONTROLLED DOCUMENT.		DWN J. CHEN 07APR2011	STE TE Connectivity Ltd.		
		CHK S. CHEN 07APR2011			
DIMENSIONS: mm		APVD W. KODAMA 07APR2011	NAME PCI EXPRESS CARD EDGE CONNECTOR VERTICAL, SMT TYPE		
TOLERANCES UNLESS OTHERWISE SPECIFIED:		PRODUCT SPEC 108-57870	RESTRICTED TO		
0 PLC ± -		APPLICATION SPEC	SIZE	CAGE CODE	DRAWING NO
1 PLC ± -		WEIGHT	A3	00779	C-2041366
2 PLC ± -			SCALE 1:1		
3 PLC ± -			SHEET 6 OF 6		
4 PLC ± -			REV F2		
ANGLES ± -					
MATERIAL			CUSTOMER DRAWING		
FINISH					