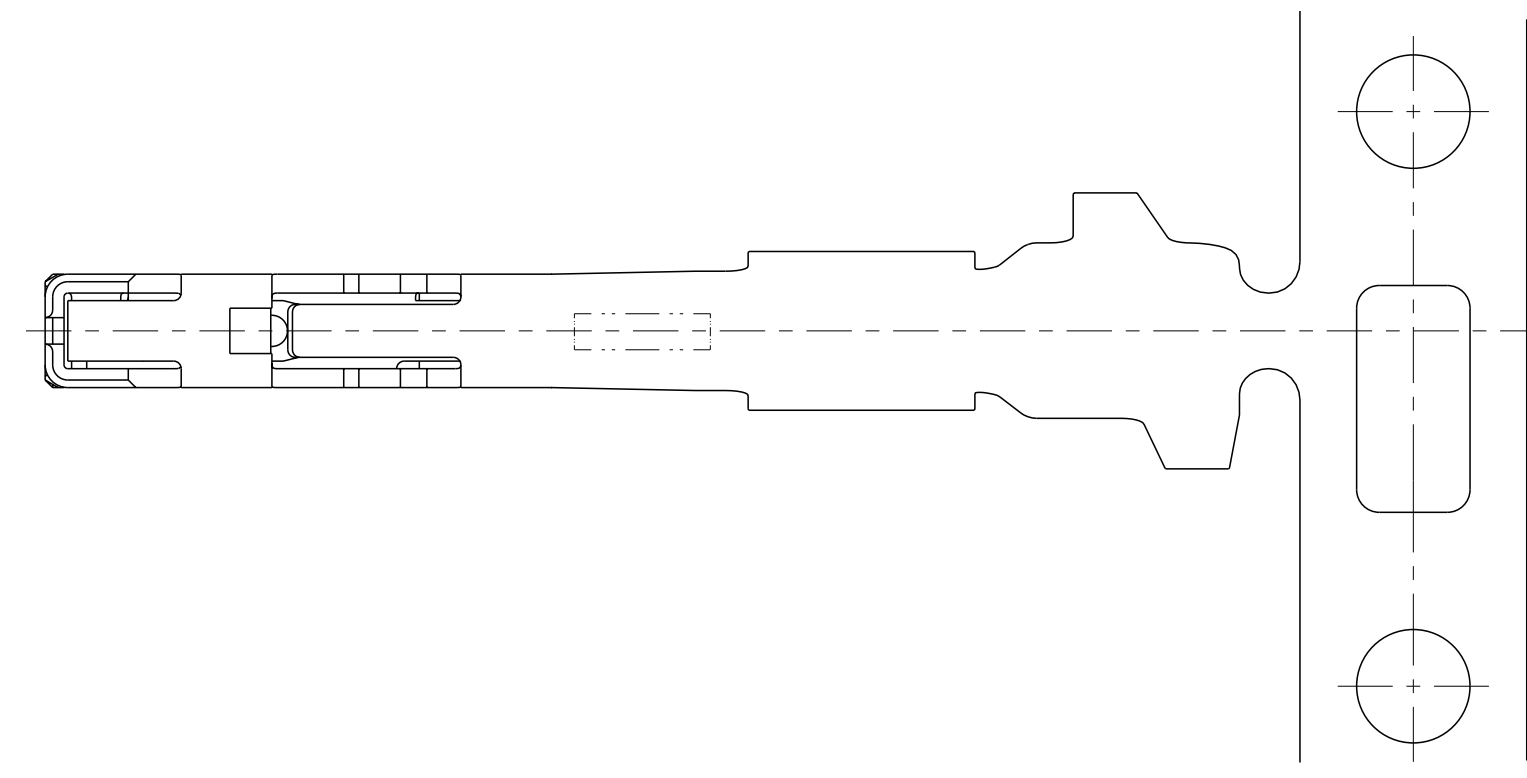
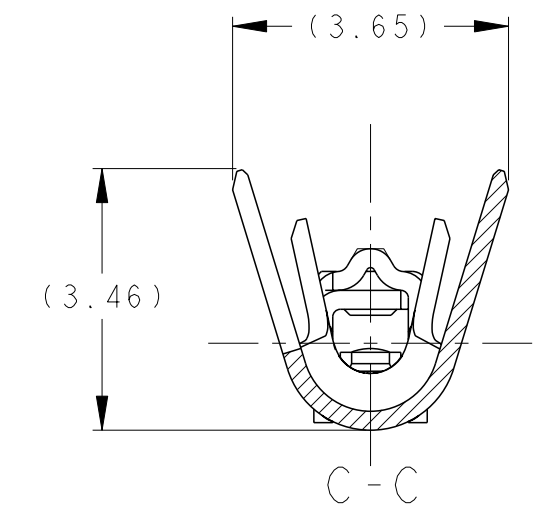
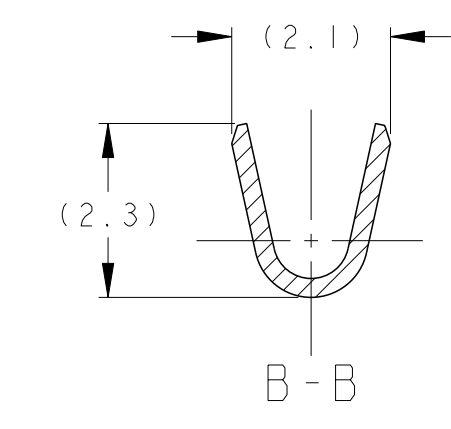
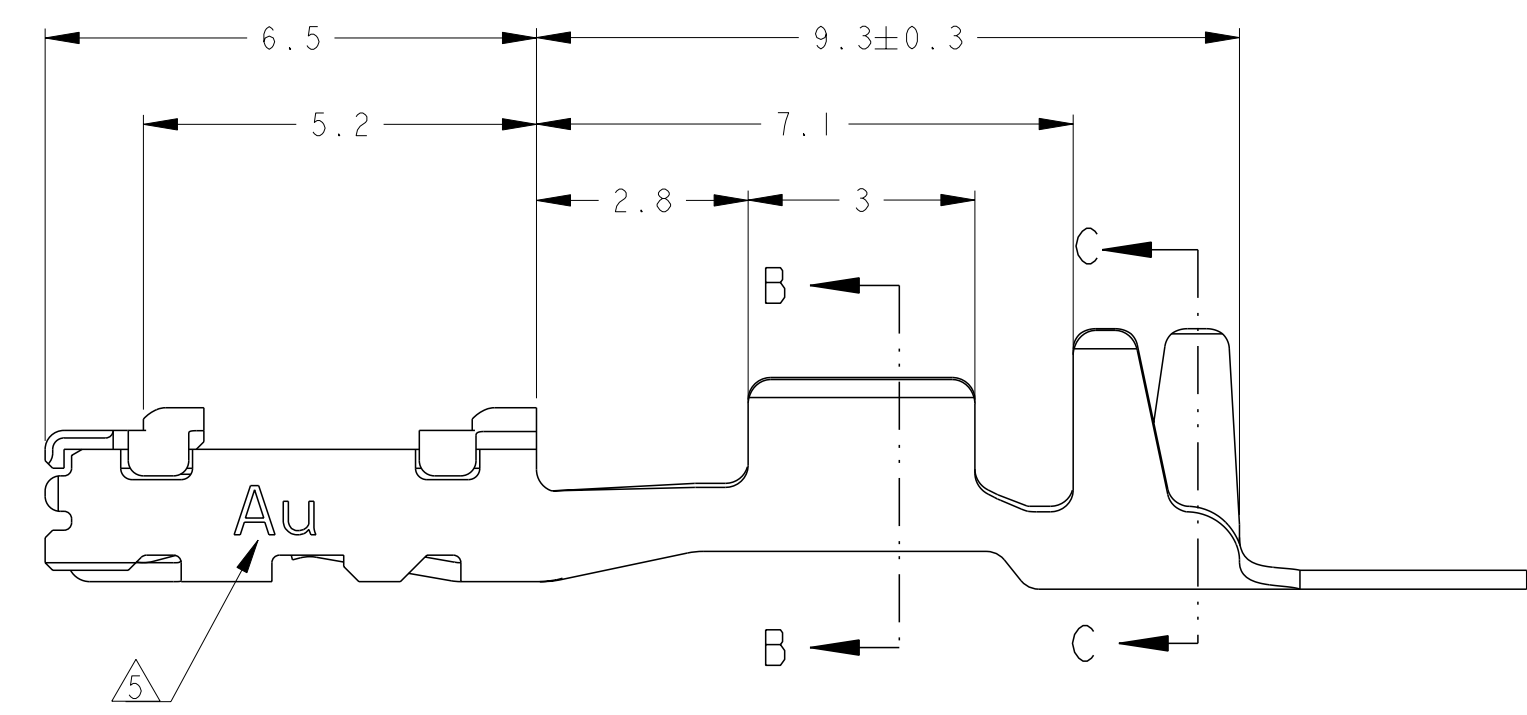
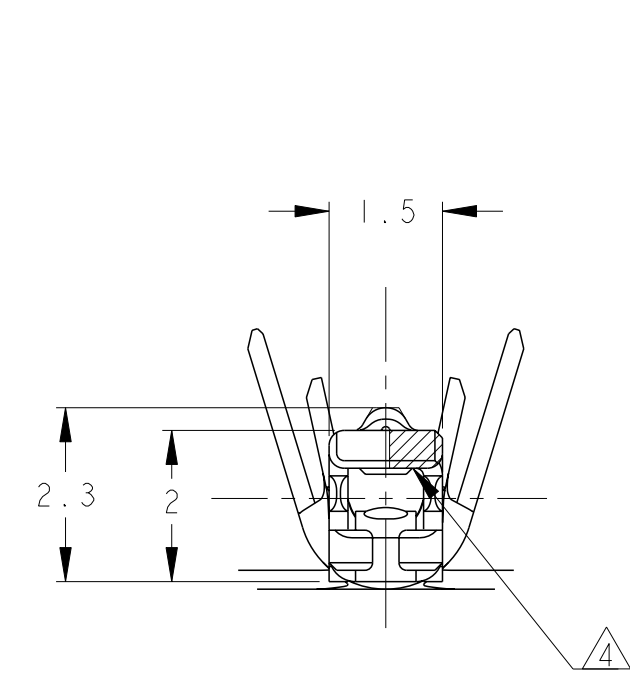
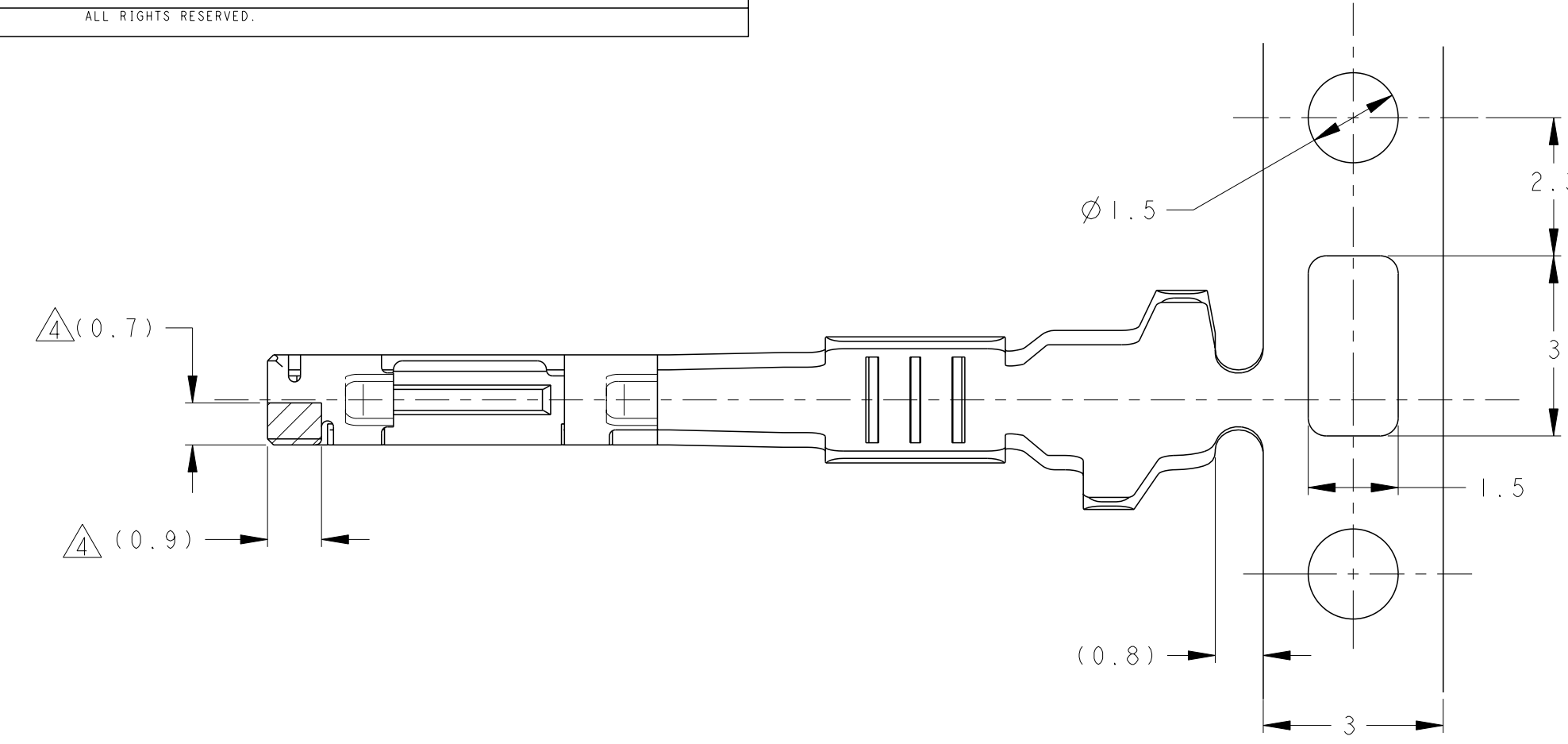


THIS DRAWING IS UNPUBLISHED. RELEASED FOR PUBLICATION AUG. 2012
 © COPYRIGHT 2012 ALL RIGHTS RESERVED.

LOC		DIST		REVISIONS			
P	LTR	DESCRIPTION	DATE	DWN	APVD		
	A	RELEASED	27AUG12	AY	HY		
	B	REVISED ECR-15-013494	18SEP15	KK	RK		



1. APPLICABLE WIRE RANGE;
AVSS/AVSSH/AVSSX/AESSX/CHFUS 0.5mm²
 2. APPLICATION SPEC; 114-5336
 3. APPLICATOR FEED; 7.6mm
4. GOLD PLATED AREA FOR DISCRIMINATION. (FOR 2040168-2)
 5. MARKING FOR IDENTIFICATION.

1. 適用電線;
AVSS/AVSSH/AVSSX/AESSX/CHFUS 0.5mm²
 2. 取付適用規格; 114-5336
 3. アプリケータ送りピッチ; 7.6mm
4. 識別用金めつき範囲を示す。(2040168-2)
 5. 識別用刻印

4 5	SELECTIVE GOLD, TIN	2040168-2
	PRE-TIN	2040168-1
	FINISH	PART NO

THIS DRAWING IS A CONTROLLED DOCUMENT.		DWN A. YAMAGUCHI 27AUG2012	STE TE Connectivity	
DIMENSIONS: 単位: 桁 mm		CHK R. KOMIYAMA 27AUG2012		
TOLERANCES UNLESS OTHERWISE SPECIFIED: 一般公差 ±0.2		APVD H. YAMAGAMI 27AUG2012	NAME SEALED 0.64 RECEPTACLE CONTACT L-SIZE	
0-PLC ±0.3		PRODUCT SPEC 108-5891	SIZE	
1-PLC ±0.3		APPLICATION SPEC 114-5336	CAGE CODE	
2-PLC ±0.10		WEIGHT 0.19 g	DRAWING NO C-2040168	
3-PLC ±0.001		CUSTOMER DRAWING	RESTRICTED TO	
4-PLC ±0.0001		SCALE 10:1	SHEET OF	
ANGLES ±3°00'		REV B		
FINISH 仕上				
MATERIAL 材料 COPPER Alloy				
SEE TABLE				