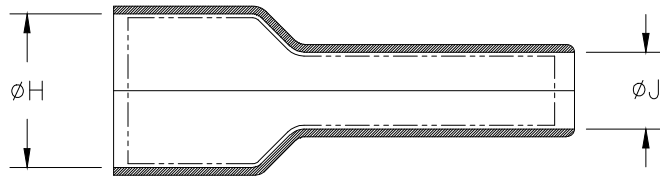
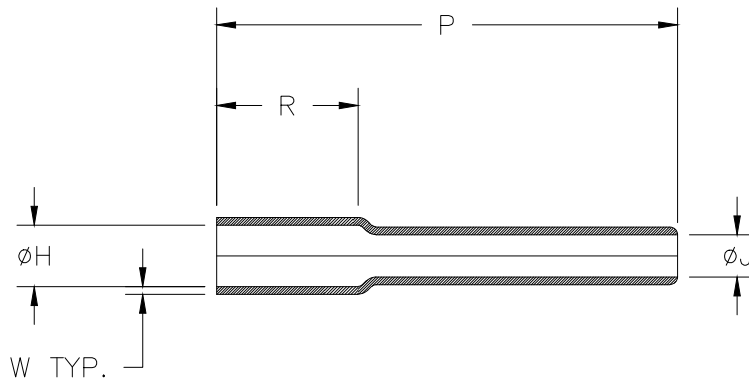


REVISIONS				
P	LTR	DESCRIPTION	DATE	APVD
	H	PRODUCTION ISSUE	05FEB2019	PNT MT



AS SUPPLIED



AFTER UNRESTRICTED RECOVERY

DIMENSIONS in millimetres  
[in inches, for reference]

Part No.	H		J		P	R	W	Weight	
	Min	Max	Min	MIN					Max
	a	b	a	a	b	b	b	b	
203A021	20.3 [.80]	8.1 [.32]	10.2 [.40]	6.6 [.26]	3.3 [.13]	61.0 [2.40]	19.1 [.75]	1.02 [.04]	1.36 [.003]


RELEASED FOR PUBLICATION

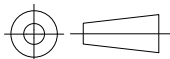
ALL RIGHTS RESERVED.

TE Connectivity Ltd.

COPYRIGHT

THIS DRAWING IS UNPUBLISHED.

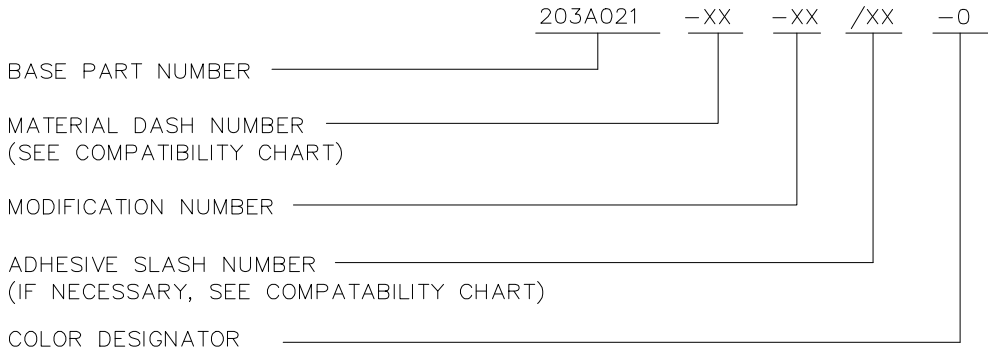
DIMENSIONS: mm [INCHES]	DWN	05FEB2019	MATERIAL	SEE SHEET 2	FINISH	-				
	CHK	05FEB2019	 TE Connectivity Ltd.							
TOLERANCES UNLESS OTHERWISE SPECIFIED:	N NAGAR	05FEB2019								
	APVD	05FEB2019	NAME	BOOT, COAX STRAIN RELIEF						
0 PLC ± -	PRODUCT SPEC	-	SIZE	A4	CAGE CODE	00779	DRAWING NO	C-203A021-XX-0	RESTRICTED TO	-
1 PLC ± -	APPLICATION SPEC	-	WEIGHT	-	SCALE	DNS	SHEET	1 OF 2	REV	H
2 PLC ± -			CUSTOMER DRAWING							
3 PLC ± -										
4 PLC ± -										
ANGLES ± -										



REVISIONS				
P	LTR	DESCRIPTION	DATE	APVD
-	-	SEE SHEET 1	-	-

COMPATIBILITY CHART				
MATERIAL DASH NO.	MATERIAL DESCRIPTION	RT SPEC	COATING SLASH NO.	COATING SPEC
-3	POLYOLEFIN, SEMI-RIGID	RT-301	/42;/86;/180	S1017;S1048;S1030
-4	POLYOLEFIN, FLEXIBLE	RT-1304	/42;/86;/180	S1017;S1048;S1030
-12	FLUOROELASTOMER, FLEXIBLE	RT-1312	N/A	N/A
-25	ELASTOMER, FLUID RESISTANT	RW-2070	/42;/86;/225	S1017;S1048;S1206
-100	POLYOLEFIN, SEMI-FLEXIBLE ZEROHAL	RW-2082	/86;/180	S1048;S1030

ORDERING INFORMATION



NOTES

- DIMENSIONS APPEARING IN TABLE ARE AS FOLLOWS:
  - a - AS SUPPLIED
  - b - AFTER UNRESTRICTED RECOVERY
- COATING IS OPTIONAL. AS SUPPLIED DIMENSIONS APPEARING IN TABLE ARE FOR UNCOATED PARTS. WHEN COATING IS ADDED, ENTRY DIAMETERS WILL BE REDUCED BY 1.5mm[.06] MAX.
- WEIGHT SHOW IN THE TABLE OF DIMENSIONS IS BASED ON POLYOLEFIN PART

THIS DRAWING IS UNPUBLISHED. ALL RIGHTS RESERVED. © COPYRIGHT - TE Connectivity Ltd.

DIMENSIONS: mm [INCHES]	DWN PRAVEEN N T	05FEB2019	MATERIAL	-	FINISH	-
	CHK N NAGAR	05FEB2019	TE Connectivity Ltd.			
TOLERANCES UNLESS OTHERWISE SPECIFIED:	APVD M TAYLOR	05FEB2019				
0 PLC ± -	PRODUCT SPEC	-	NAME BOOT, COAX STRAIN RELIEF			
1 PLC ± -	-	-	RESTRICTED TO			
2 PLC ± -	APPLICATION SPEC	-	SIZE	CAGE CODE	DRAWING NO	-
3 PLC ± -	-	-	A4	00779	C-203A021-XX-0	-
4 PLC ± -	WEIGHT	-	SCALE DNS SHEET 2 OF 2 REV H			
ANGLES ± -	CUSTOMER DRAWING					

