

CODE 61 - HEAT SHRINK BOOT BACKSHELL

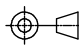

202M416-19C

SERIES _____
 ORDER NUMBER (TABLE 1) _____
 MATERIAL _____
 REFER TO CH00-0250-004
 FINISH _____
 REFER TO CH00-0250-004
 MODIFICATION CODE _____
 REFER TO CH00-0250-004 (2)

NOTES:

1. THIS PRODUCT IS DESIGNED TO TERMINATE A HEAT SHRINKABLE LIPPED BOOT TO A CONNECTOR.
2. FOR ADDITIONAL DIMENSIONS, ORDERING INFORMATION AND MODIFICATIONS, SEE CH00-0250-004.
3. BACKSHELL TO BE PERMANENTLY MARKED/BAGGED AND LABELLED WITH CODE IDENTIFICATION NUMBER AND PART NUMBER. (e.g. 06090-202M416-19B).
- (4) BACKSHELL MATES TO MIL-C-81511, SERIES 1, 2, 3 AND 4 CONNECTORS.

If this document is printed it becomes uncontrolled. Check for the latest revision

DRAWN	C.WALLACE	DATE 05/08/2015	 3RD ANGLE PROJECTION NOT TO SCALE	TITLE: <div style="text-align: center; font-size: 1.2em;">HEAT SHRINK BOOT BACKSHELL</div>	
CHECKED		05/08/2015		ASSY USED ON: <div style="text-align: center; font-size: 1.2em;">MIL-DTL-81511</div>	
APPROVED	K.SHEPPARD	02/09/2015	UNLESS OTHERWISE SPECIFIED ALL DIMENSIONS IN MILLIMETRES GENERAL TOL LINEAR +/-0.25MM ANGULAR +/- 1°		
APPROVED	H.SMITH	02/09/2015			
REVISIONS					
LTR	DESCRIPTION	DATE	APPROVED		
K	REVISED PER AD93074	07/22/93	E.GOLDY		
L	REVISED PER ECO-15-012672	02/09/2015	H.SMITH		
TE CAGE CODE: 06090 POLAMCO/TE CAGE CODE: U5792				TE CONNECTIVITY - POLAMCO LTD RESERVES THE RIGHT TO AMEND THIS DRAWING AND THE INFORMATION SET FORTH HEREON AT ANY TIME. USERS SHOULD INDEPENDENTLY EVALUATE THE SUITABILITY OF THE PRODUCT FOR THEIR APPLICATION.	DRAWING NO: 202M4XX
				DRAWING REV: L	SHT 1

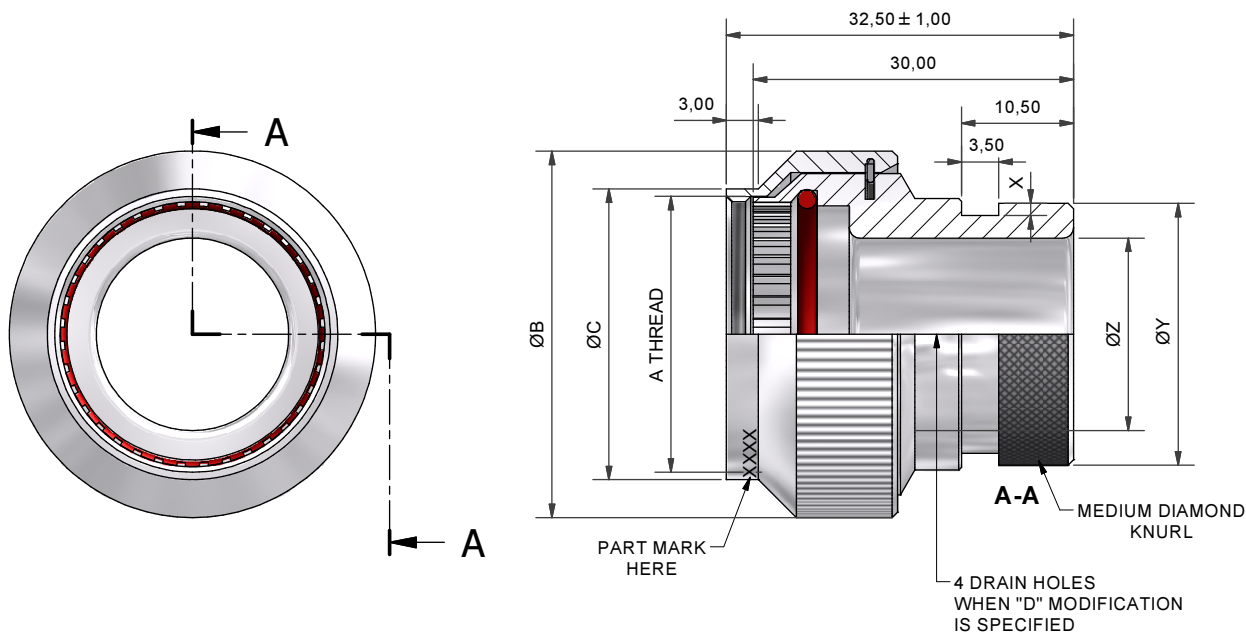
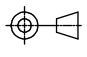
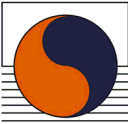


TABLE 1

SHELL SIZE COML	SHELL SIZE MIL	A THREAD	ØB MAX	ØC MAX	X +0,20/-0	ØY MAX	ØZ ±0,5
08	A	1/2-28 UNEF	21,6	14,17	1,12	13,5	6,7
10	B	5/8-28 UNEF	24,8	17,35	1,12	15,4	9,7
14	D	7/8-28 UNEF	31,1	23,70	1,12	21,3	14,9
16	E	1-28 UNEF	34,3	26,90	1,12	24,5	18,0
18	F	1 1/8-28 UNEF	37,5	30,05	1,12	26,5	20,0
20	G	1 1/4-28 UNEF	40,6	33,22	1,75	31,0	23,2
22	H	1 3/8-28 UNEF	43,8	36,40	1,75	34,5	26,4
24	J	1 1/2-28 UNEF	47,0	39,57	1,75	36,7	29,3

If this document is printed it becomes uncontrolled. Check for the latest revision

DRAWN	C.WALLACE	DATE	05/08/2015	 3RD ANGLE PROJECTION NOT TO SCALE	TITLE: HEAT SHRINK BOOT BACKSHELL	 Polamco TE connectivity
CHECKED		05/08/2015				
APPROVED	K.SHEPPARD	02/09/2015	UNLESS OTHERWISE SPECIFIED ALL DIMENSIONS IN MILLIMETRES GENERAL TOL LINEAR +/-0,25MM ANGULAR +/- 1°			
APPROVED	H.SMITH	02/09/2015				
REVISIONS					ASSY USED ON: MIL-DTL-81511	DRAWING NO: 202M4XX
LTR	DESCRIPTION	DATE	APPROVED	DRAWING REV: L		
K	REVISED PER AD93074	07/22/93	E.GOLDY			
L	REVISED PER ECO-15-012672	02/09/2015	H.SMITH			
TE CAGE CODE: 06090 POLAMCO/TE CAGE CODE: U5792					SHT 2	
TE CONNECTIVITY - POLAMCO LTD RESERVES THE RIGHT TO AMEND THIS DRAWING AND THE INFORMATION SET FORTH HEREON AT ANY TIME. USERS SHOULD INDEPENDENTLY EVALUATE THE SUITABILITY OF THE PRODUCT FOR THEIR APPLICATION.					DRAWING NO: 202M4XX	