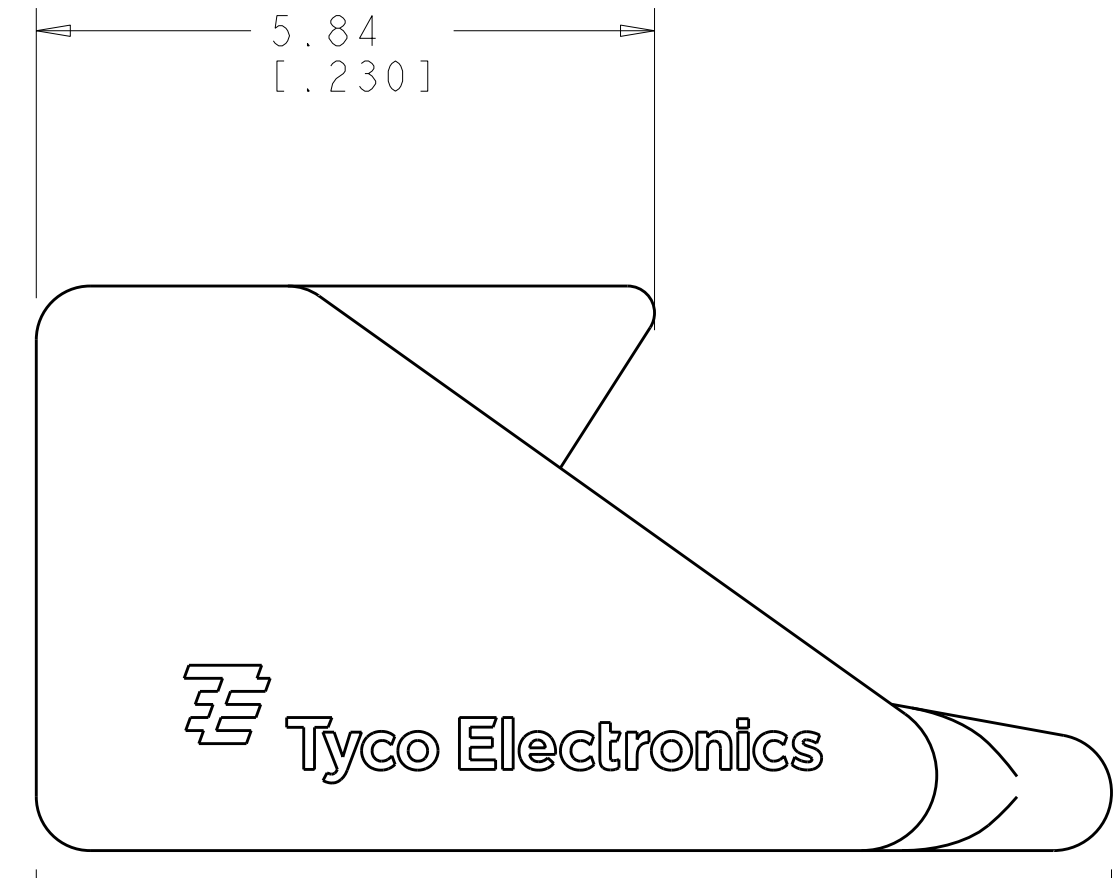
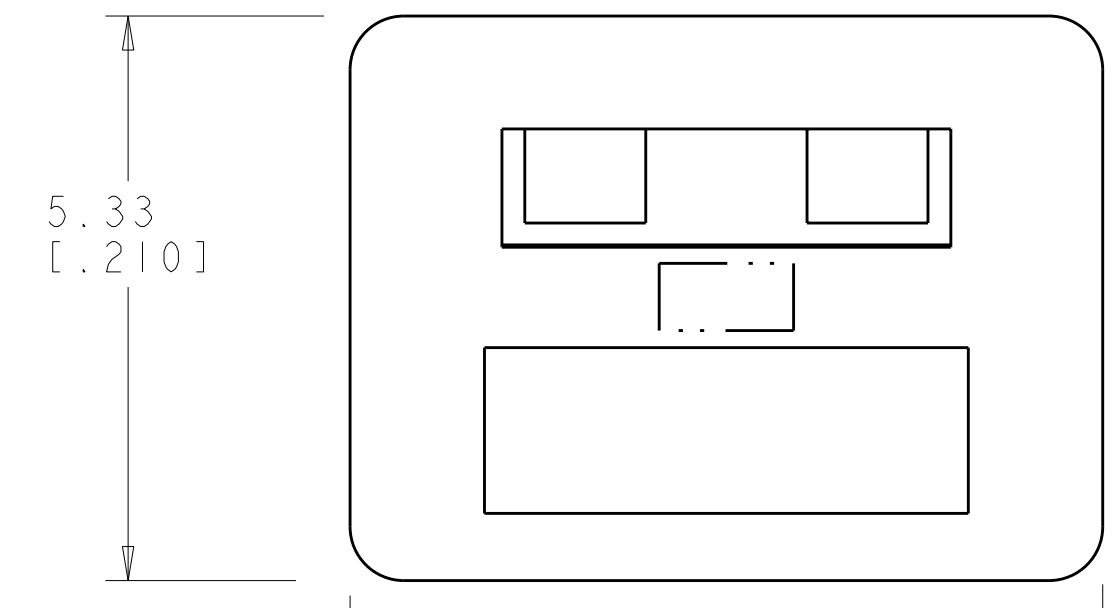
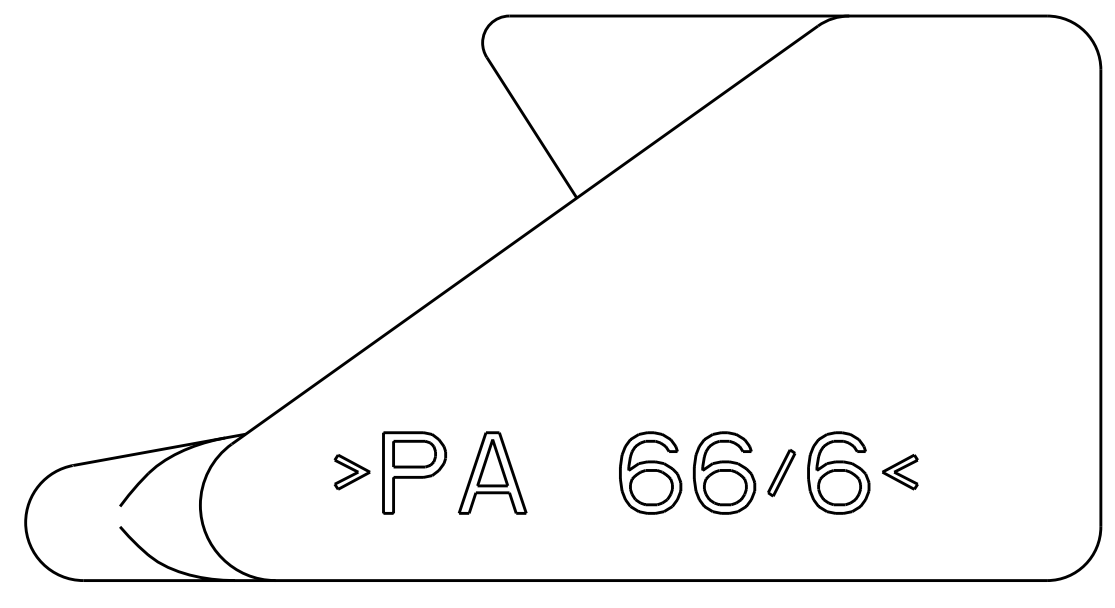
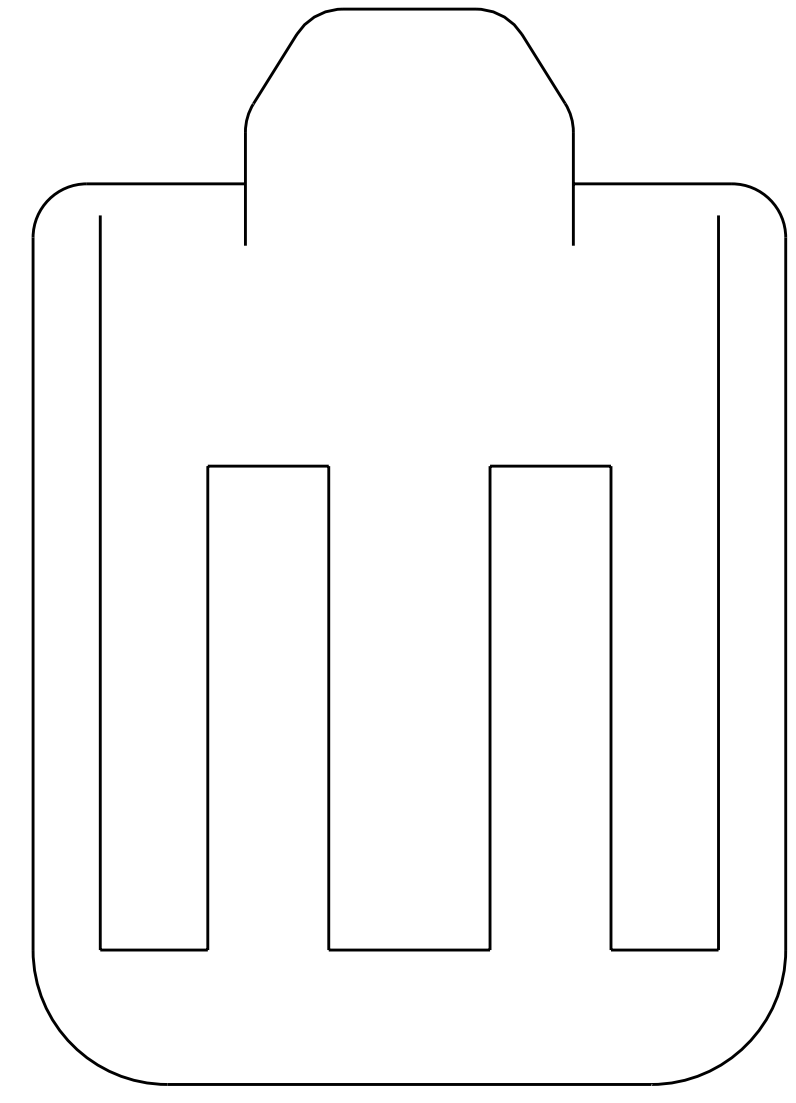
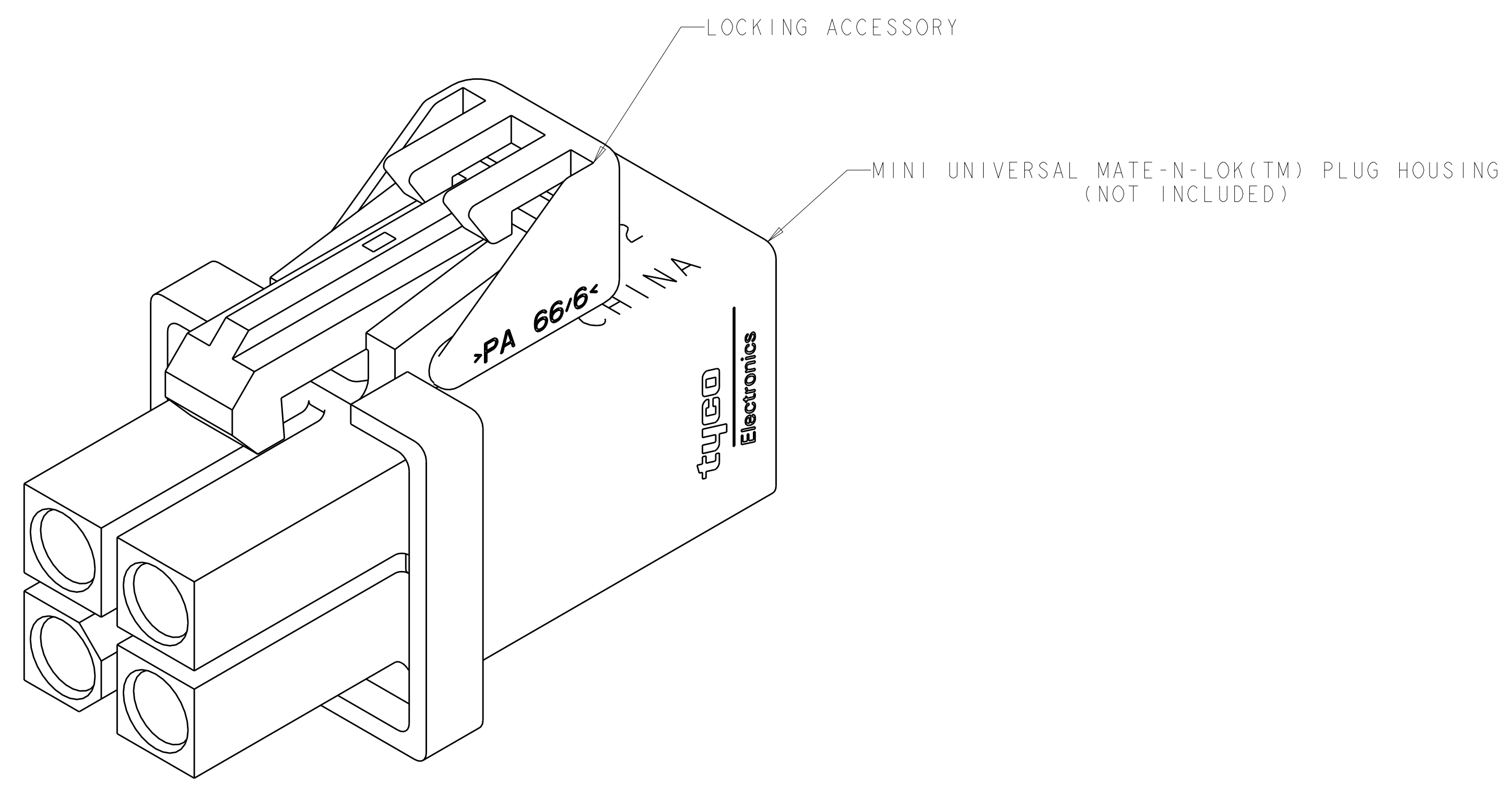
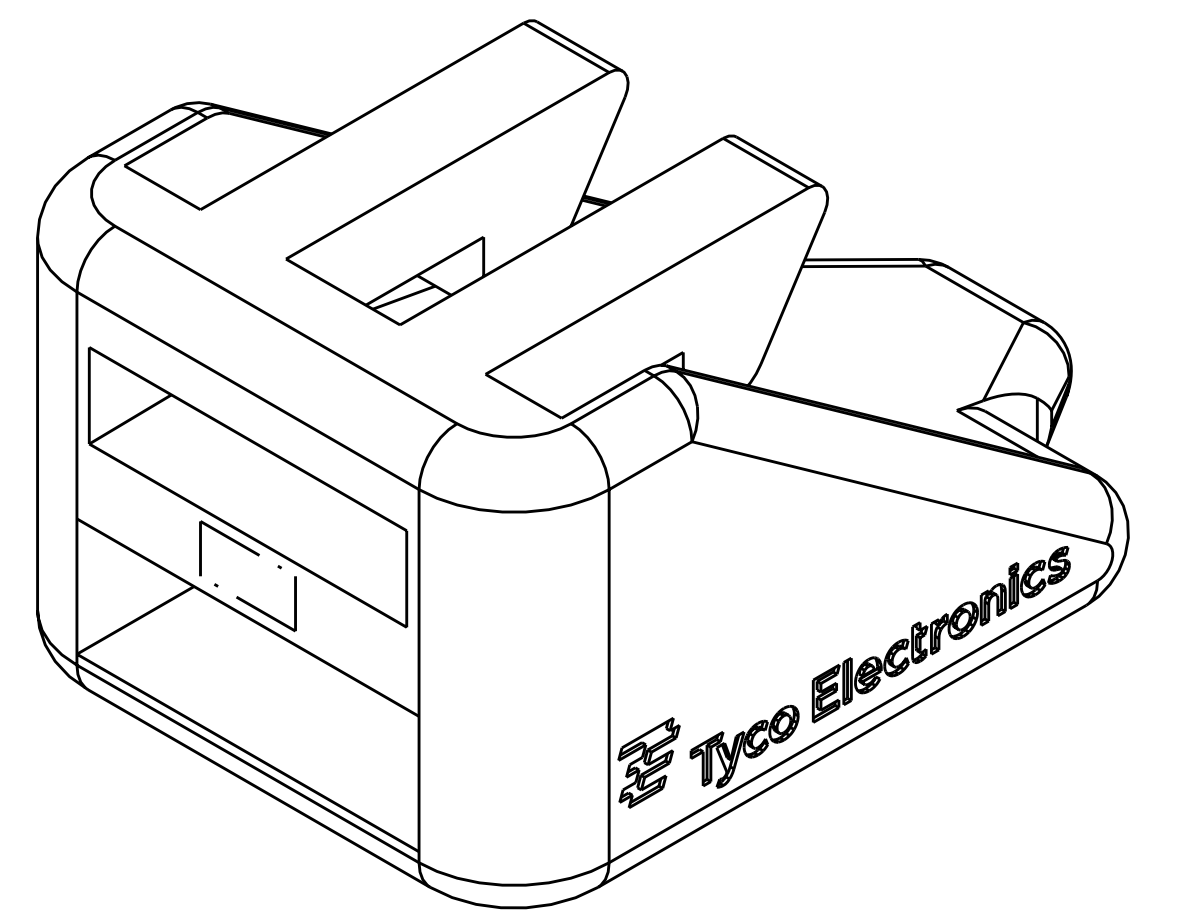


LOC	DIST	REVISIONS					
CM	00	P	LTB	DESCRIPTION	DATE	DWN	APVD
		A		ECO-08-007620	02APR2008	KW	CJ
		B		ECO-08-009713	17APR2008	KW	CJ
		BI		ECO-08-025143	09OCT2008	KW	CJ



Tyco Electronics



TYPICAL VIEW OF LOCKING ACCESSORY INSTALLED
 SCALE 8:1

GREEN	0.008 IN ³	1-2029060-5
NATURAL	0.008 IN ³	2029060-1
COLOR	VOLUME	PART NUMBER

DIMENSIONS: mm [INCHES]		TOLERANCES UNLESS OTHERWISE SPECIFIED:		DWN R. WHITAKER 22JAN2008		Tyco Electronics Harrisburg, PA 17105-3608	
0 PLC	±	0 PLC	±	CHK C. JONES 22JAN2008	NAME LOCK ACCESSORY, MIN UNIVERSAL MATE-N-LOK(TM)		RESTRICTED TO
1 PLC	±	1 PLC	±0.13 (1.005)	APVD C. JONES 22JAN2008	SIZE CAGE CODE DRAWING NO		
2 PLC	±	2 PLC	±	PRODUCT SPEC	A 100779 C=2029060		SHEET 1 OF 1 REV B1
3 PLC	±	3 PLC	±	APPLICATION SPEC	SCALE 14:1		
4 PLC	±	4 PLC	±	WEIGHT	CUSTOMER DRAWING		
ANGLES	±	FINISH	±0°30'				
MATERIAL NYLON, UL94V-0							

METRIC