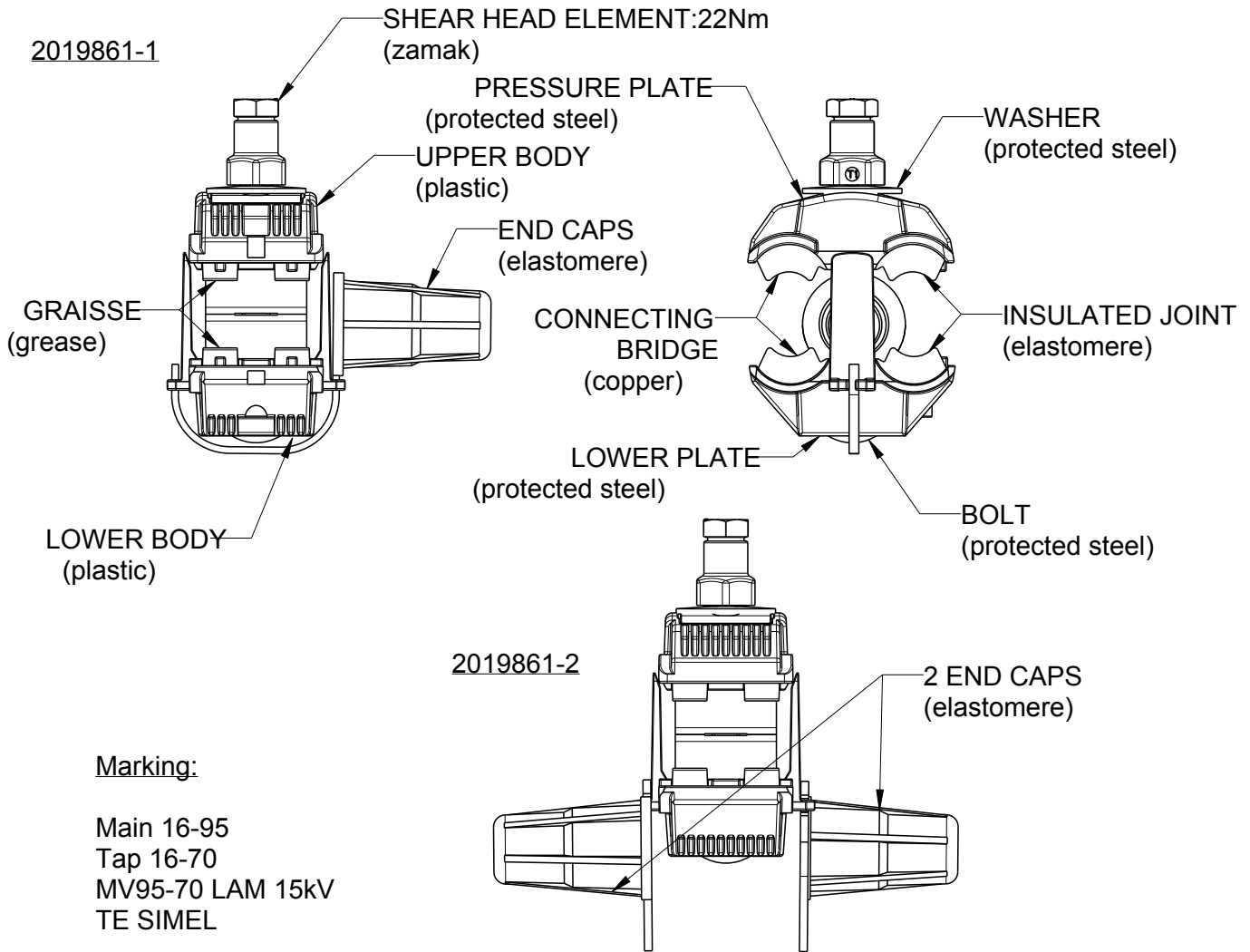


REVISIONS					
P	LTR REV	DESCRIPTION MODIFICATIONS	DATE	DWN DESS.	APVD APP.
	A	CREATION	04FEB2016	JB	AG




Marking:

Main 16-95
 Tap 16-70
 MV95-70 LAM 15kV
 TE SIMEL

REFERENCE	PN	CAPACITIES MAIN mm ²	CAPACITIES TAP mm ²	END CAP
MV95-70	2019861-1	16-95	16-70	1
MV95-70 LAM	2019861-2	16-95	16-70	2

2011
 RELEASED FOR PUBLICATION
 LIBRE A LA DIFFUSION
 ALL RIGHTS RESERVED.
 TOUS DROITS RESERVES.
 THIS DRAWING IS UNPUBLISHED.
 DIFFUSION RESTREINTE
 BY -
 COPYRIGHT 2011

TOLERANCES UNLESS OTHERWISE SPECIFIED: -
 TOLERANCES NON SPECIFIEES: -

DIMENSIONS: mm		DW/DESSINE BERLAND 04FEB2016	MATERIAL MATIERE -	FINISH FINITION -
 TOLERANCES UNLESS OTHERWISE SPECIFIED: TOLERANCES NON SPECIFIEES (SUIV NB DE DECIMALES): 0 PLC /DEC: ±0 1 PLC /DEC: ±0 2 PLC /DEC: ±0 3 PLC /DEC: ±0 4 PLC /DEC: ±0 ANGLES ± 		CHK/VERIFIE SHI -	 TE Connectivity	
		APVD/APPROUVE MITCHELL -		
		PRODUCT SPEC SPEC. PRODUIT -	NAME TITRE MV95-70 MV95-70 LAM	
		APPLICATION SPEC SPEC. APPLICATION -	SIZE FORMAT A4	CAGE CODE -
WEIGHT MASSE APPROX. -		CUSTOMER DRAWING /PLAN CLIENT		
		UNIQUEMENT POUR REFERENCE	SCALE ECHELLE 1:3	SHEET FEUILLE 1 OF DE 1
				REV A