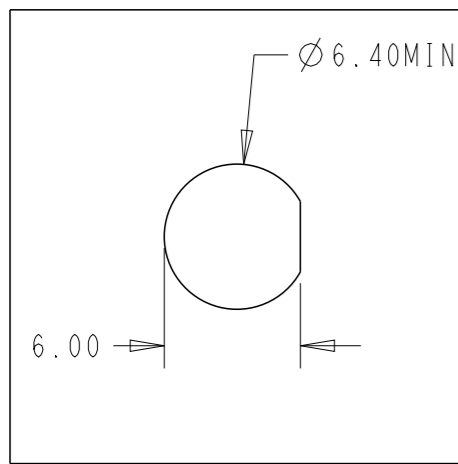
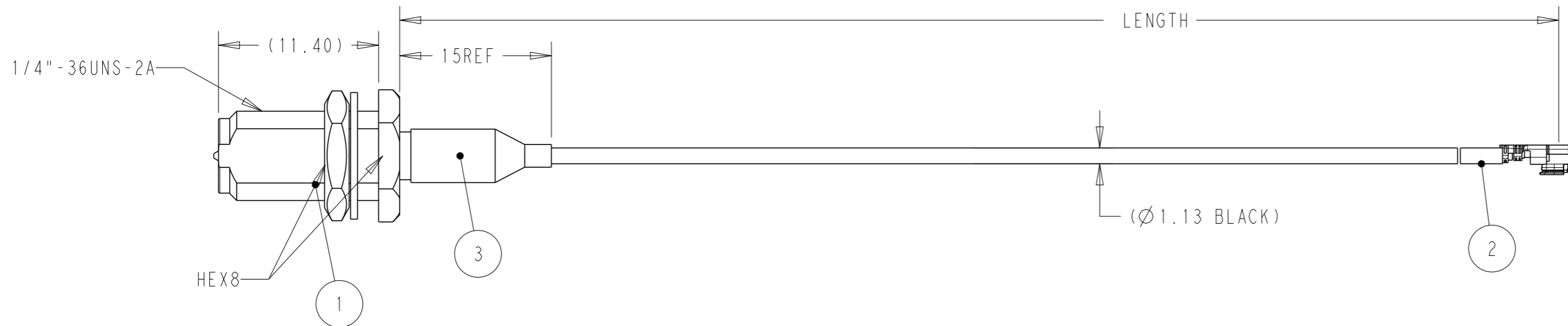
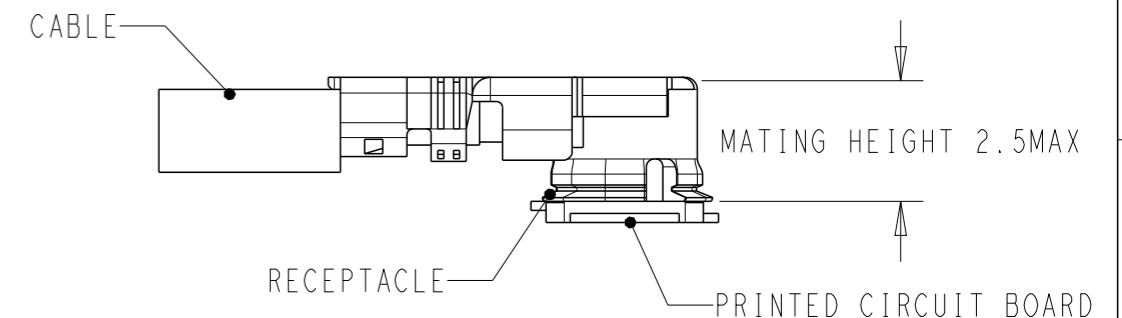


| P | LTR | DESCRIPTION | DATE | DWN | APVD |
|---|-----|---------------|-----------|-----|------|
| | 2 | ECR-22-136185 | 18APR2022 | JZ | WKH |
| | | | | | |
| | | | | | |



RECOMMENDED PANEL HOLE



- NOTES:
- MATERIAL AND PROCESSING MUST MEET REQUIREMENTS OF TEC-138-702
 - SMA BULKHEAD NEED ASSEMBLY NUT AND WASHER
 - PRODUCT RATING:
TEMPERATURE: -45°C TO +85°C
VOLTAGE: 30V (RMS)
CHARACTERISTIC IMPEDANCE: 50 OHMS Normal
FREQUENCY RANGE: DC TO 9GHz
BEND RADIUS: 5MM MIN
 - CABLE ASSEMBLY TO BE 100% OPEN AND SHORT TESTED
 - SMA INTERFACE FOLLOW IEC 60169-15
UMCC GEN1 CAN MATE WITH I-PEX MHF1 SERIES AND HIROSE U.FL SERIES

| | |
|-------------|--------|
| 2016693-9 | 500±5 |
| 2016693-8 | 450±5 |
| 2016693-7 | 350±5 |
| 2016693-6 | 300±3 |
| 2016693-5 | 250±3 |
| 2016693-4 | 200±3 |
| 2016693-3 | 150±3 |
| 2016693-2 | 100±3 |
| 2016693-1 | 50+3 |
| PART NUMBER | LENGTH |

| PC | Q'TY | UNIT | DESCRIPTION | ITEM |
|----|------|------|--|------|
| | 1 | | HEAT SHRINK TUBE | 3 |
| | 0.5 | | RF CA,UMCC GEN1 BOTH END, WITH 1.13CABLE | 2 |
| | 1 | | RP-SMA BULKHEAD, FOR 1.13 CABLE | 1 |

| | | | | | | | | | | | | | | | | |
|--|---------|-----------------------------|---|-----------------|------|-------|-------|-------|--------|-------|---------|--------|----|----------------|---------------|--|
| THIS DRAWING IS A CONTROLLED DOCUMENT. | | DWN 20FEB2019 Cedar Liu | | | | | | | | | | | | | | |
| DIMENSIONS: mm | | CHK 04MAR2019 Roger Song | | | | | | | | | | | | | | |
| TOLERANCES UNLESS OTHERWISE SPECIFIED: | | APVD - Roger Song | NAME RF CA, RP-SMA BULKHEAD TO UMCC GEN1 WITH 1.13 CABLE | | | | | | | | | | | | | |
| <table border="1"> <tr><td>0 PLC</td><td>±-</td></tr> <tr><td>1 PLC</td><td>±0.5</td></tr> <tr><td>2 PLC</td><td>±0.13</td></tr> <tr><td>3 PLC</td><td>±0.013</td></tr> <tr><td>4 PLC</td><td>±0.0001</td></tr> <tr><td>ANGLES</td><td>±-</td></tr> </table> | | 0 PLC | ±- | 1 PLC | ±0.5 | 2 PLC | ±0.13 | 3 PLC | ±0.013 | 4 PLC | ±0.0001 | ANGLES | ±- | PRODUCT SPEC - | RESTRICTED TO | |
| 0 PLC | ±- | | | | | | | | | | | | | | | |
| 1 PLC | ±0.5 | | | | | | | | | | | | | | | |
| 2 PLC | ±0.13 | | | | | | | | | | | | | | | |
| 3 PLC | ±0.013 | | | | | | | | | | | | | | | |
| 4 PLC | ±0.0001 | | | | | | | | | | | | | | | |
| ANGLES | ±- | | | | | | | | | | | | | | | |
| MATERIAL TBD | | APPLICATION SPEC - | SIZE A3 | CAGE CODE 00779 | | | | | | | | | | | | |
| FINISH - | | WEIGHT - | DRAWING NO C-2016693 | | | | | | | | | | | | | |
| finish_spec_2 | | RESTRICTED CUSTOMER | SCALE 1:1 | SHEET 1 OF 1 | | | | | | | | | | | | |
| | | | | REV 2 | | | | | | | | | | | | |