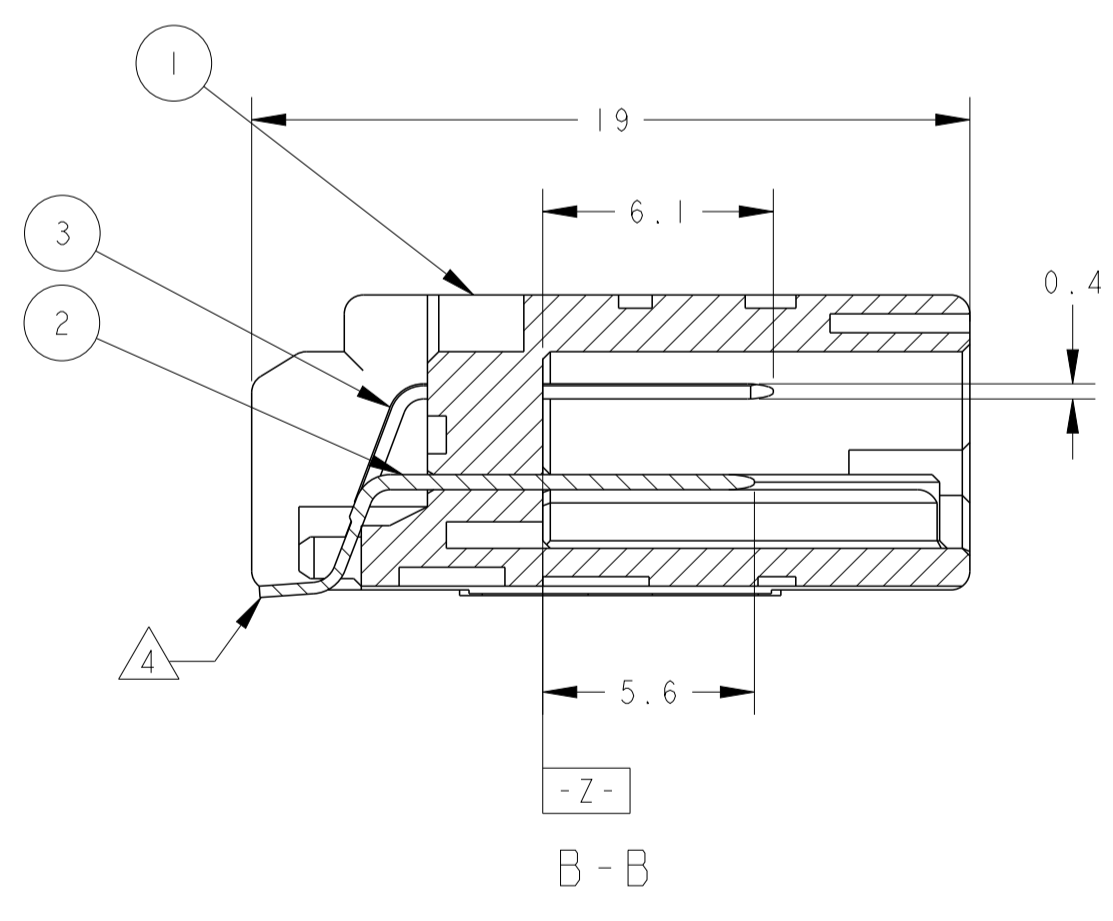
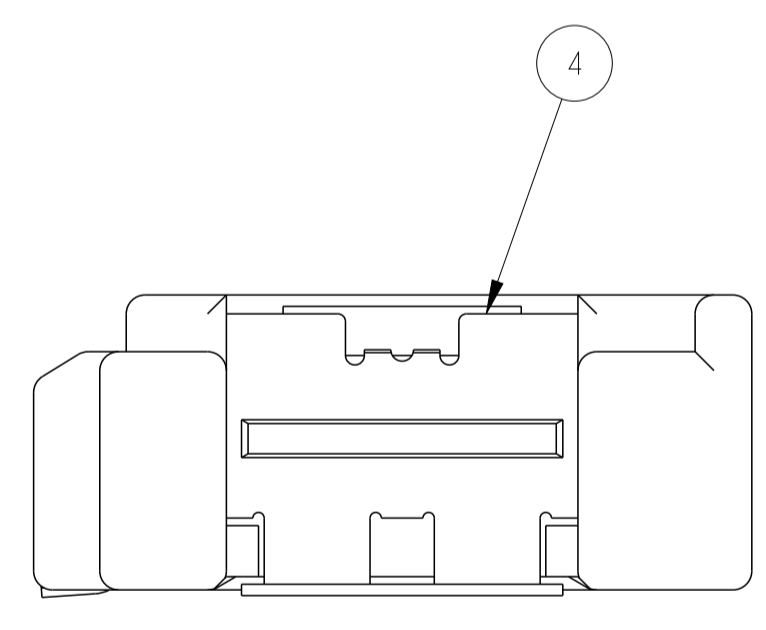
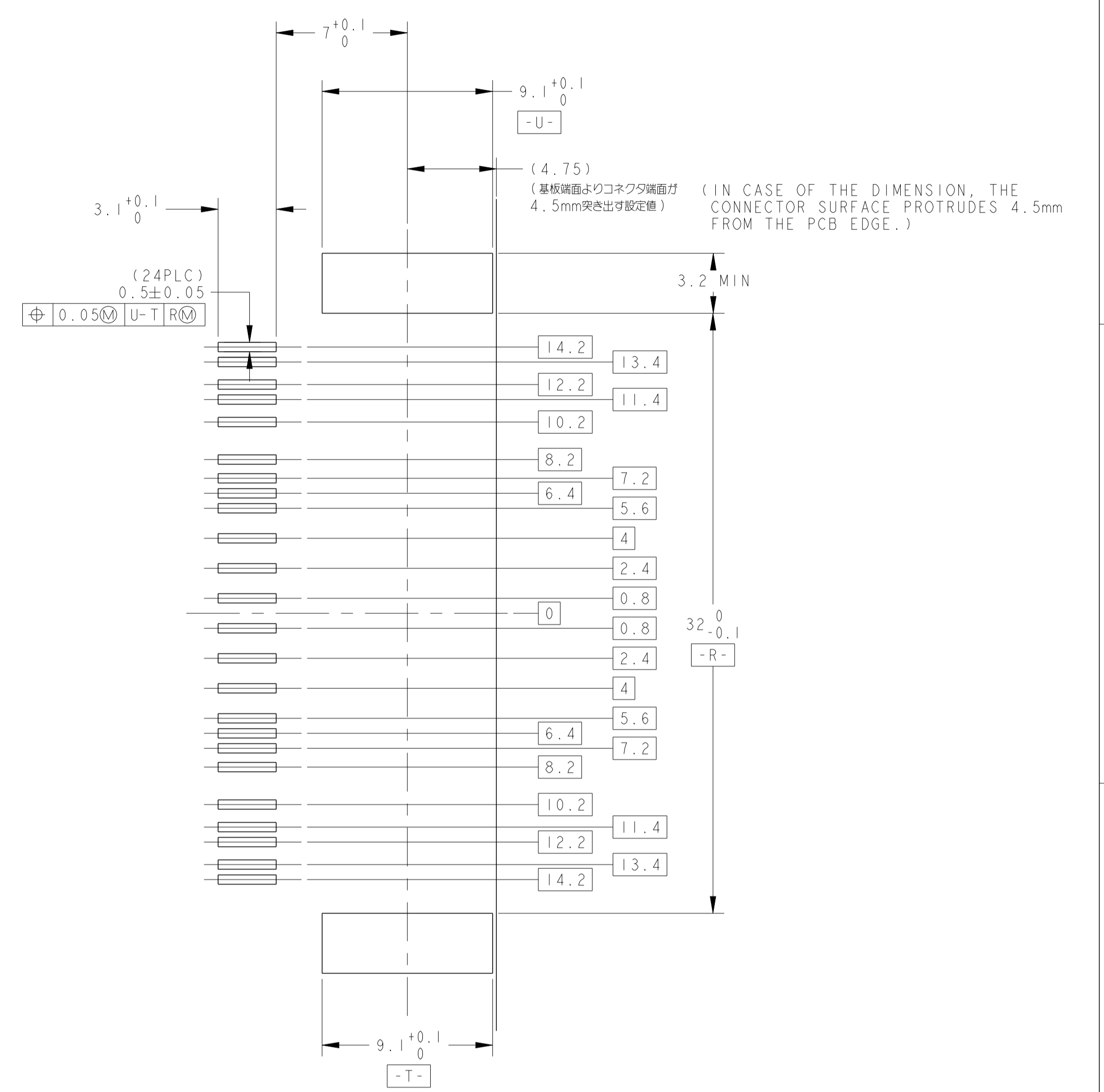
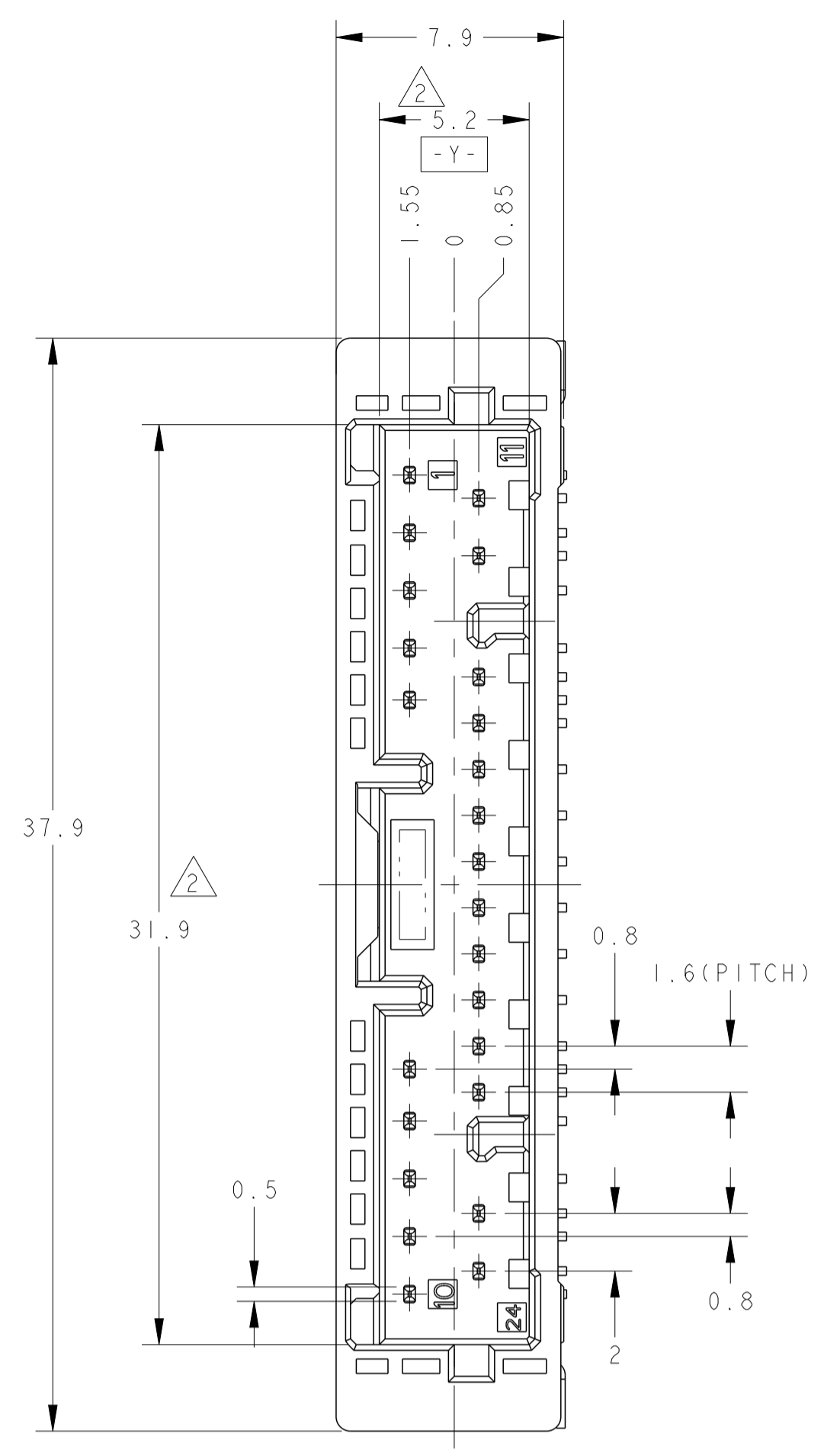
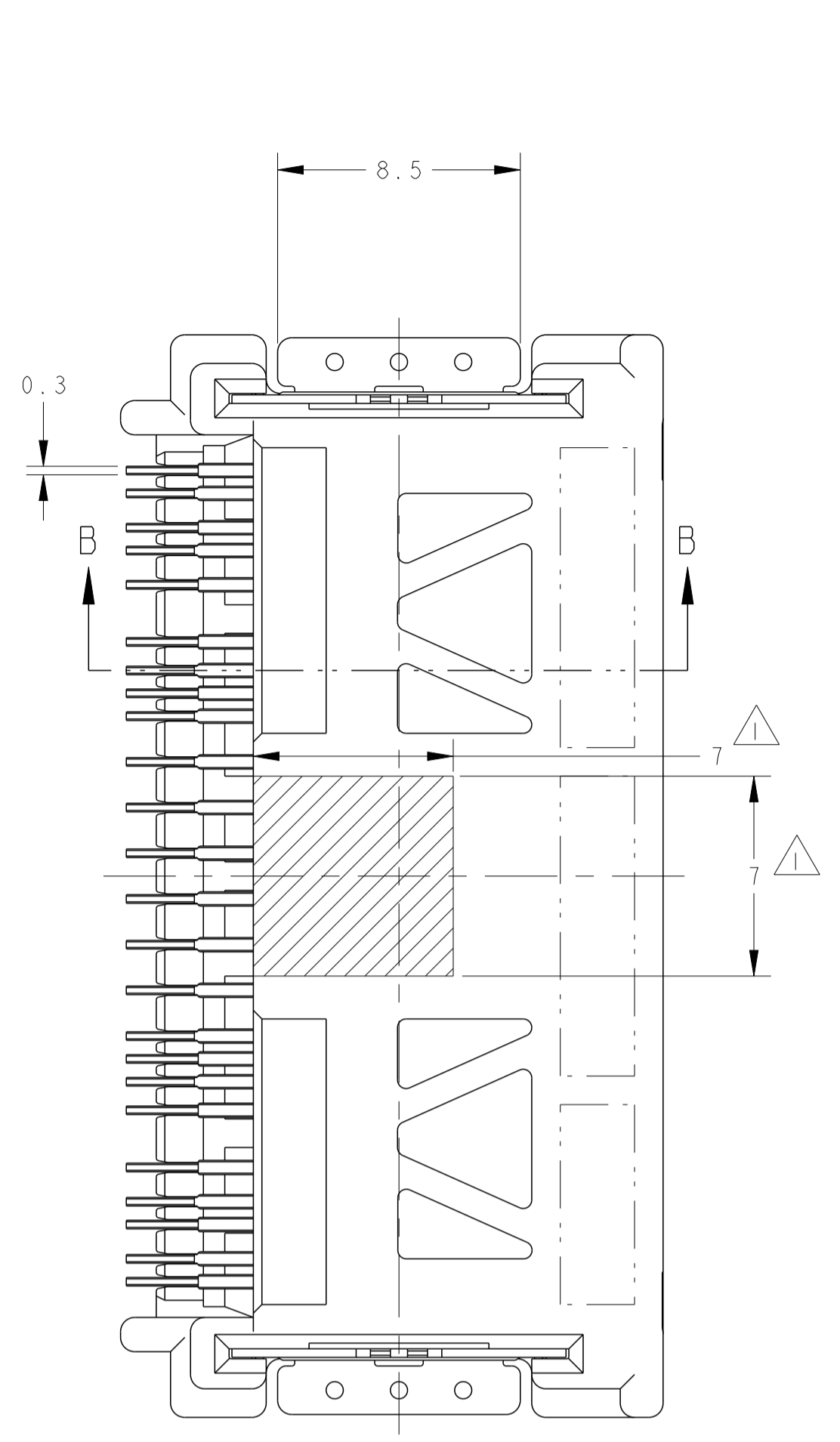


| LOC | | DIST | | REVISIONS | | | | |
|-----|-----|-------------|---------------|-----------|------|----|--|--|
| P | LTN | DESCRIPTION | DATE | DWN | APVD | | | |
| A | | RELEASED | ECR-11-010057 | 18MAY11 | YS | HY | | |
| A1 | | REVISED | ECR-16-000301 | 25JAN16 | TM | KK | | |
| A2 | | REVISED | ECR-21-113033 | 08SEP21 | TM | KK | | |
| A3 | | REVISED | ECR-23-186531 | 07SEP2023 | RM | KK | | |



フロント基板取付寸法
DIMENSION FOR P.C. BOARD

- △ 吸着面。この範囲で吸着のこと。
ATTACHMENT SURFACE, ADSORB IT WITHIN THIS AREA.
- △ -Z- 面より6mmの位置にて測定
MEASURED AT 6mm FROM -Z-
- 3. 本製品の取扱は取扱説明書NO.411-78199に従うこと。
HANDLING OF THIS PART SHOULD FOLLOW INSTRUCTION SHEET NO.411-78199.
- △ コプラナリティ 0.1MAX.
COPLANARITY 0.1 MAX.

| PAPER BOX タンボール箱 | PAPER BOX タンボール箱 | PLASTIC 通孔箱 | OUTER 外装 | PACKING STYLE 梱包形態 | | |
|----------------------|----------------------|-------------|--------------|---------------------------------------------|-------------|-----|
| SAME AS 2013029-4 | SAME AS 2013029-4 | 2013029-4 | INNER 内装 | PART NUMBER/LASER MARKING レーザーマーキングの付かないタイプ | | |
| | | 2 | POST-TIN | COPPER ALLOY | SOLDER PEG | 4 |
| | | 10 | POST-TIN | COPPER ALLOY | 0.50 TAB(L) | 3 |
| | | 14 | POST-TIN | COPPER ALLOY | 0.50 TAB(S) | 2 |
| 2013029-9 | 2013029-5 | 2013029-4 | COLOR/FINISH | MATERIAL | NAME | NO. |
| | | | BLACK | LCP GF 40% | 24P CAP HSG | 1 |

THIS DRAWING IS A CONTROLLED DOCUMENT.

DIMENSIONS: mm

TOLERANCES UNLESS OTHERWISE SPECIFIED:
 0-PLC ±0.3
 1-PLC ±0.1
 2-PLC ±0.05
 3-PLC ±0.01
 4-PLC ±0.001
 ANGLES ±3°00'

MATERIAL: SEE TABLE

FINISH: SEE TABLE

WEIGHT: 4.27 g

CUSTOMER DRAWING

DWN: T. SUEMITSU 18MAY11
 CHK: R. KOMIYAMA 18MAY11
 APVD: H. YAMAGAMI 18MAY11
 PRODUCT SPEC: 108-78208
 APPLICATION SPEC: 114-5379

STE TE Connectivity

NAME: CAP ASSEMBLY KEY TYPE-A, NON BOSS TYPE, 24POSITION, SMT TYPE, 0.50 SERIES

SIZE: A100779 C=2013029

RESTRICTED TO: -

SCALE: 5:1 SHEET 1 OF 1 REV: A3