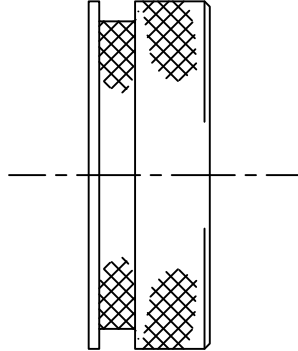


REVISIONS			
LTR	DESCRIPTION	DATE	APPROVED
B1	REVISED PER ECO-14-008364	03JUN14	I. MYONG




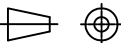
FIXED ADAPTER

NOTES

1. THIS PRODUCT IS DESIGNED TO TERMINATE A HEAT SHRINKABLE LIPPED BOOT TO A CONNECTOR – SEE NOTE 4.
- ② SEE SHEET 2 FOR TABLE OF DIMENSIONS, PART NUMBERING SYSTEM AND ORDERING INFORMATION.
3. ADAPTER TO BE BAGGED AND LABELLED WITH CODE IDENTIFICATION NUMBER AND PART NUMBER. (e.g. 06090-200Z1670-19B-YYWW).
- ④ ADAPTER MATES TO: MIL-DTL-38999 SERIES III AND IV, CLASS C, F, K AND W, D38999/20, /24, /26, /40, /46 AND /47 CONNECTORS. WHEN SO MATED IT SHALL PROVIDE A WATER-TIGHT SEAL MEETING THE REQUIREMENTS OF SAE-AS85049, PARA 3.5.7.
5. FOR ALTERNATIVE MATERIALS/FINISHES CONTACT TYCO ELECTRONICS.

©2014 TE CONNECTIVITY LTD. FAMILY OF COMPANIES. ALL RIGHTS RESERVED  
 TE CONNECTIVITY (LOGO) AND TE (LOGO) ARE TRADEMARKS.  
 OTHER LOGOS, PRODUCT AND/OR COMPANY NAMES MAY BE TRADEMARKS OF THEIR RESPECTIVE OWNERS.

**Raychem Adapters  
 CUSTOMER DRAWING**

UNLESS OTHERWISE SPECIFIED, DIMENSIONS ARE IN INCHES. METRIC DIMENSIONS ARE IN BRACKETS AS REFERENCE.	DRAWN	DATE	 TE CONNECTIVITY		
	IRT	FEB01			
TYCO ELECTRONICS RESERVES THE RIGHT TO CHANGE THIS DRAWING AT ANYTIME. USERS SHOULD EVALUATE THE SUITABILITY OF THE PRODUCT FOR THEIR APPLICATION.	CHECKED	DATE			TITLE
	KJW	FEB01			
DECIMAL TOLERANCES: .XXX ± - .XX ± - .X ± - ANGULAR TOLERANCE: .X ± -	APPROVED	DATE	FIXED ADAPTER (CODE 40)		
	KJW	FEB01			
CAD FILE NAME: 200Z1620_1700_CD	THIRD ANGLE PROJECTION:	SIZE	CAGE	DWG. NO.	REV
		A	06090	200Z1620_TO_1700	B1
DO NOT SCALE THIS DRAWING			SHEET 1 OF 2		

O-RING - SILICONE

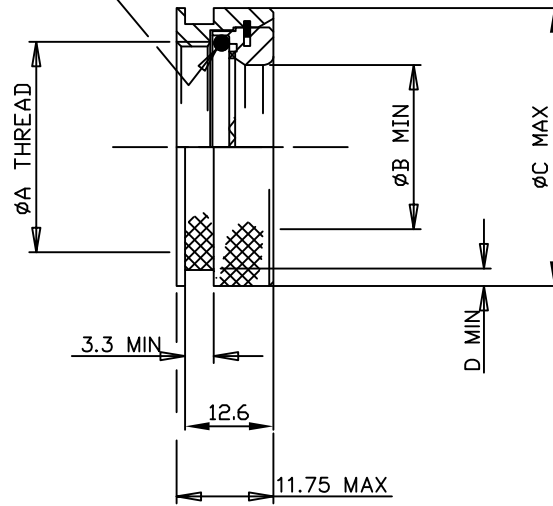
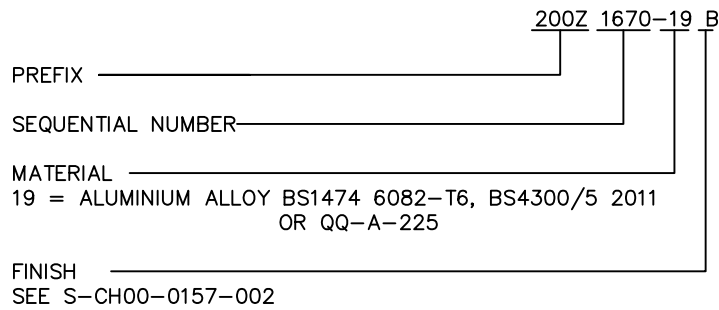


TABLE 1

PART NUMBER	SHELL SIZE		ØA THREAD RH METRIC CLASS 6H	ØB MIN	ØC MAX	D MIN
	COM	MIL				
200Z1620	9	A	M12 x 1.0	6.9	18.3	1.15
200Z1630	11	B	M15 x 1.0	10.4	21.3	1.15
200Z1640	13	C	M18 x 1.0	13.1	24.5	1.15
200Z1650	15	D	M22 x 1.0	16.4	31.0	1.75
200Z1660	17	E	M25 x 1.0	19.6	33.5	1.75
200Z1670	19	F	M28 x 1.0	22.4	37.5	1.75
200Z1680	21	G	M31 x 1.0	25.6	39.5	1.75
200Z1690	23	H	M34 x 1.0	28.6	42.0	1.75
200Z1700	25	J	M37 x 1.0	31.1	45.0	1.75

PART NUMBERING SYSTEM



**Raychem Adapters  
CUSTOMER DRAWING**

	DO NOT SCALE THIS DRAWING	SIZE	CAGE	SHEET	DWG. NO.	REV
		A	06090	2 OF 2	200Z1620_TO_1700	B1